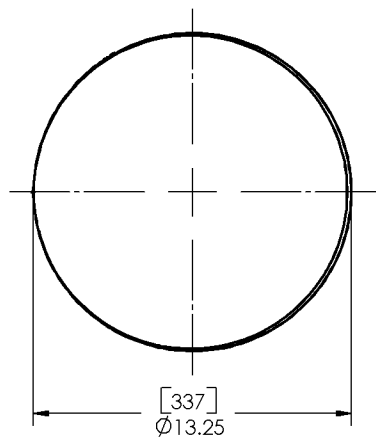
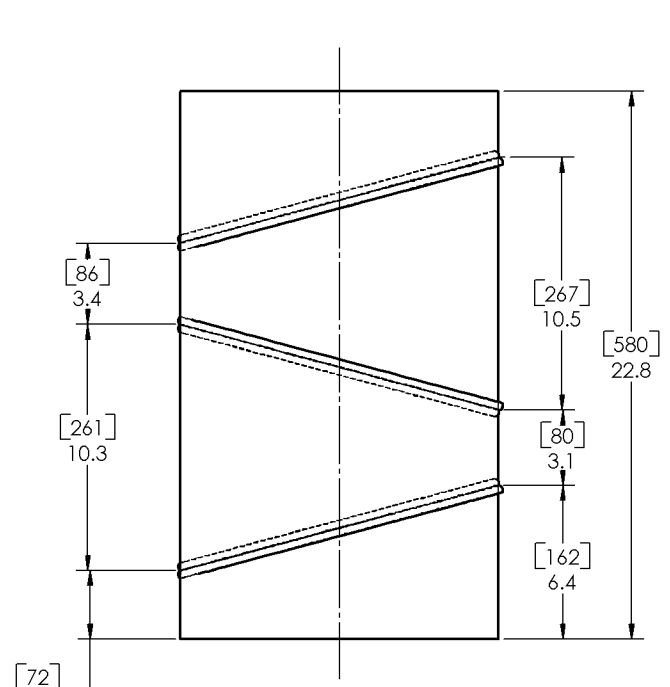
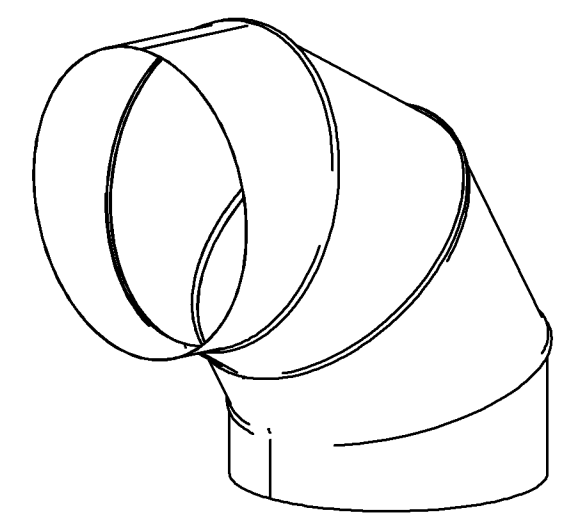


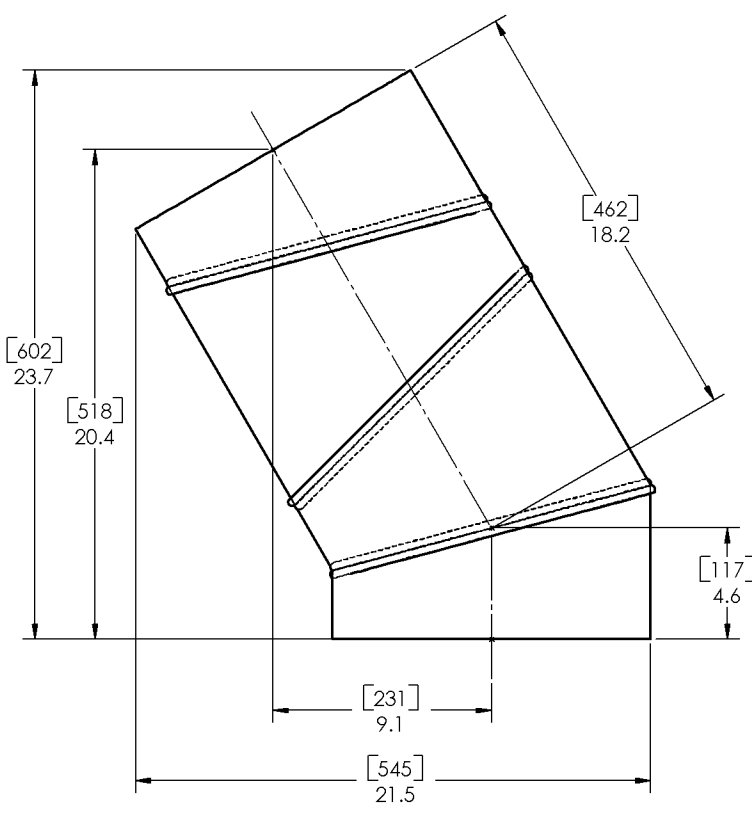
REVISIONS				
ECO	REV.	DESCRIPTION	DATE	INC.
	1		2/17/2006	



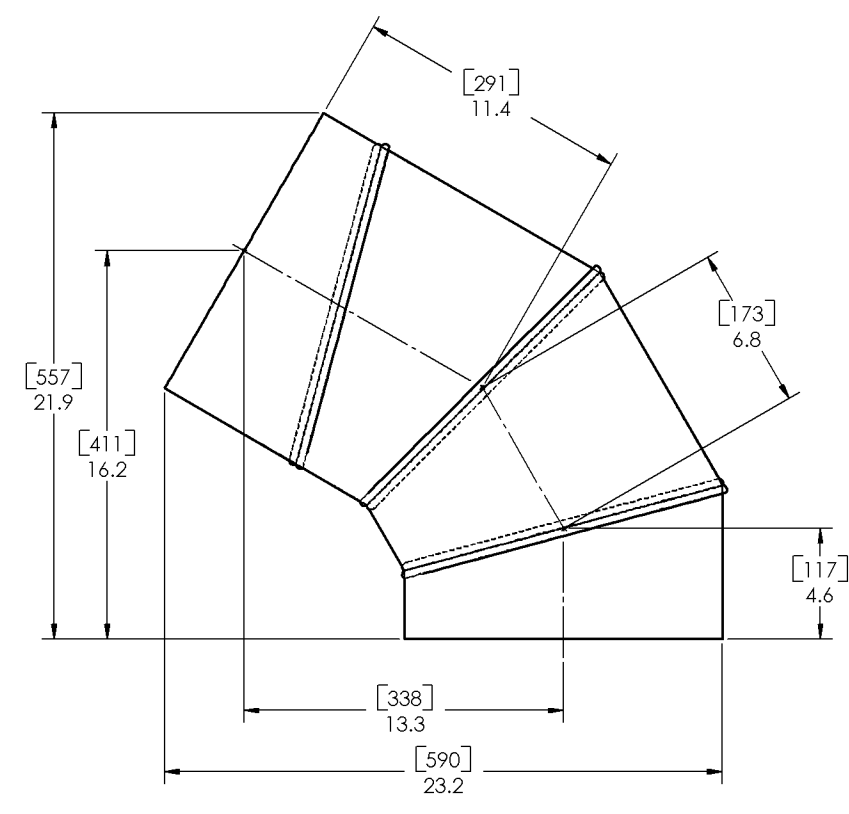
**TOP VIEW
STRAIGHT
SCALE 1:1**



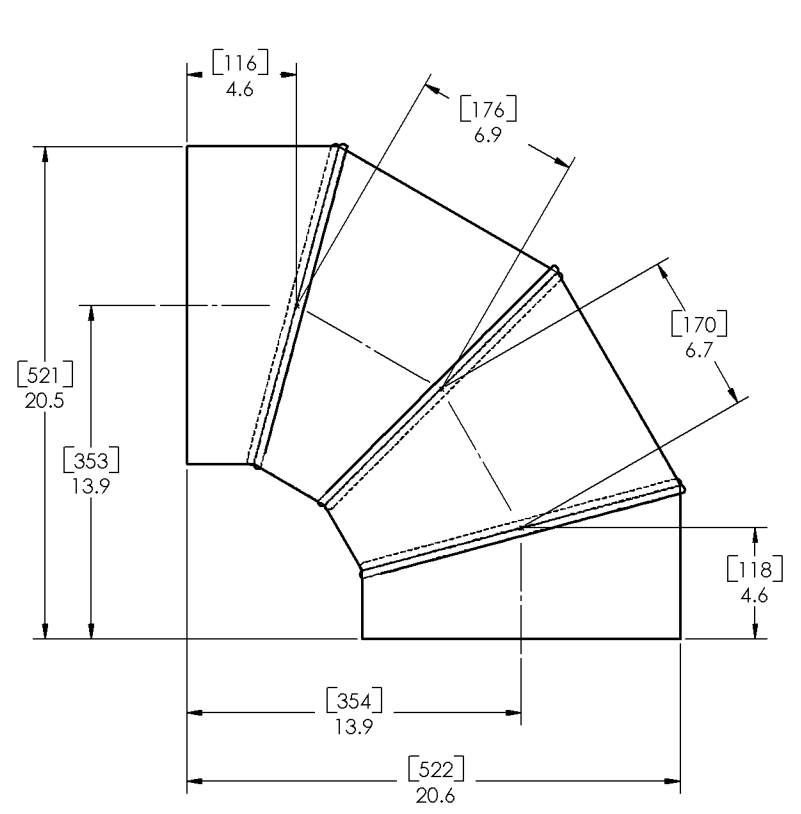
**STRAIGHT
SCALE 1:1**



**30° ANGLE
SCALE 1:1**



**60° ANGLE
SCALE 1:1**



**90° ANGLE
SCALE 1:1**

UNLESS OTHERWISE SPECIFIED:		PROPRIETARY AND CONFIDENTIAL		<p>2210 OAK RIDGE WAY VISTA, CALIFORNIA 92081-8341 PH (760) 587-4400</p>	
TOLERANCES: ANGULAR: ±0.5°		THE INFORMATION CONTAINED IN THIS DRAWING IS THE SOLE PROPERTY OF SOLATUBE. ANY REPRODUCTION IN PART OR AS A WHOLE WITHOUT THE WRITTEN PERMISSION OF SOLATUBE IS PROHIBITED.			
INCH X ± .2 XX ± .01 XXX ± .005	MILLIMETER X ± .25 XX ± .12 XXX ± .025	DRAWN BY STEVENS	DATE 2/17/06	TITLE: 0-90 DEGREE EXT. TUBE 14 INCH	
FINISH ---	DO NOT SCALE DRAWING	CHECKED BY ---	DATE ---	SIZE D	DWG. NO. 14-90DEG-EXT
			APPROVED BY ---	DATE ---	REV 1
					SHEET 1 OF 1