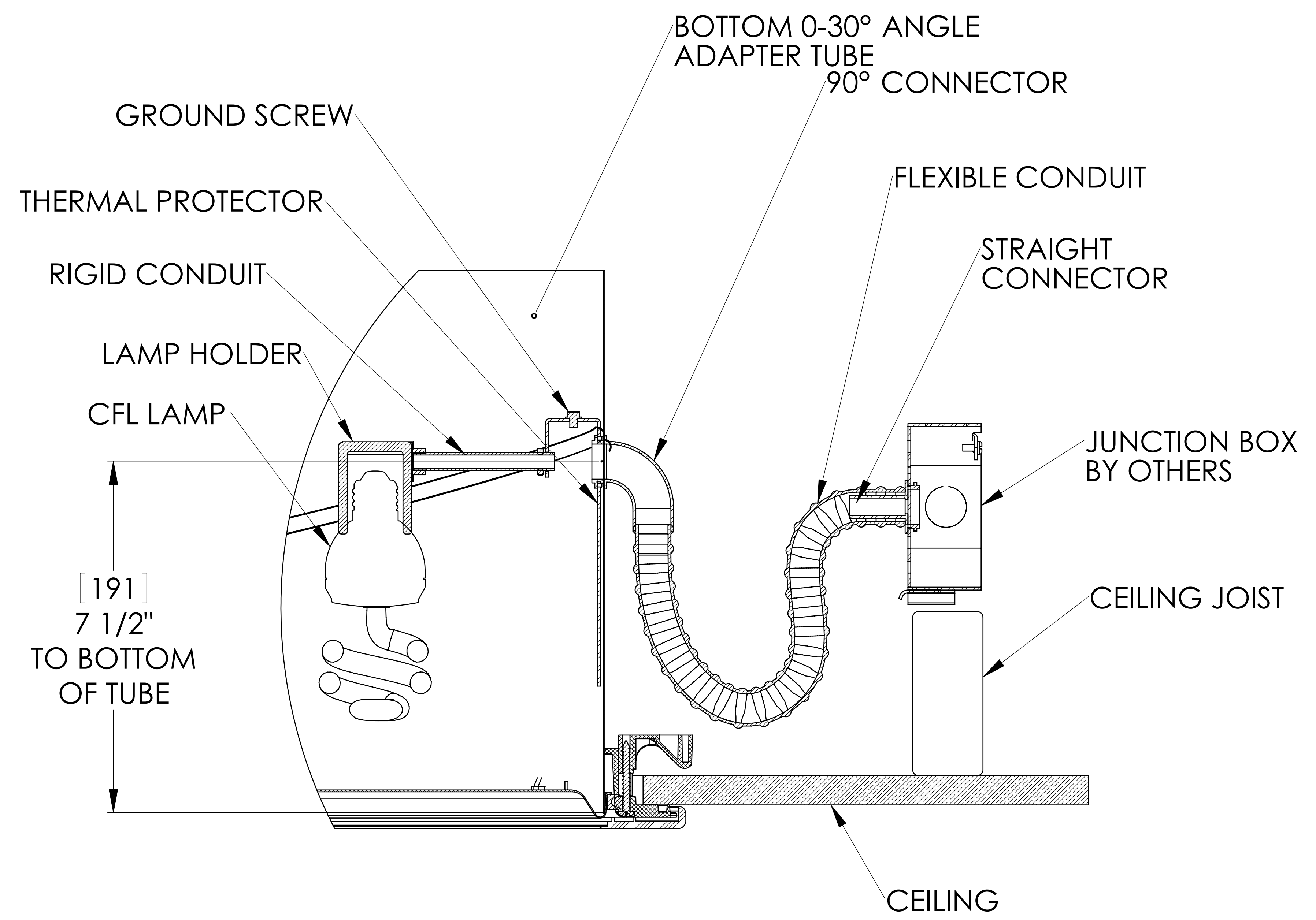
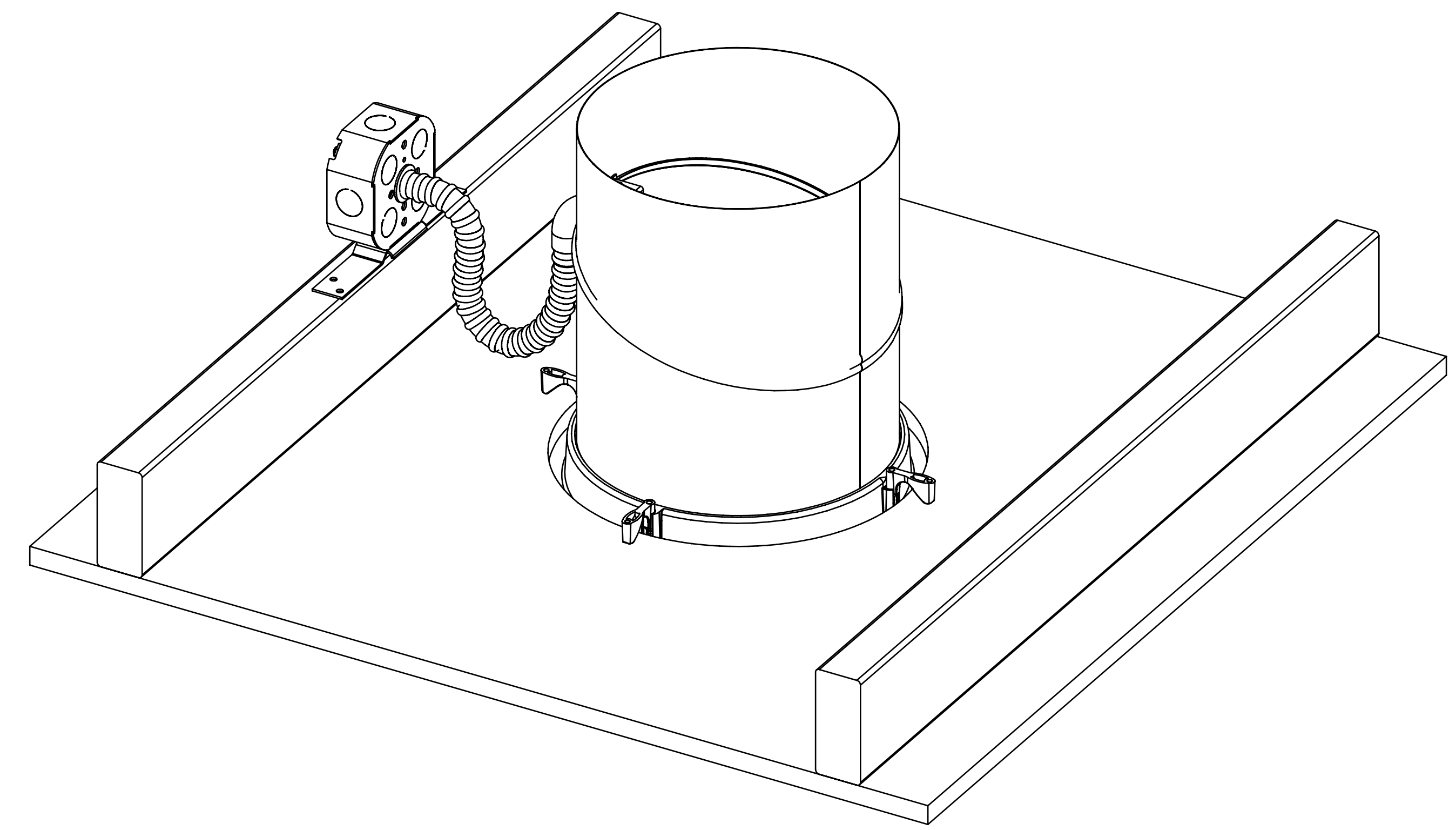
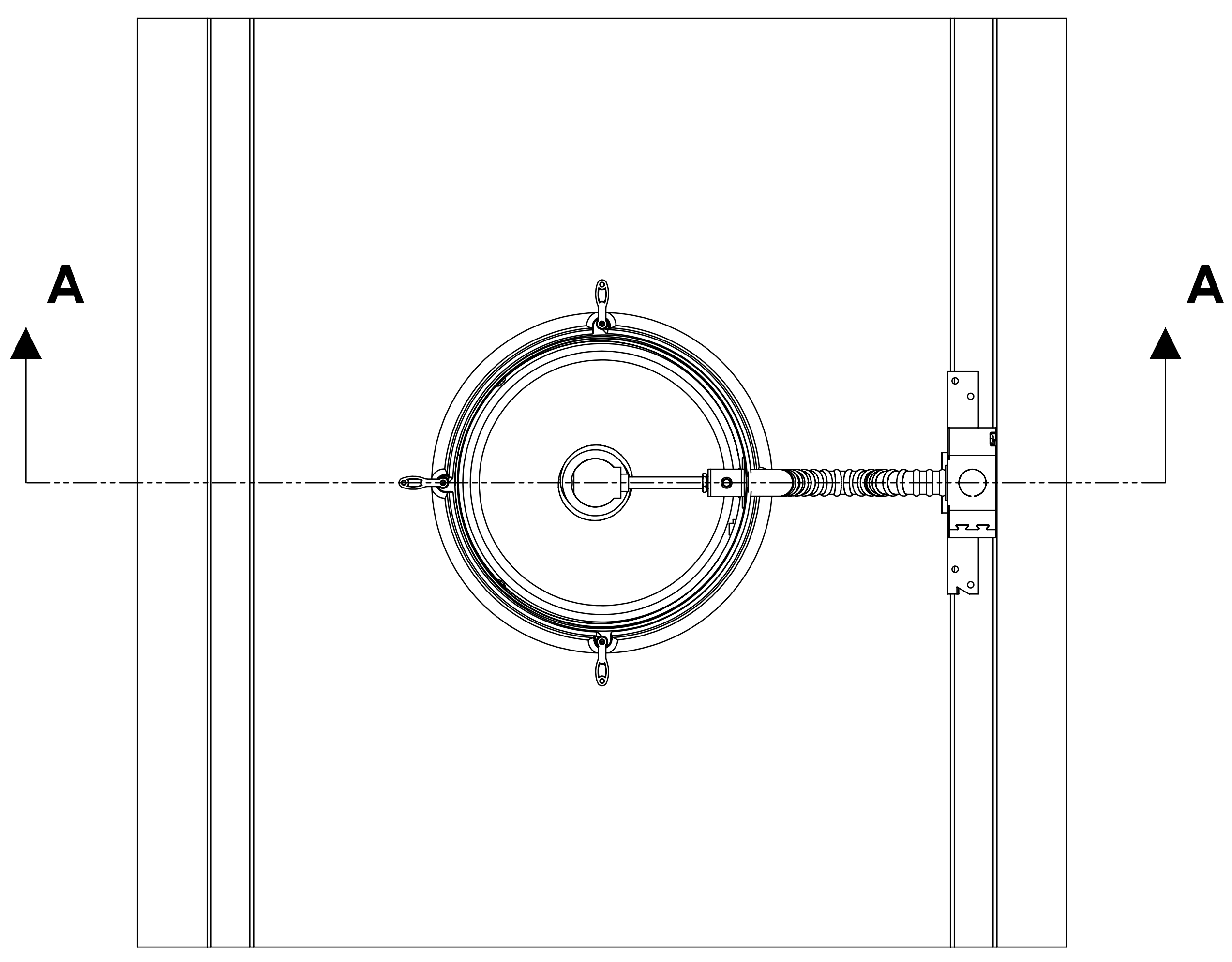
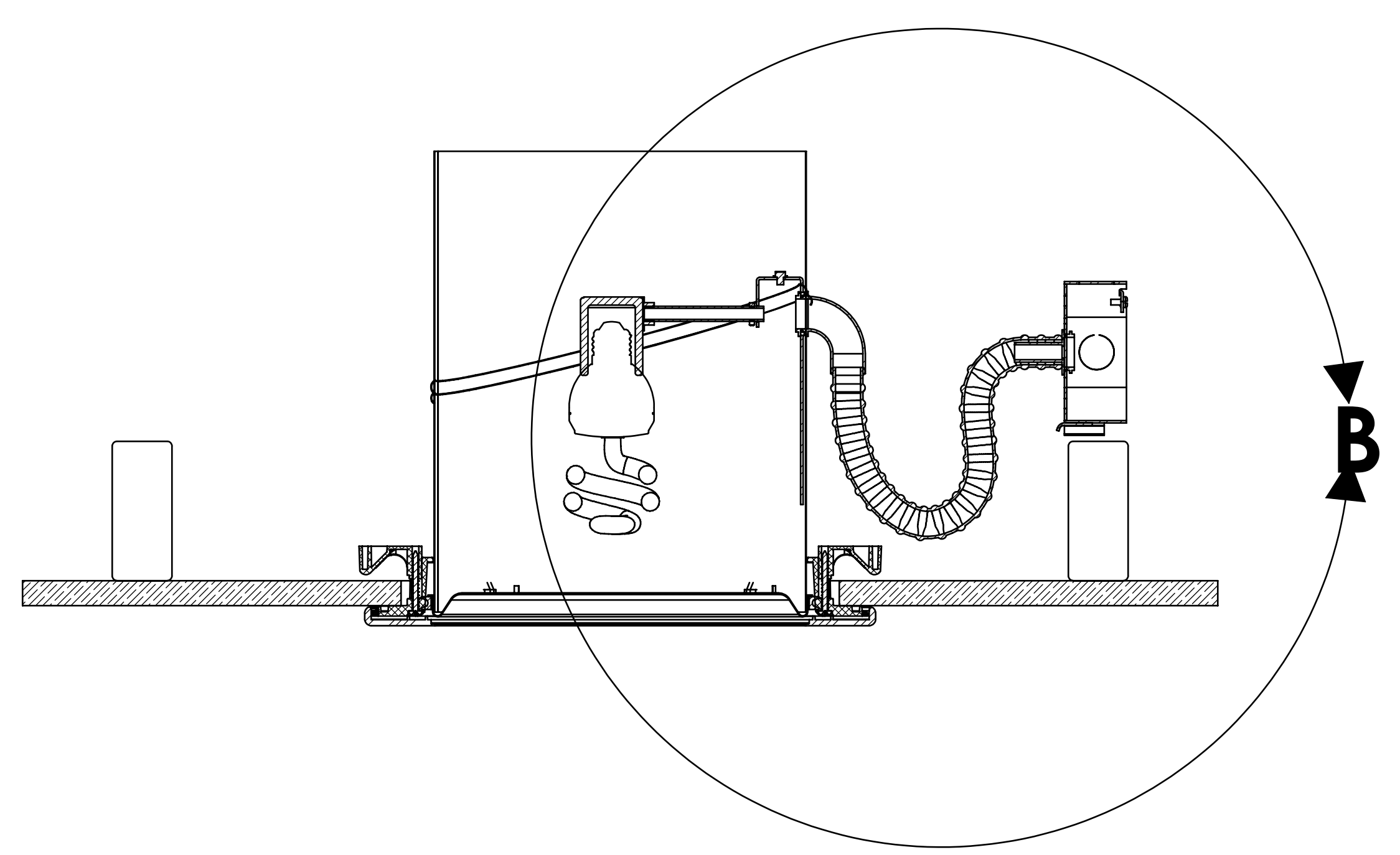


REVISIONS					
REV	ECO	DATE	REVISED	CHECKED	APPROVED
A		10/4/2010			

**SOLATUBE 160 DS
(10 IN / 250 MM)
UNIVERSAL LIGHT ADD-ON KIT
HARD CEILING**




**DETAIL B
SCALE 2 : 1**



SECTION A-A

NOTES:

1. STRUCTURAL ELEMENTS (PLYWOOD, RAFTERS, DRYWALL ETC. BY OTHERS & SHOWN FOR REFERENCE ONLY).
2. ALL TUBE JOINTS & SEAMS TAPED WITH 2" FOIL TAPE (NOT SHOWN).
3. DIMENSIONS IN BRACKETS ARE METRIC UNLESS OTHERWISE SPECIFIED.
4. 6" MIN CLEARANCE SHOULD BE MAINTAINED FROM ALL SOLATUBE COMPONENTS AND OTHER PLENUM COMPONENTS.
5. LAMP TYPE: FLUORESCENT, MEDIUM BASE, 23 WATT MAXIMUM, TOTAL MAXIMUM LENGTH 4-3/4" (120 MM)

UNLESS OTHERWISE SPECIFIED:		SOLATUBE INTERNATIONAL, INC. COPYRIGHT 2010 WWW.SOLATUBE.COM		 2210 OAK RIDGE WAY VISTA, CALIFORNIA 92081-9341 PH (760) 597-4400	
DIMENSION TOLERANCE		DRAWN BY STEVENS		DATE 10/4/10	
FRACTIONS ± 1/4"		CHECKED BY		DATE	
INCH .X ± .1		APPROVED BY		DATE	
MILLIMETER [X] ± 2.5		DO NOT SCALE DRAWING		TITLE: SOLATUBE 160 DS LIGHT ADD-ON	
.XX ± .06 [XX] ± 1.5				SIZE: DWG. NO. WEB-160DS-HC-LIGHT REV A	
				SCALE: 1:1 SHEET 1 OF 1	