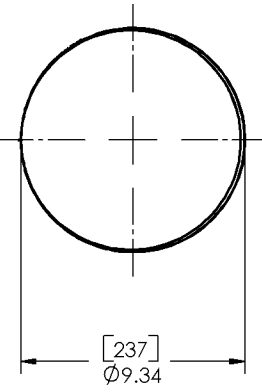
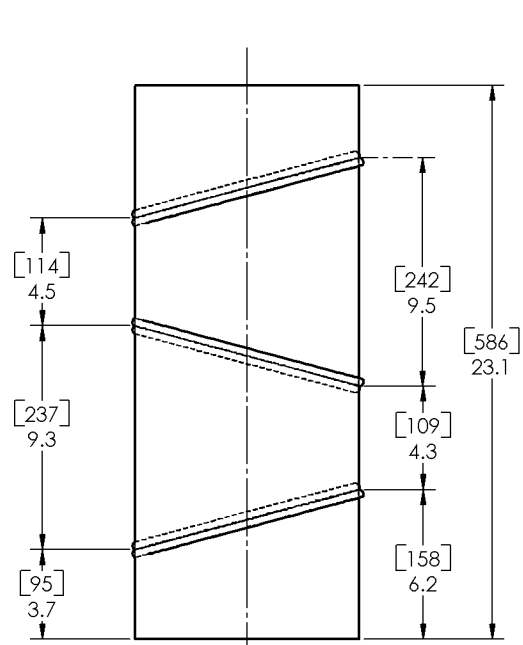
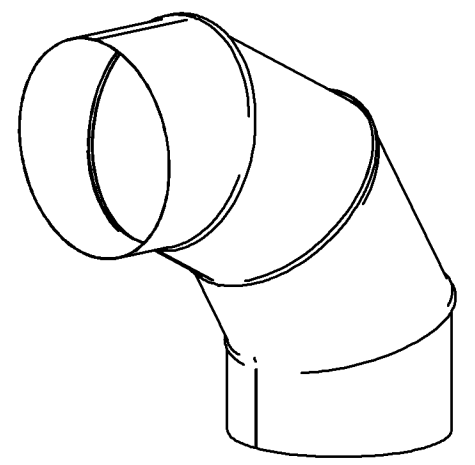


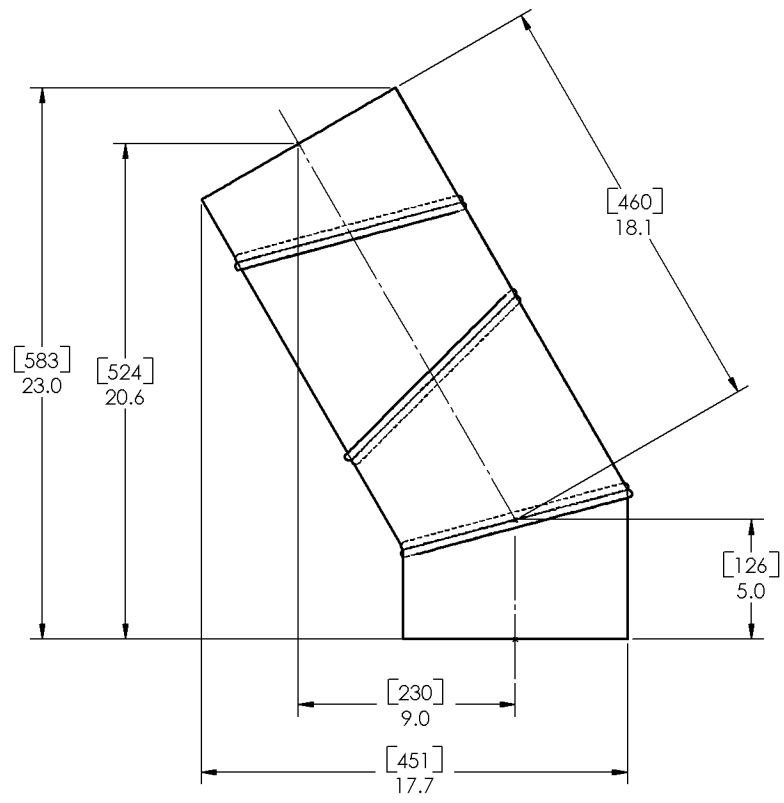
REVISIONS				
ECO	REV.	DESCRIPTION	DATE	INC.
	1		2/17/2006	



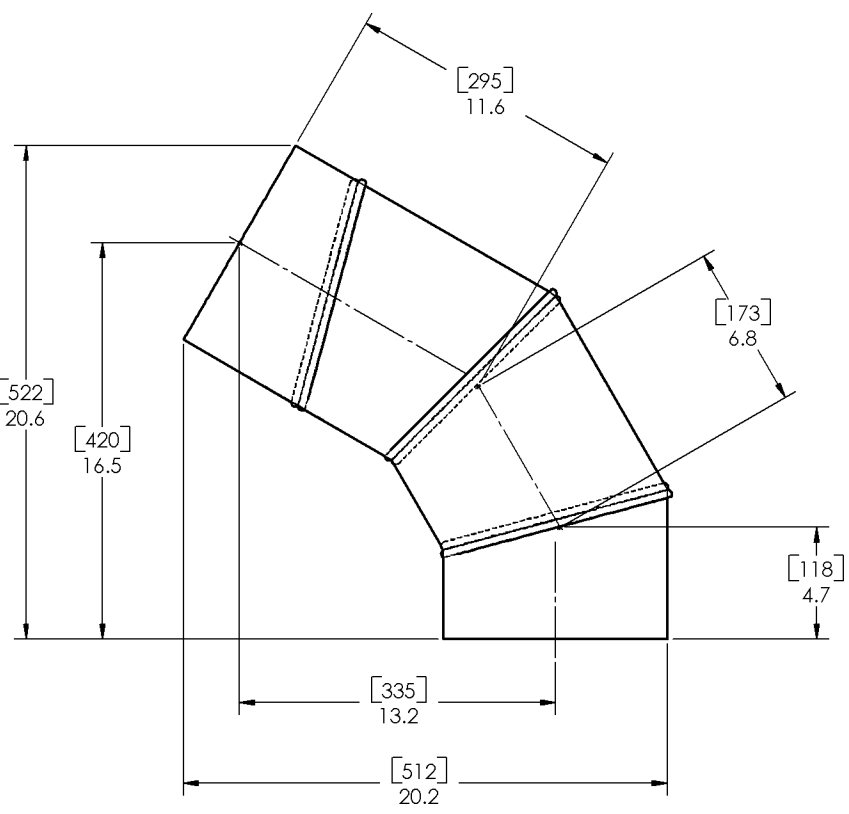
**TOP VIEW
STRAIGHT**



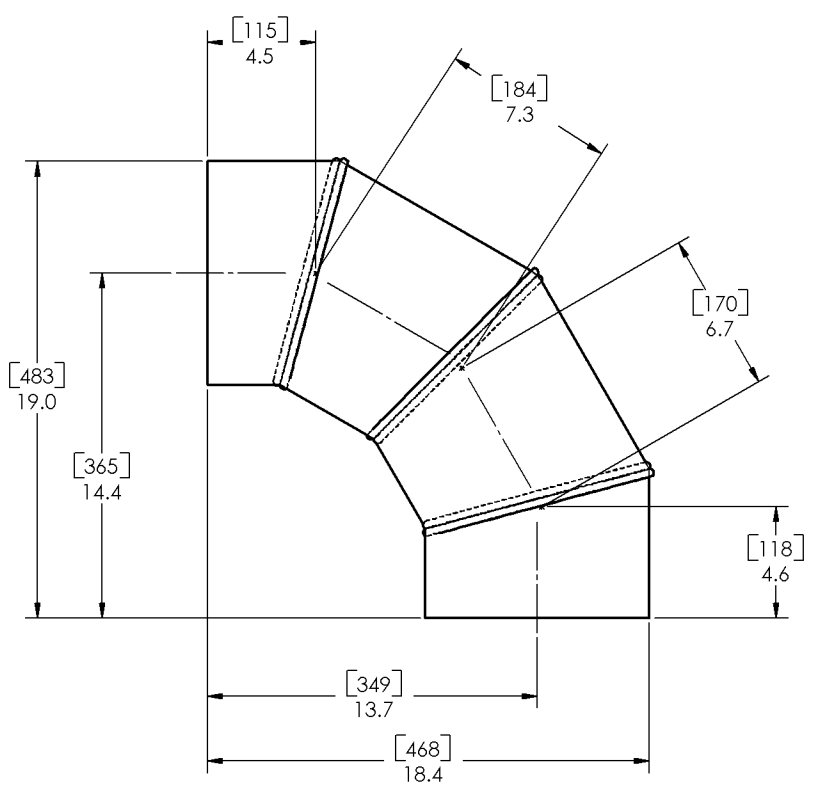
**STRAIGHT
SCALE 1:1**



**30° ANGLE
SCALE 1:1**



**60° ANGLE
SCALE 1:1**



**90° ANGLE
SCALE 1:1**

UNLESS OTHERWISE SPECIFIED:		PROPRIETARY AND CONFIDENTIAL		<p>SOLATUBE 2210 OAK RIDGE WAY VISTA, CALIFORNIA 92081-8341 PHI (760) 587-4400</p>	
TOLERANCES		THE INFORMATION CONTAINED IN THIS DRAWING IS THE SOLE PROPERTY OF SOLATUBE. ANY REPRODUCTION IN PART OR AS A WHOLE WITHOUT THE WRITTEN PERMISSION OF SOLATUBE IS PROHIBITED.			
ANGULAR: ±0.5°		DATE		TITLE: 0-90 DEGREE EXT. TUBE	
INCH		DATE		SIZE	
X ± .2		2/17/06		D	
XX ± .01		CHECKED BY		DWG. NO. 10-90DEG-EXT	
XXX ± .005		DATE		REV 1	
		APPROVED BY		SCALE: 1:4	
DO NOT SCALE DRAWING				SHEET 1 OF 1	