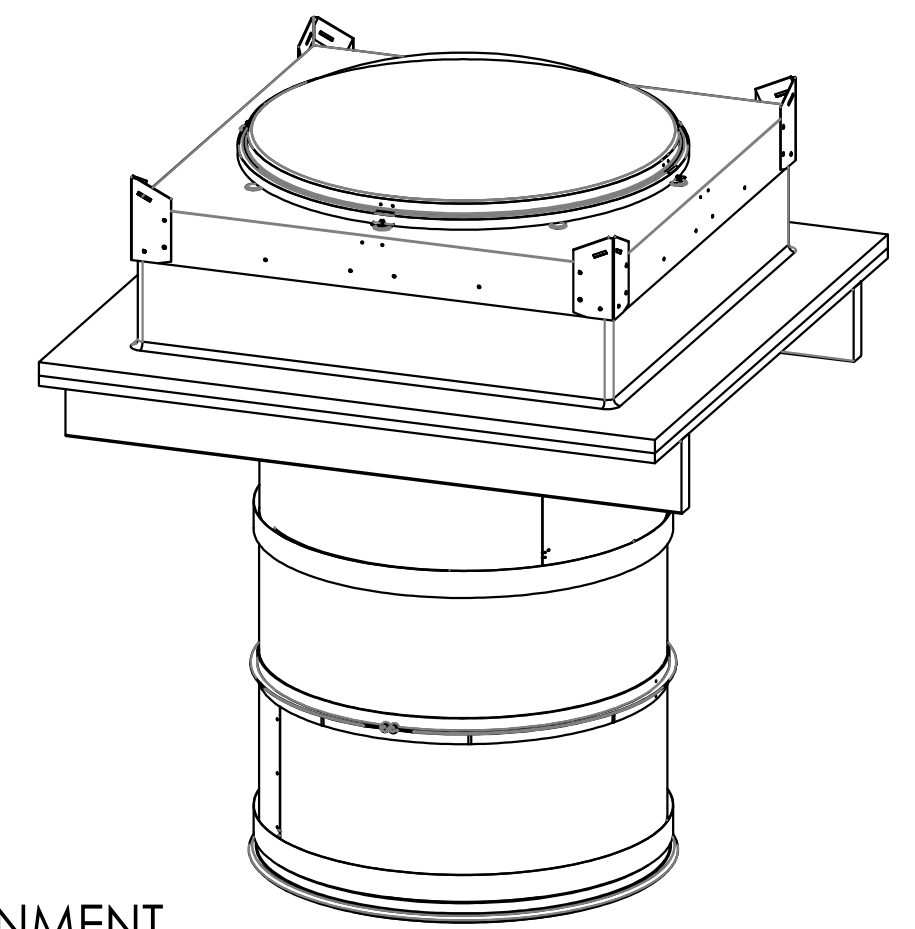
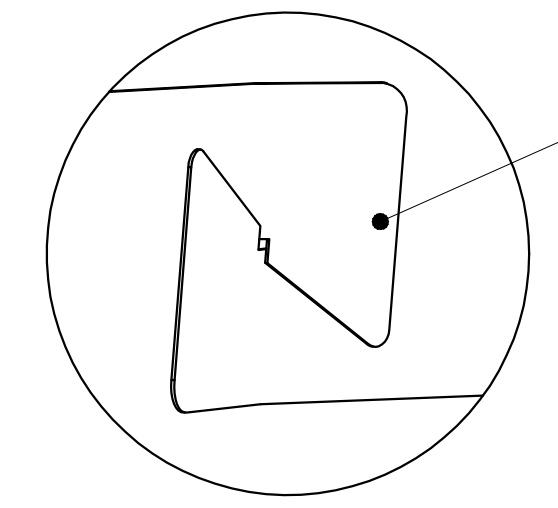
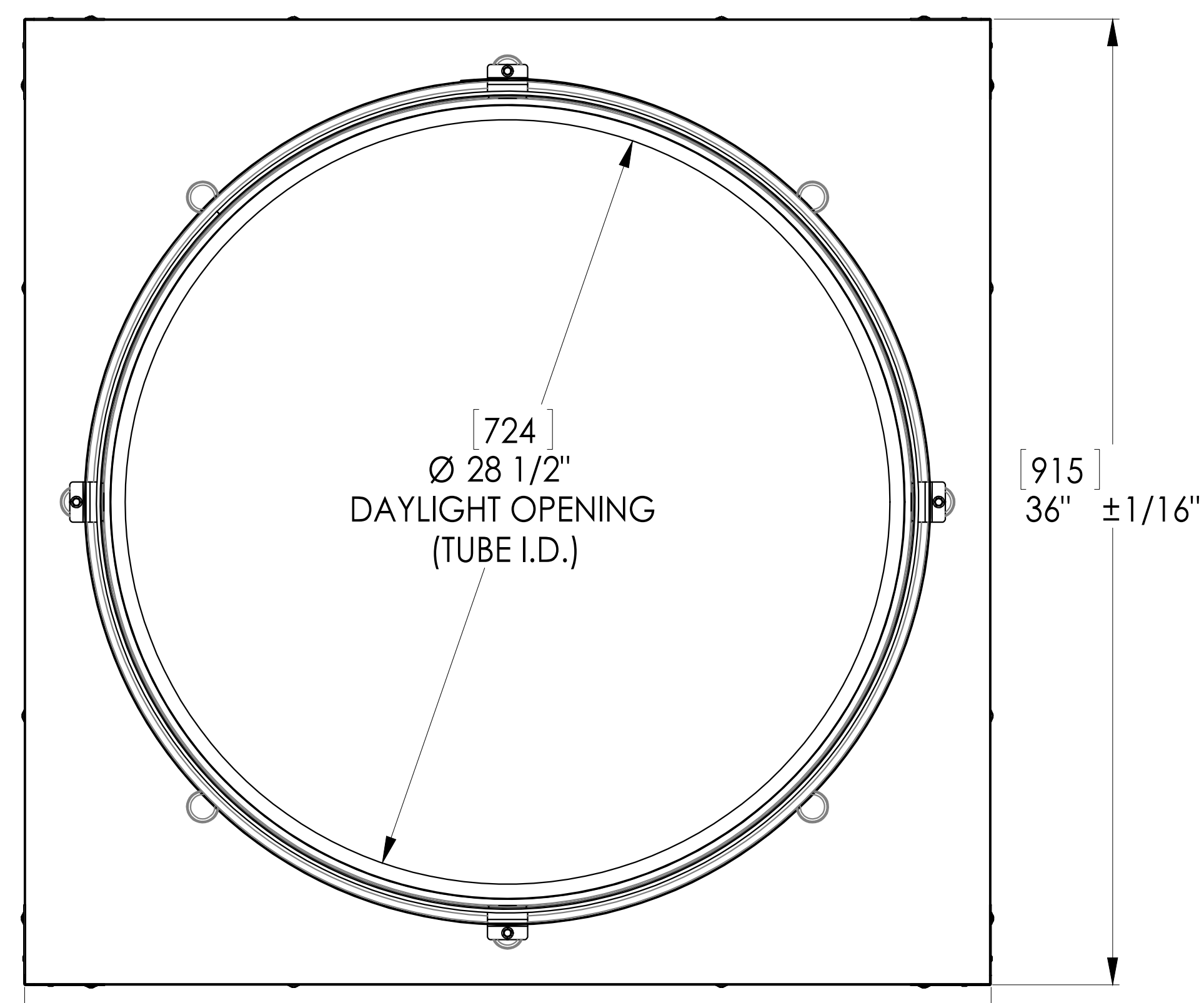
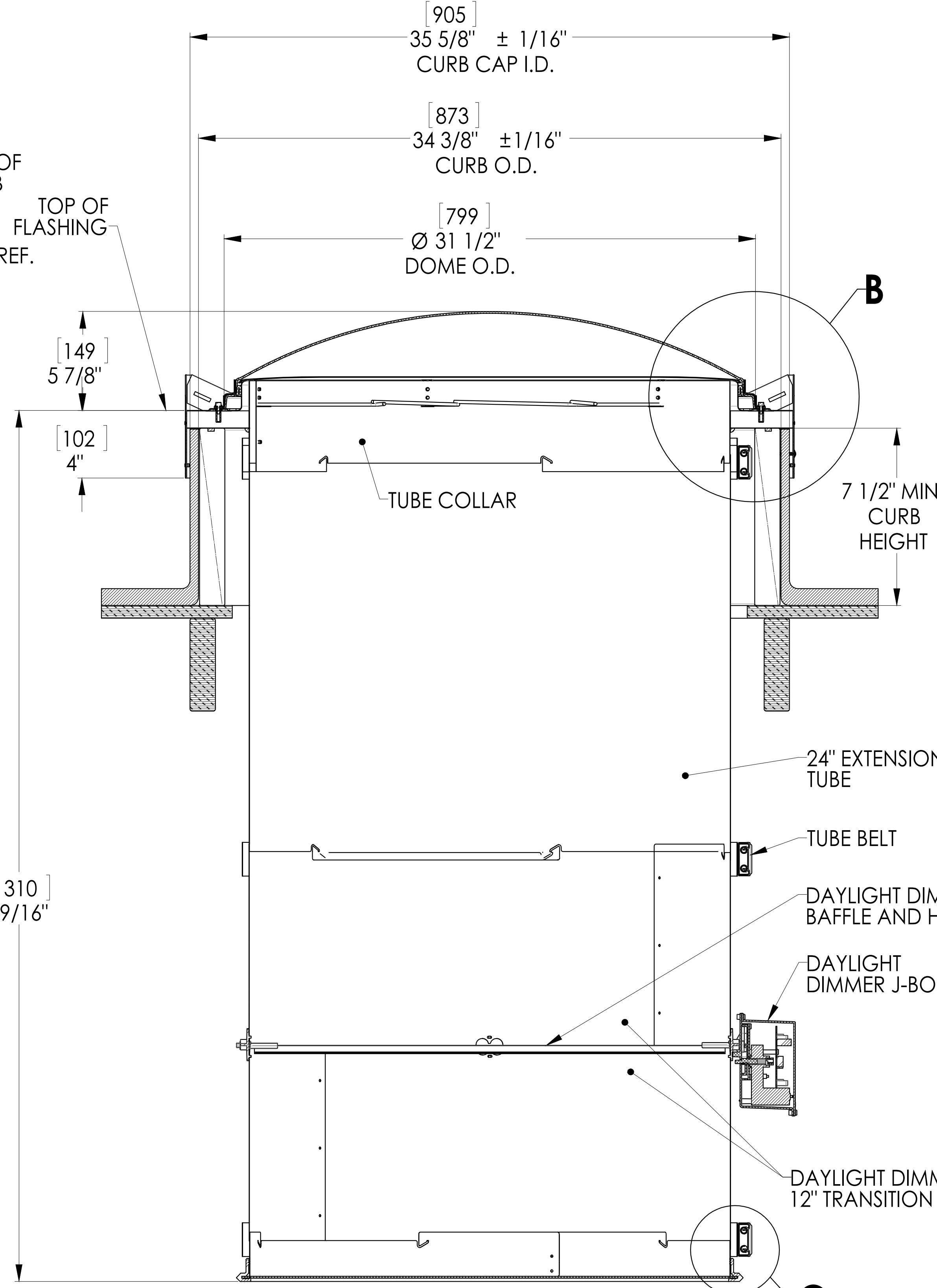
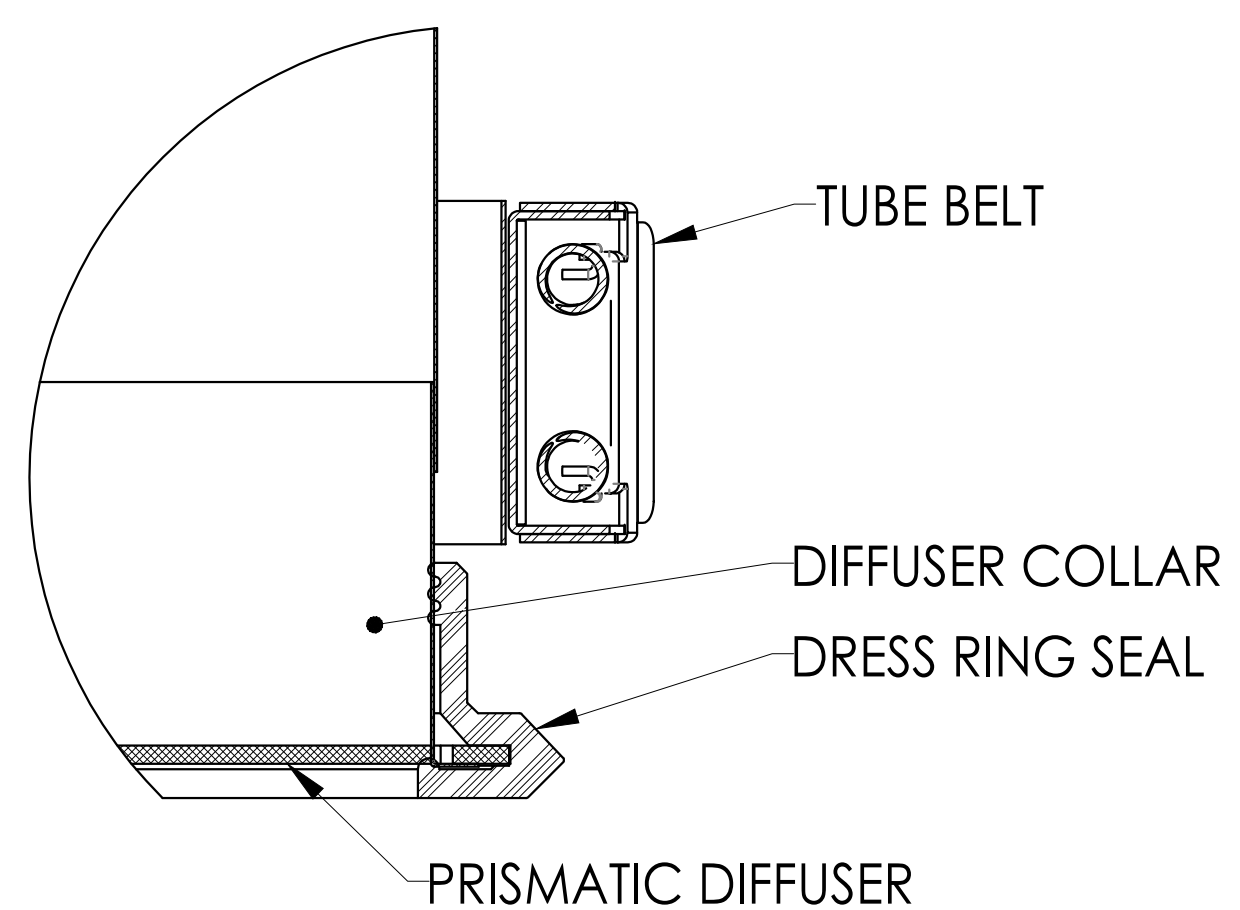
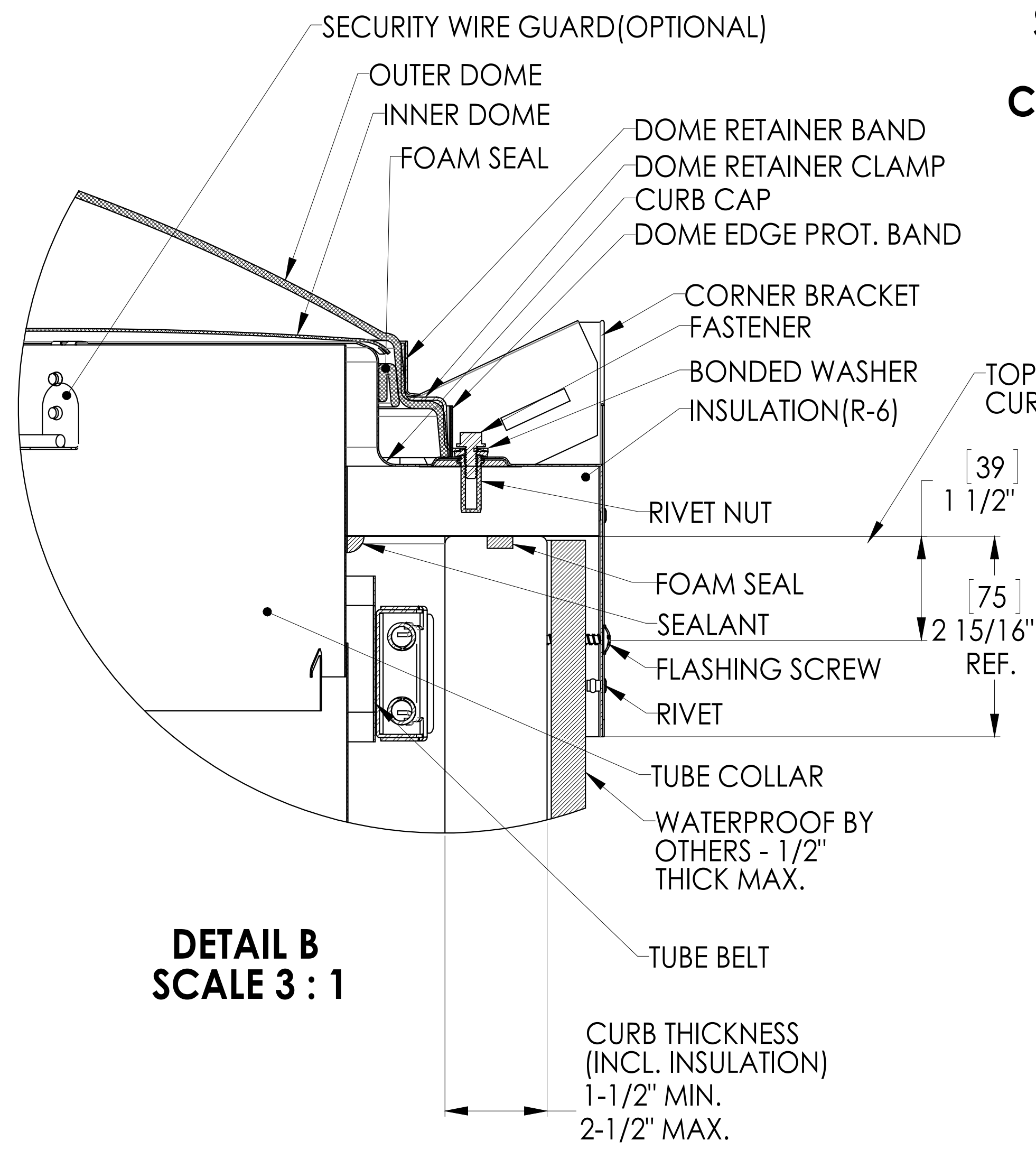


**SOLATUBE M74 DS-O-DPP-B  
(29 IN / 740 MM)  
CURB CAP/DAYLIGHT DIMMER  
OPEN CEILING**



- NOTES:
1. STRUCTURAL ELEMENTS (PLYWOOD, RAFTERS, DRYWALL ETC.) BY OTHERS & SHOWN FOR REFERENCE ONLY.
  2. DIMENSIONS IN BRACKETS ARE METRIC UNLESS OTHERWISE SPECIFIED.
  3. 6" MIN CLEARANCE SHOULD BE MAINTAINED FROM ALL SOLATUBE COMPONENTS AND OTHER PLENUM COMPONENTS.
  4. CURB CORNER TO CORNER MEASUREMENT SHALL BE EQUIVALENT TO WITHIN 3/32".

UNLESS OTHERWISE SPECIFIED:		SOLATUBE INTERNATIONAL, INC. COPYRIGHT 2015 WWW.SOLATUBE.COM		<p>2210 OAK RIDGE WAY VISTA, CALIFORNIA 92081-8341 PH (760) 587-4400</p>	
DIMENSION TOLERANCE		DRAWN BY STEVENS		DATE 8/4/15	
FRACTIONS ± 1/4" INCH .X ± .1 .XX ± .06 MILLIMETER [X] ± 2.5 [XX] ± 1.5		CHECKED BY --		DATE --	
MATERIAL --		APPROVED BY --		DATE --	
FINISH --		DO NOT SCALE DRAWING		TITLE: <b>M74 DS CURB MOUNT OPEN CEILING</b>	
SCALE: 1:1		DWG. NO. <b>D SM74DS-O-DPP-B-FC-DD</b>		REV <b>1</b>	
				SHEET 1 OF 1	