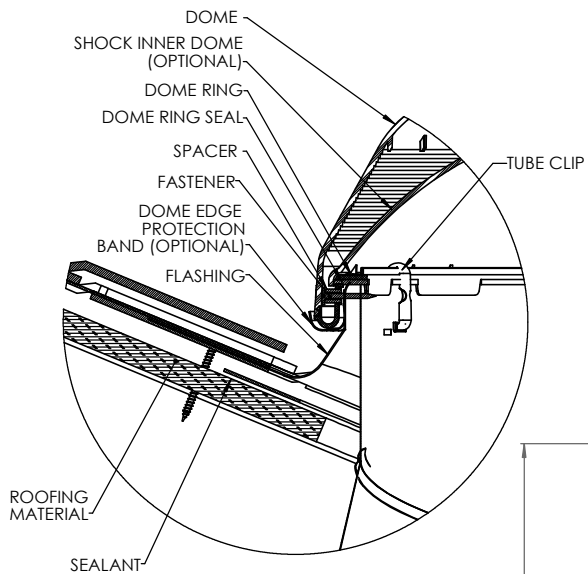
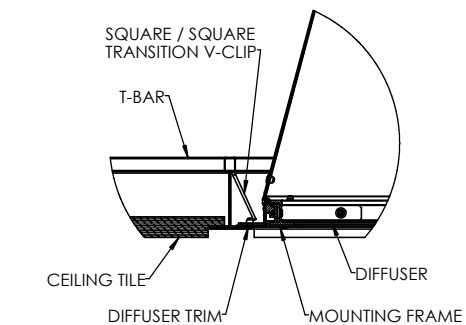


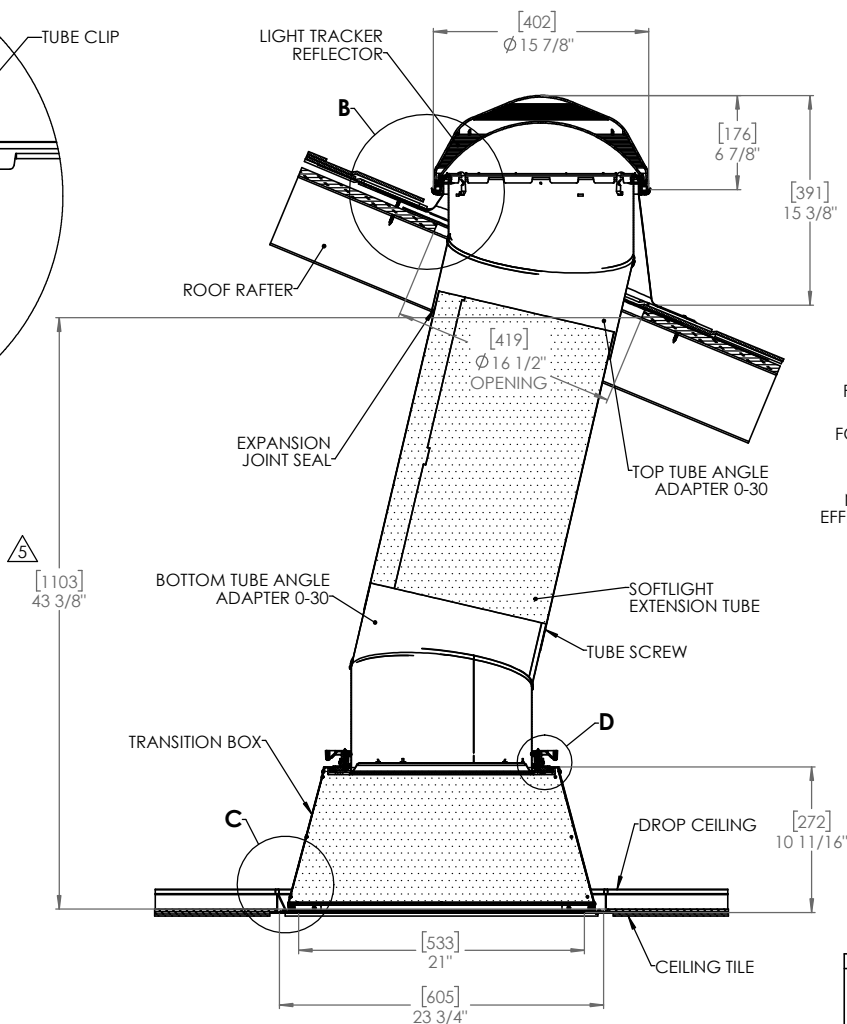
**SOLATUBE 300 DS
(14 IN / 355 MM)
PITCHED SELF FLASHING
SUSPENDED CEILING**



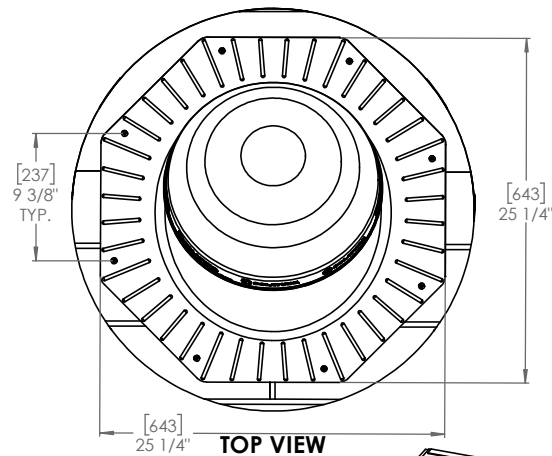
**DETAIL B
SCALE 3 : 1**



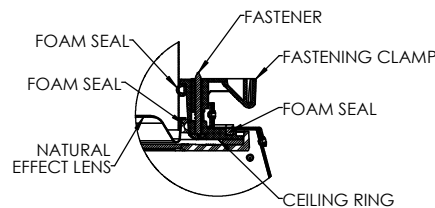
**DETAIL C
SCALE 3 : 1**



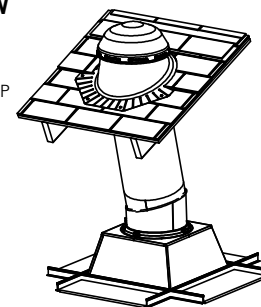
**FULL SECTION
SCALE 1:1**



TOP VIEW



**DETAIL D
SCALE 3 : 1**



- NOTES:
 1. STRUCTURAL ELEMENTS (PLYWOOD, RAFTERS, DRYWALL ETC. BY OTHERS & SHOWN FOR REFERENCE ONLY).
 2. ALL TUBE JOINTS & SEAMS TAPED WITH 2" FOIL TAPE (NOT SHOWN).
 3. DIMENSIONS IN BRACKETS ARE METRIC UNLESS OTHERWISE SPECIFIED.
 4. 6" MIN CLEARANCE SHOULD BE MAINTAINED FROM ALL SOLATUBE COMPONENTS AND OTHER PLENUM COMPONENTS.
 5. 30" MIN HEIGHT NEEDED FOR TRANSITION BOX
 6. ONE (1) SOFTLIGHT EXTENSION TUBE PER DAYLIGHTING SYSTEM. MUST INSTALL AS FINAL EXTENSION TUBE PRIOR TO THE BOTTOM (ANGLE) TUBE.

UNLESS OTHERWISE SPECIFIED:		SOLATUBE INTERNATIONAL INC. COPYRIGHT 2017 WWW.SOLATUBE.COM		SOLATUBE 2210 OAK RIDGE WAY COSTA MESA, CALIFORNIA 92626-1841 PH (714) 597-4402	
DIMENSION TOLERANCE		DRAWN BY		TITLE:	
FRACTIONS ± 1/4"		STEVENS		300 DS PITCHED SELF FLASHING	
INCHES ± 0.06		CHECKED BY		SUSPENDED CEILING	
MILLIMETER ± 0.25		DATE		SIZE	
XX ± 0.06		DATE		D	
XXX ± 1.5		DATE		DWG. NO.	
DO NOT SCALE DRAWING		APPROVED BY		S300DS-C-DAI-FP-TM-LN	
		DATE		SCALE: 1:1	
		DATE		REV	
		DATE		1	
		DATE		SHEET 1 OF 1	