

SECTION A-A

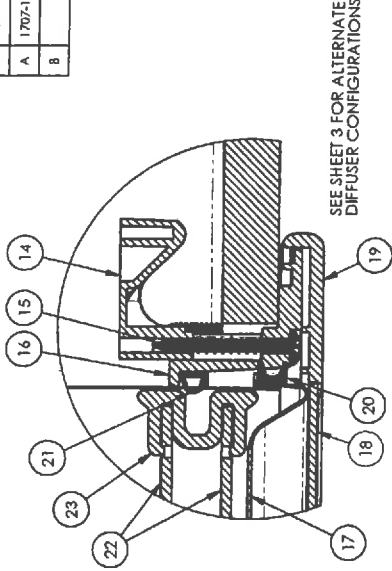
ITEM NO.	QTY.	PART NO.	DESCRIPTION	MATERIAL
1	1	410820	DOME 290 DS	PMMA
2	1	410830	LIGHTTRACER RELECTOR 290 DS	ALUMINUM LAMINATE
3	1	410800	DOME RING 290 DS	PMMA
4	1	600320	DOME RING SEAL 290 DS	EPDM FOAM
5	4	700240	SCREW #6 X 1" SMS	STEEL
6	4	410730	DOME RING SPACER	POLYAMIDE
7	4	410750	TOP TUBE CLIP	PMMA
8	1	700280	FLASHING	STEEL
9	1	700480	SEALANT URETHANE	URETHANE
10	8	302220	SCREW #10 X 2" SMS	STEEL
11	1	301810	TOP TUBE 290 DS	ALUMINUM LAMINATE
12	1	301810	EXT. TUBE 16" 290 DS	ALUMINUM LAMINATE
13	1	302120	BOTTOM TUBE 290 DS	ALUMINUM LAMINATE
14	4	410220	CLAMP	POLYAMIDE
15	4	700450	SCREW #6 X 1.5" SMS	STEEL
16	1	410415	CEILING RING 290 DS	PMMA
17	1	427345	290 DS NATURAL EFFECT LENS	PET
18	1	410530	290 DS DIFFUSER PANEL	PMMA
19	1	410520	DRESS RING 290 DS	PMMA
20	1	600290	290 DS DIFFUSER SEAL	EPDM FOAM
21	1	600445	D-SEAL HOLLOW	EPDM FOAM

ITEM NO.	QTY.	PART NO.	DESCRIPTION	MATERIAL
22	2	420260	290 DS INSULATION PANEL	PMMA
23	4	420270	INSULATION PANEL CLIP	PMMA
24	1	VARES**	TURRET EXTENSION	STEEL
25	1	410810	290 DS DOME SHOCK INNER	PMMA
26	1	570002	290 DS DAYLIGHT DIMMER	PMMA
27	1	510000	UNIVERSAL LIGHT KIT	PMMA

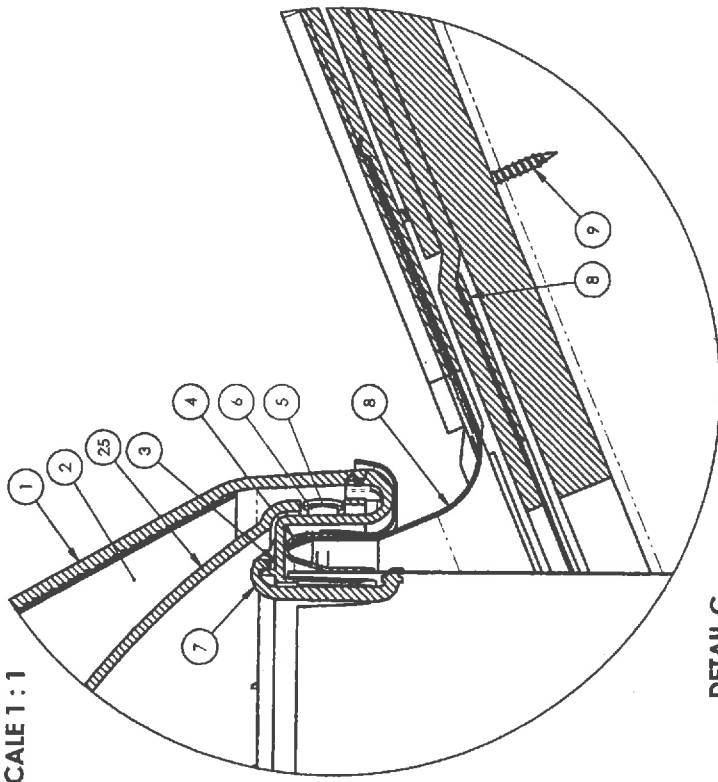
\*\*S 200760, 200581, 230445, 230830  
 PWS 230450, 230760, 230540, 230550, 230560, 230570

OPTIONAL COMPONENTS

REVISIONS				
REV.	ECO	DATE	REVID	APPROVED
A	1707-1	14 FEB 09	MERCADO	
B		20 SEP 12	CSTEVENS	



DETAIL B  
SCALE 1:1



DETAIL C  
SCALE 1:1

**SOLATUBE.**  
 210 OAK RIDGE WAY  
 METLA CALIFORNIA 92718-1841

TITLE: **290 DS (14") SOLATUBE ASSY  
 PITCHED FLASHING  
 290-PF-HC-STD**

UNLESS OTHERWISE SPECIFIED:  
 TOLERANCES:  
 ANGULAR: ± .5°  
 INCH: .001 ± .01  
 .002 ± .01  
 .003 ± .01  
 .004 ± .01  
 .005 ± .01  
 .006 ± .01  
 .007 ± .01  
 .008 ± .01  
 .009 ± .01  
 .010 ± .01

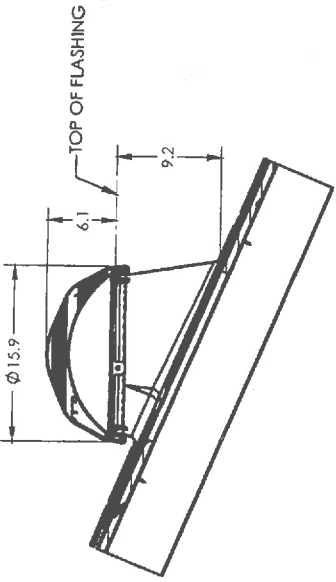
PROPRIETARY AND CONFIDENTIAL  
 THE INFORMATION CONTAINED IN THIS DRAWING IS THE SOLE PROPERTY OF SOLATUBE. IT IS TO BE KEPT AS A PART OR AS A WHOLE WITHOUT THE WRITTEN PERMISSION OF SOLATUBE. REPRODUCTION IS PROHIBITED.

DATE: 8/11/10  
 DRAWN BY: STEVENS  
 CHECKED BY: [ ]  
 APPROVED BY: [ ]

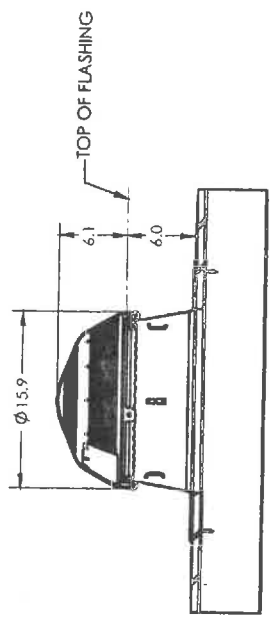
DWG. NO.: **900520**  
 REV: **B**

SCALE: 1:10  
 SHEET 1 OF 3

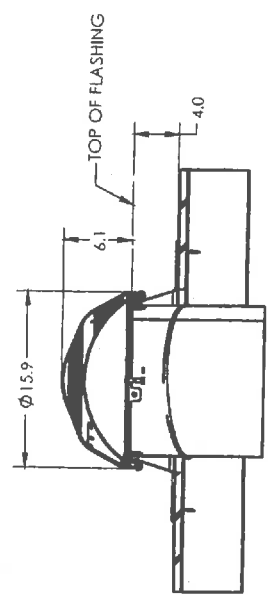
SEE SHIT 1



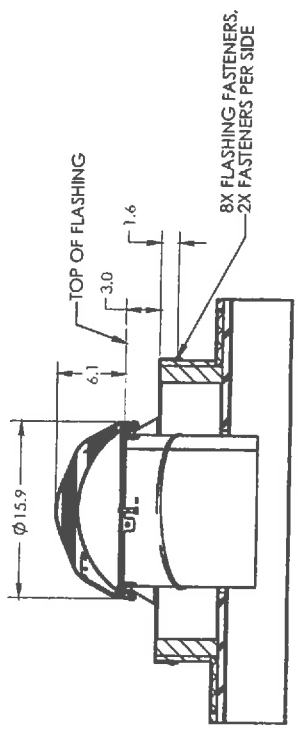
PITCHED



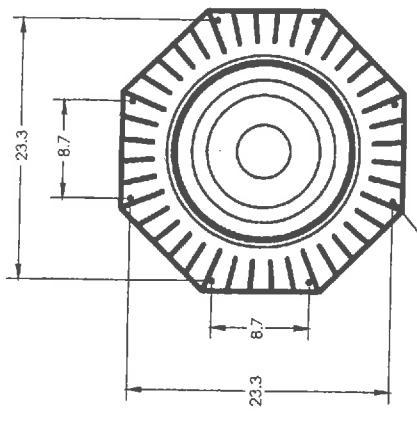
FLAT 6"



FLAT 4"



CURB



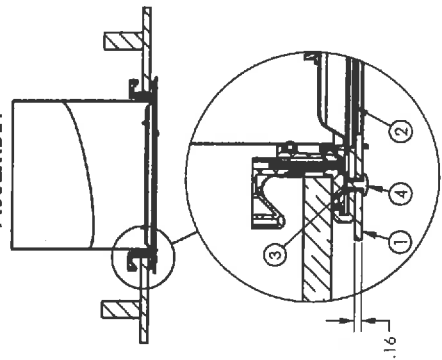
8X FLASHING FASTENERS

FLASHING FASTENER SPACING  
FLAT 4", FLAT 6" & PITCHED

DWG. NO.	REV
900520	B
SCALE: 1/8"	SHEET 2 OF 3

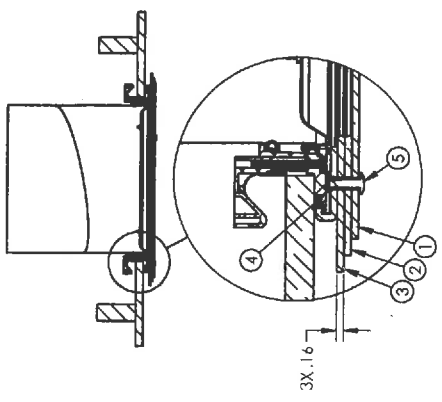
# 160 DS AND 290 DS DECORATIVE DIFFUSER OPTIONS

## ASSEMBLY



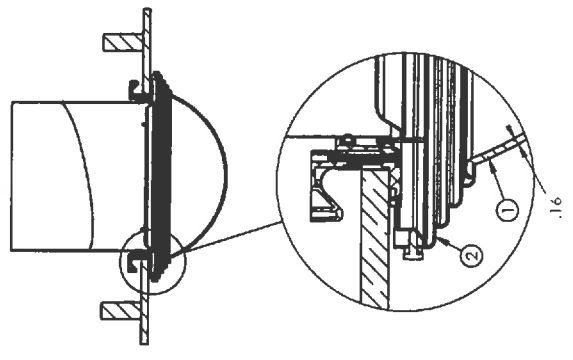
OPTIVIEW DIFFUSER ASSEMBLY COMPONENTS				
ITEM NO.	QTY.	PART NO.	DESCRIPTION	MATERIAL
1	1	400290	GLASS DISK CENTER CLEAR 290 DS	TEMPERED GLASS
2	1	400280	DIFFUSER 290 PANE: OPTIVIEW	PC
3	3	700915	SPANNER NUT	STAINLESS STEEL
4	3	700925	SHOULDER SCREW M5	STAINLESS STEEL

## ASSEMBLY



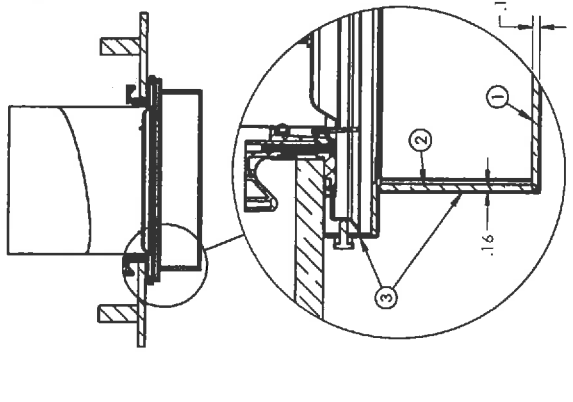
TIER DROP DIFFUSER ASSEMBLY COMPONENTS				
ITEM NO.	QTY.	PART NO.	DESCRIPTION	MATERIAL
1	1	400295	GLASS DISK 290 DS	TEMPERED GLASS
2	1	400296	MIDDLE GLASS RING 290 DS	TEMPERED GLASS
3	1	400297	TOP GLASS RING 290 DS	TEMPERED GLASS
4	3	700915	SPANNER NUT	STAINLESS STEEL
5	3	700925	SHOULDER SCREW M5	STAINLESS STEEL

## 'AURORA GLO' DIFFUSER ASSEMBLY



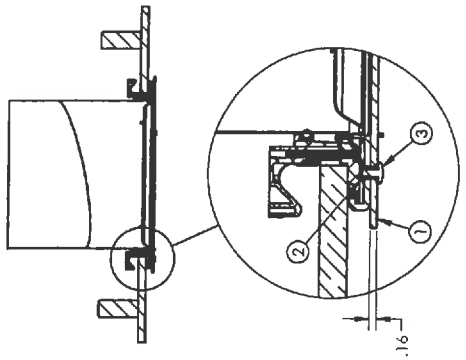
AURORA GLO DIFFUSER ASSEMBLY COMPONENTS				
ITEM NO.	QTY.	PART NO.	DESCRIPTION	MATERIAL
1	1	400292	290 DS GLASS ROUND	TEMPERED GLASS
2	4	492902	290 DS ROUND BOWL ROSE ASSY.	STEEL

## 'QUADRA FROST' DIFFUSER ASSEMBLY



QUADRA FROST DIFFUSER ASSEMBLY COMPONENTS				
ITEM NO.	QTY.	PART NO.	DESCRIPTION	MATERIAL
1	1	400299	290 DS SG. BOTTOM GLASS	TEMPERED GLASS
2	4	400294	290 DS SG. SIDE GLASS	TEMPERED GLASS
3	1	492914	290 DS SG. FRAME BRACKET ASSY.	STEEL

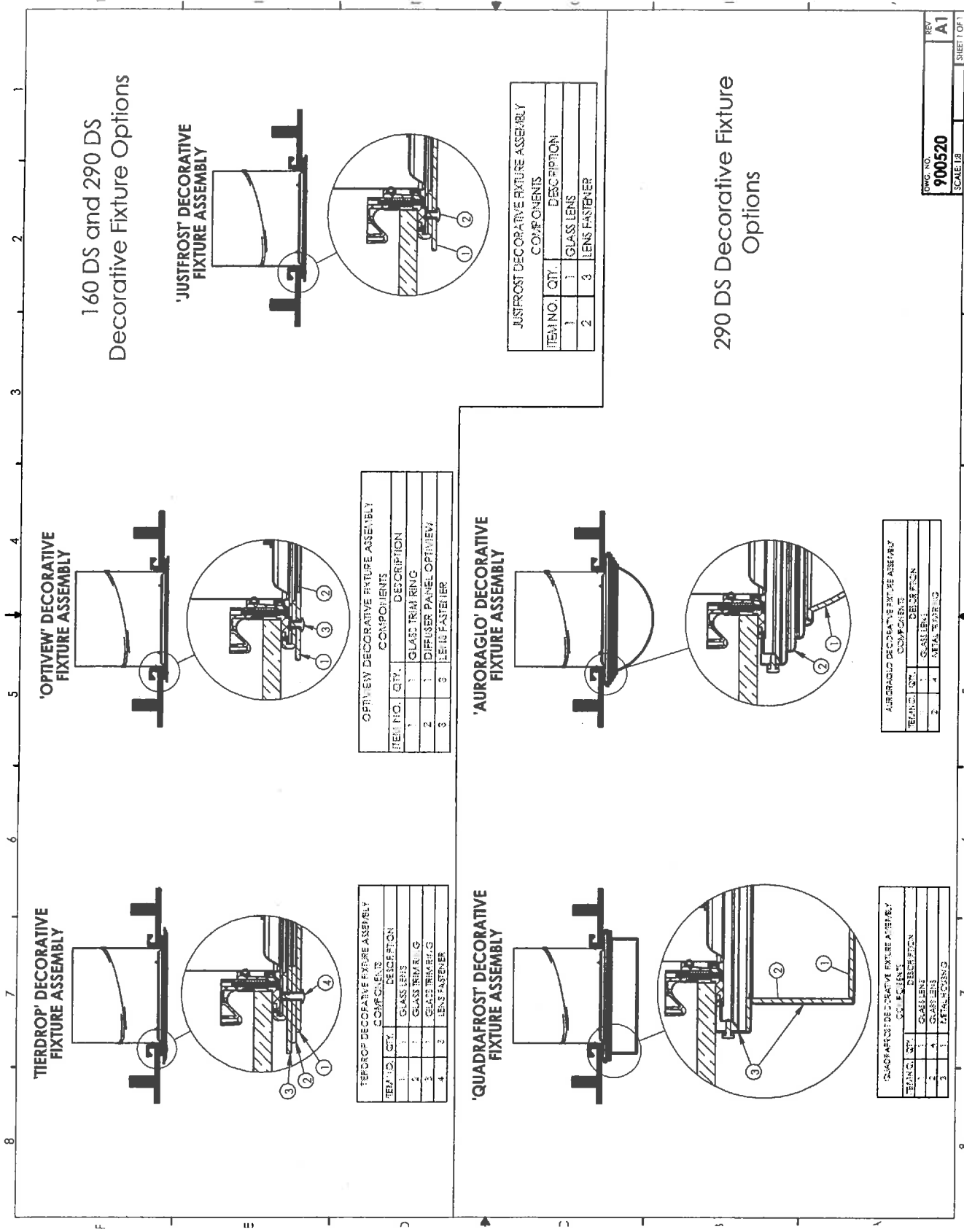
## 'JUST FROST' DIFFUSER ASSEMBLY



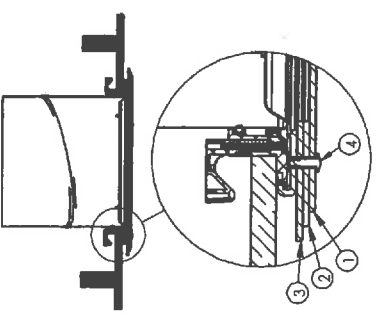
'JUST FROST' DIFFUSER ASSEMBLY COMPONENTS				
ITEM NO.	QTY.	PART NO.	DESCRIPTION	MATERIAL
1	1	400295	GLASS DISK 290 DS	TEMPERED GLASS
2	3	700915	SPANNER NUT	STAINLESS STEEL
3	3	700925	SHOULDER SCREW M5	STAINLESS STEEL

## 290 DS DECORATIVE DIFFUSER OPTIONS

DWG. NO.	REV
900520	B
SCALE 1:3	SHEET 3 OF 3

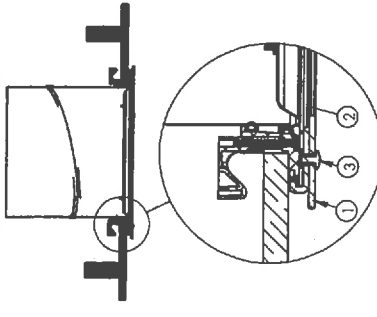


**'TIERDRO' DECORATIVE  
FIXTURE ASSEMBLY**



TIERDRO DECORATIVE FIXTURE ASSEMBLY		COMPONENTS	
ITEM NO.	QTY.	DESCRIPTION	
1	1	GLASS LENS	
2	1	GLASS TRIM RING	
3	1	GLASS TRIM RING	
4	3	LENS FASTENER	

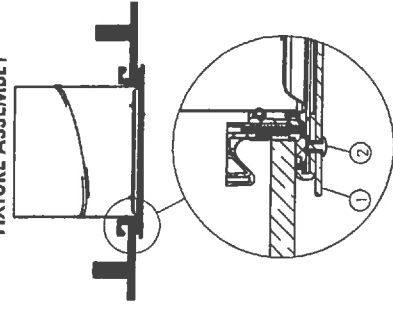
**'OPTIVIEW' DECORATIVE  
FIXTURE ASSEMBLY**



OPTIVIEW DECORATIVE FIXTURE ASSEMBLY		COMPONENTS	
ITEM NO.	QTY.	DESCRIPTION	
1	1	GLASS TRIM RING	
2	1	DIFFUSER PANEL OPTIVIEW	
3	3	LENS FASTENER	

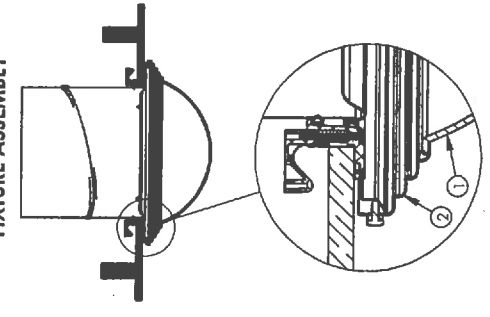
**160 DS and 290 DS  
Decorative Fixture Options**

**'JUSTFROST' DECORATIVE  
FIXTURE ASSEMBLY**



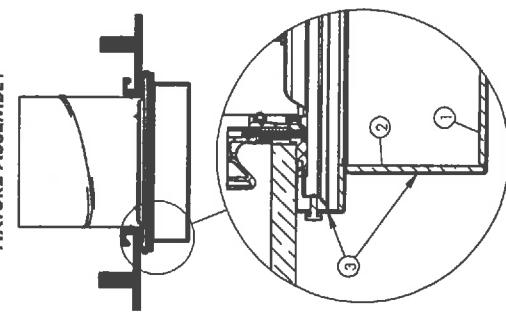
JUSTFROST DECORATIVE FIXTURE ASSEMBLY		COMPONENTS	
ITEM NO.	QTY.	DESCRIPTION	
1	1	GLASS LENS	
2	3	LENS FASTENER	

**'AURORAGLO' DECORATIVE  
FIXTURE ASSEMBLY**



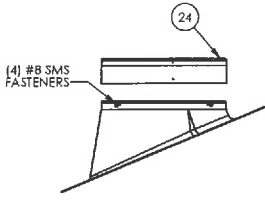
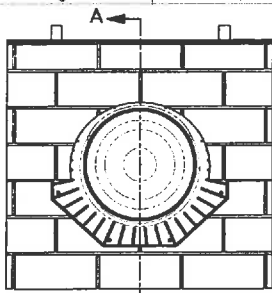
AURORAGLO DECORATIVE FIXTURE ASSEMBLY		COMPONENTS	
ITEM NO.	QTY.	DESCRIPTION	
1	1	GLASS LENS	
2	4	METAL FASTENERS	

**'QUADRAFROST' DECORATIVE  
FIXTURE ASSEMBLY**

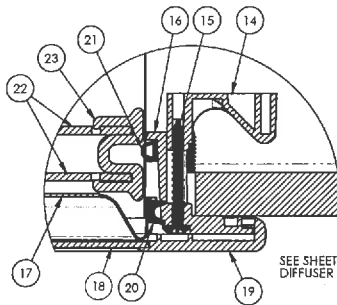


QUADRAFROST DECORATIVE FIXTURE ASSEMBLY		COMPONENTS	
ITEM NO.	QTY.	DESCRIPTION	
1	1	GLASS LENS	
2	4	GLASS LENS	
3	1	METAL FASTENERS	

REVISIONS				
REV.	BCO	DATE	REVIEWED	APPROVED
A	1707-1	16 FEB 09	MERCADO	
B		20 SEP 12	CSTEVENS	

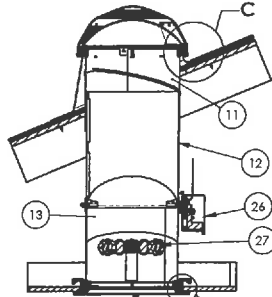
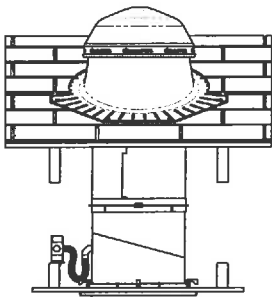


FLASHING SHOWN WITH OPTIONAL 2'-48" TALL TURRET EXTENSION

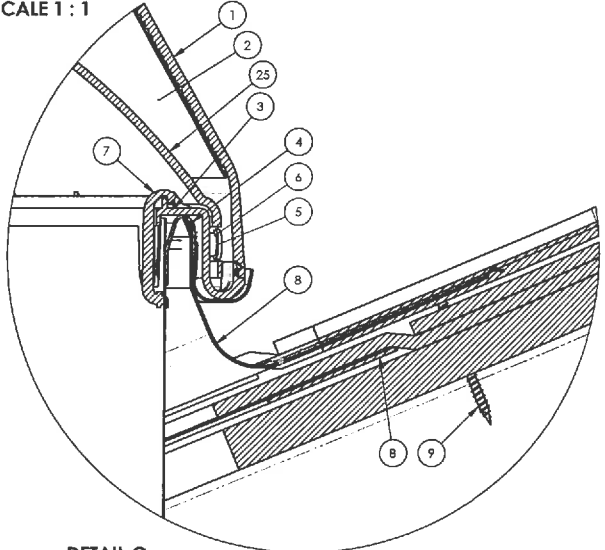


DETAIL B SCALE 1 : 1

SEE SHEET 3 FOR ALTERNATE DIFFUSER CONFIGURATIONS



SECTION A-A



DETAIL C SCALE 1 : 1

ITEM NO	QTY.	PART NO.	DESCRIPTION	MATERIAL
1	1	410820	DOME 290 DS	PMMA
2	1	410830	LIGHTTRACKER REFLECTOR 290 DS	ALUMINUM LAMINATE
3	1	410800	DOME RING 290 DS	PMMA
4	1	600320	DOME RING SEAL 290 DS	EPDM FOAM
5	4	700290	SCREW #8 X 1" SMS	STEEL
6	4	410730	DOME RING SPACER	POLYAMIDE
7	4	410750	TOP TUBE CLIP	PMMA
8	1	VARIES*	FLASHING	STEEL
9	1	700280	SEALANT URETHANE	URETHANE
10	8	700480	SCREW #10 X 2" SMS	STEEL
11	1	302220	TOP TUBE 290 DS	ALUMINUM LAMINATE
12	1	301810	EXT. TUBE 16" 290 DS	ALUMINUM LAMINATE
13	1	302120	BOTTOM TUBE 290 DS	ALUMINUM LAMINATE
14	4	412220	CLAMP	POLYAMIDE
15	4	700450	SCREW #8 x 1.5" SMS	STEEL
16	1	410415	CEILING RING 290 DS	PMMA
17	1	421345	290 DS NATURAL EFFECT LENS	PET
18	1	410530	290 DS DIFFUSER PANEL	PMMA
19	1	410520	DRESS RING 290 DS	PMMA
20	1	600290	290 DS DIFFUSER SEAL	EPDM FOAM
21	1	600445	O-SEAL HOLLOW	EPDM FOAM

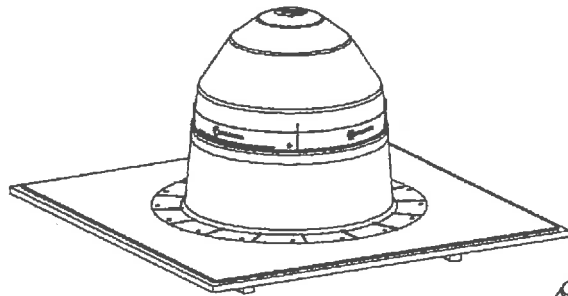
OPTIONAL COMPONENTS				
ITEM NO	QTY.	PART NO.	DESCRIPTION	MATERIAL
22	2	420280	290 DS INSULATION PANEL	PMMA
23	4	430270	INSULATION PANEL CLIP	PMMA
24	1	VARIES**	TURRET EXTENSION	STEEL
25	1	410810	290 DS DOME SHOCK INNER	PMMA
26	1	570002	290 DS DAYLIGHT DIMMER	
27	1	510000	UNIVERSAL LIGHT KIT	

\* PMS 200760, 200651, 230445, 230630  
 \*\* PMS 230450, 230780, 230640, 230650, 230660, 230670

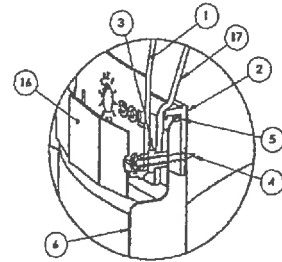
UNLESS OTHERWISE SPECIFIED: TOLERANCES ANGULAR: 30.5° INCH: MILLIMETER X ± .1 XX ± .25 XXX ± .50 XXX ± .005 [XXX] ± .12	PROPRIETARY AND CONFIDENTIAL THE INFORMATION CONTAINED IN THIS DRAWING IS THE SOLE PROPERTY OF SOLATUBE. ANY REPRODUCTION IN PART OR AS A WHOLE WITHOUT THE WRITTEN PERMISSION OF SOLATUBE IS PROHIBITED.
MATERIAL: _____	DRAWN BY: STEVENS DATE: 8/11/10
FINISH: _____	CHECKED BY: _____ DATE: _____
DO NOT SCALE DRAWING	APPROVED BY: _____ DATE: _____

**SOLATUBE**  
 290 DS, 14" SOLATUBE ASSY  
 PITCHED FLASHING  
 290-PF-HC-STD

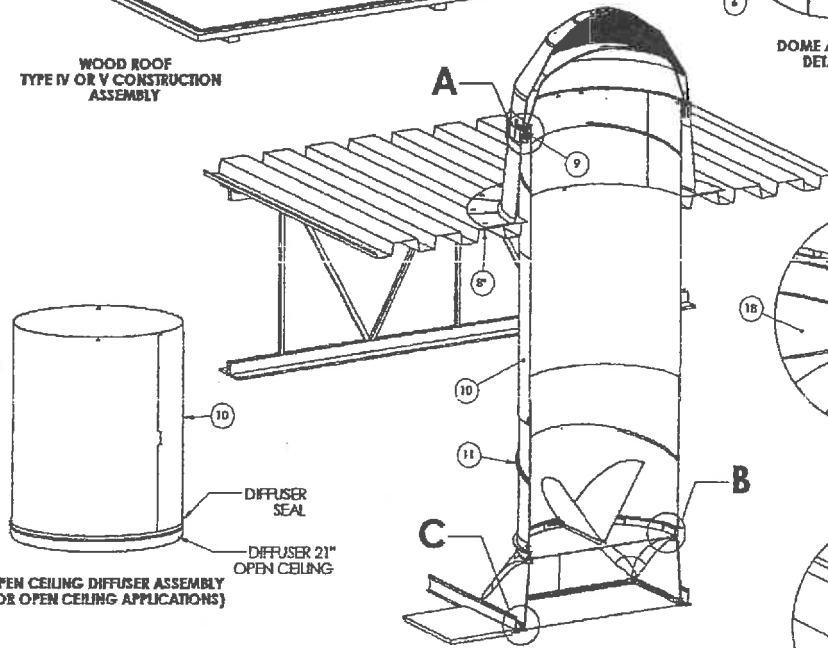
REV: 900520  
 SCALE: 1:10  
 SHEET 1 OF 3



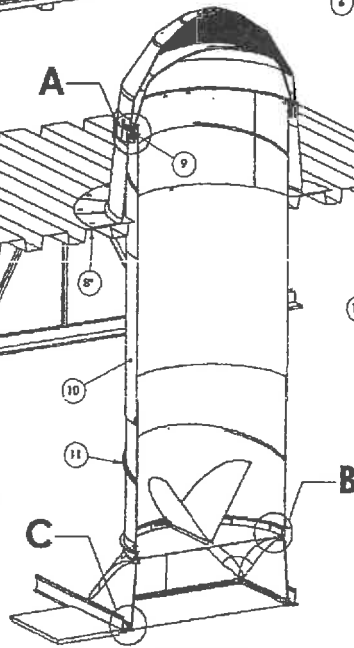
WOOD ROOF  
TYPE IV OR V CONSTRUCTION  
ASSEMBLY



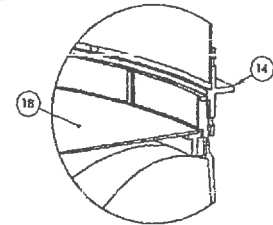
DOME ASSEMBLY  
DETAIL 'A'



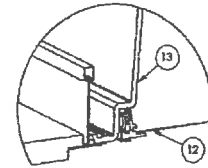
OPEN CEILING DIFFUSER ASSEMBLY  
(FOR OPEN CEILING APPLICATIONS)



METAL ROOF  
TYPE II OR III CONSTRUCTION  
WITH ROUND TO SQUARE TRANSITION  
DIFFUSER ASSEMBLY  
(FOR CLOSED CEILING APPLICATIONS)

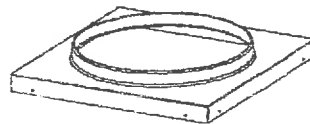


DETAIL 'B'

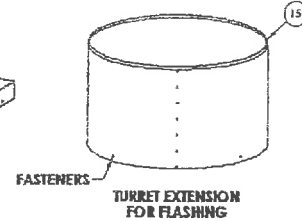


CEILING ASSEMBLY  
DETAIL 'C'

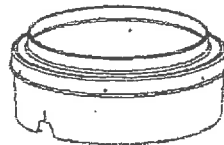
ITEM NO.	QTY.	DESCRIPTION
1	1	OUTER DOME
2	1	TUBE RING
3	6	SPACER
4	1	SCREW #8 X 1.5" SMS
5	1	GLAZING ROPE
6	1	FLASHING
8"	8	SCREW #10 X 2" SMS
9	1	TOP TUBE
10	1	EXTENSION TUBE
11	1	BOTTOM TUBE
12	1	DIFFUSER
13	1	RTS TRANSITION
OPTIONAL COMPONENTS		
14	1	DAYLIGHT DIMMER
15	1	TURRET EXTENSION
16	1	DOME EDGE PROTECTION BAND
17	1	INNER DOME
18	1	NATURAL EFFECTS LENS



CURB FLASHING



FASTENERS  
TURRET EXTENSION  
FOR FLASHING



METAL ROOF FLASHING  
(FOR NON-CORRUGATED ROOF TYPE)



NO-PITCH FLASHING

\* USE (14) #10 TEK SCREWS FOR METAL ROOF

FIGURE 3 -750 DS SOLATUBE WITH DETAILS

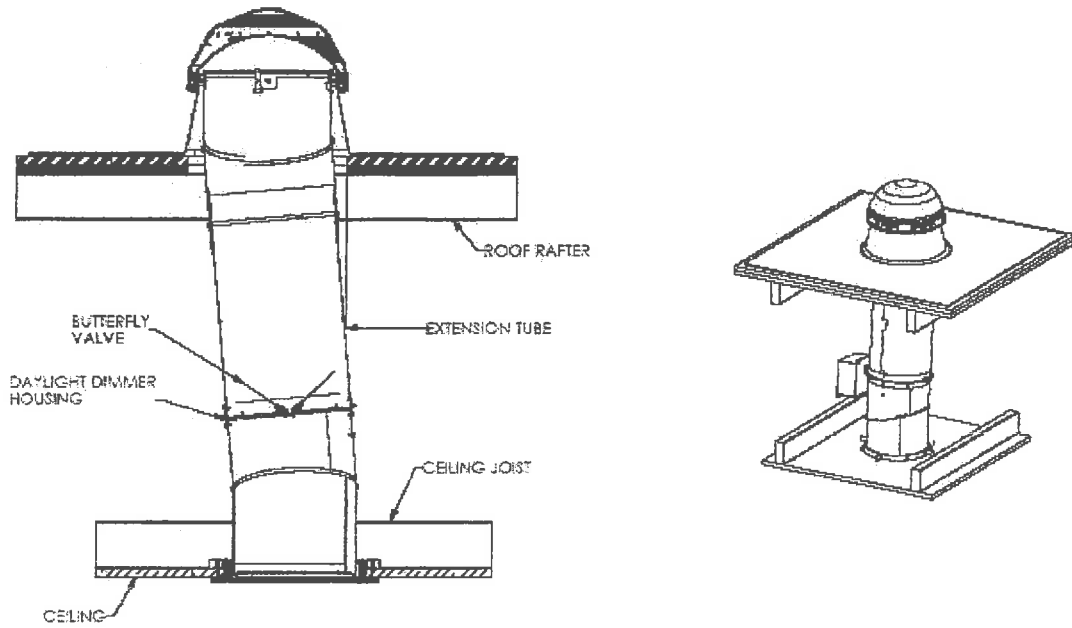
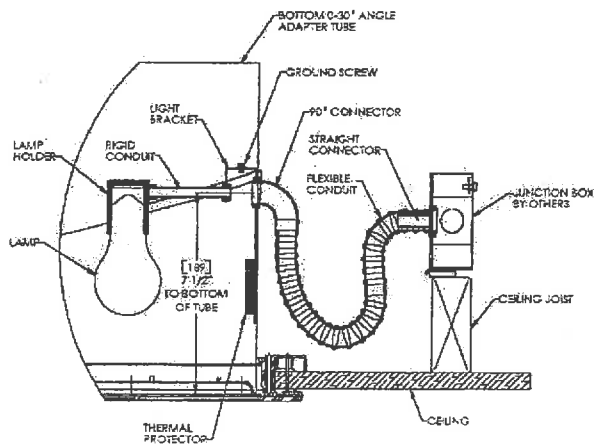
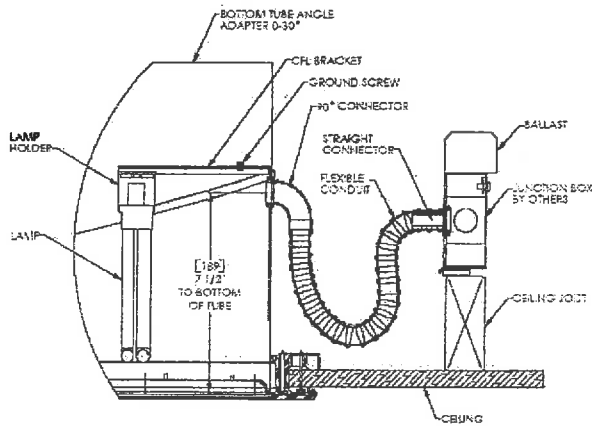
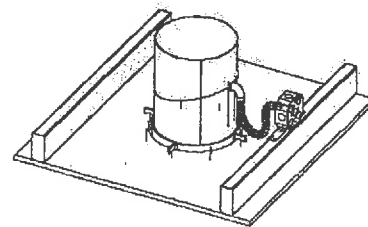


Figure 5 - Typical Solatube Daylight Dimmer Assembly



Incandescent Lamp Assembly



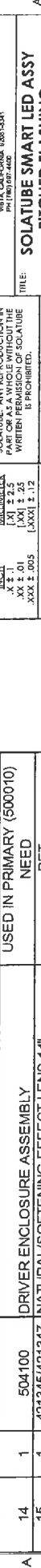
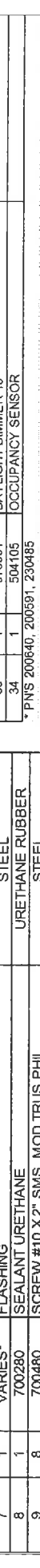
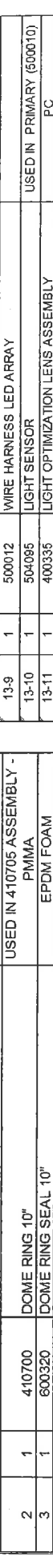
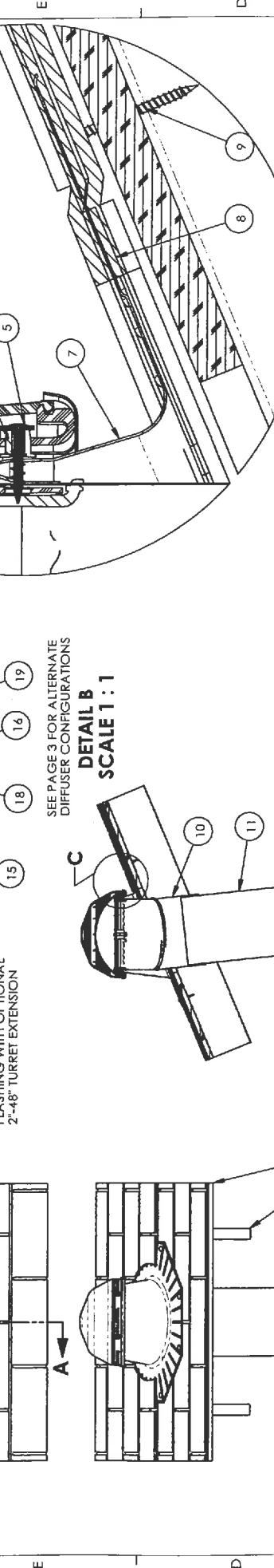
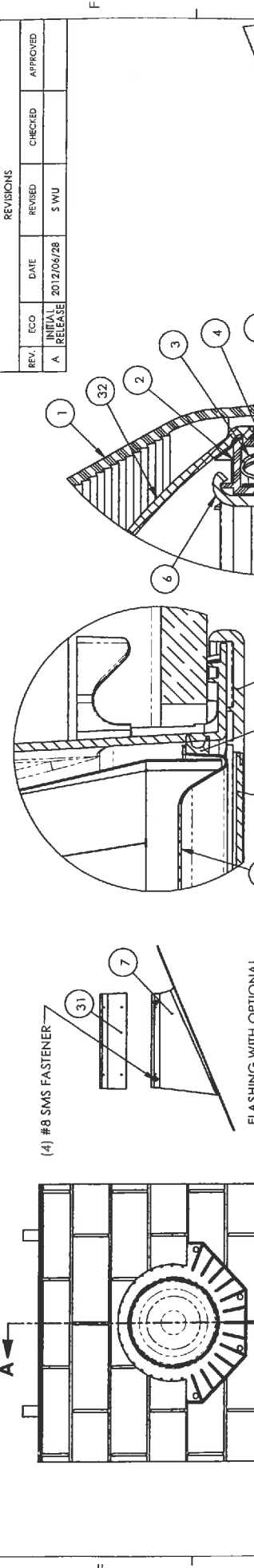
Compact Fluorescent Lamp Assembly

Notes:

1) Evaluation of these Light Fixtures for compliance to applicable electrical codes is not part of this report.

Figure 4 - Typical Solatube Light Kit Assemblies





- NOTES:  
 1. STRUCTURAL ELEMENTS (PLYWOOD, RAFTERS, DRYWALL ETC.) BY OTHERS & SHOWN FOR REFERENCE ONLY  
 2. ALL TUBE JOINTS & SEAMS TAPED WITH 2" FOIL TAPE (NOT SHOWN)

ITEM NO.	QTY.	PART NO.	DESCRIPTION	MATERIAL
1	1	410720	OUTER DOME 10"	PMMA
2	1	410700	DOME RING 10"	USED IN 410705 ASSEMBLY - PMMA
3	1	600320	DOME RING SEAL 10"	EPDM FOAM
4	4	410730	DOME RING SPACER	POLYAMIDE
5	4	700240	SCREW #8 X 1" MOD TR HD	STEEL
6	4	410750	TOP TUBE CLIP	PMMA
7	1	VARIES*	FLASHING	STEEL
8	1	700280	SEALANT URETHANE	URETHANE RUBBER
9	8	700480	SCREW #10 X 2" SMS, MOD TRUS PHIL	STEEL
10	1	302210	TUBE 10"	ALUMINUM LAMINATE
11	1	301800	TUBE 16" EXTENSION 10"	ALUMINUM LAMINATE
12	1	302110	BOTTOM TUBE 10"	ALUMINUM LAMINATE
13	1	500010/500014	SMART LED BASE PRIMARY/SECONDARY	USED IN PRIMARY (500010) NEED PET
14	1	504100	DRIVER ENCLOSURE ASSEMBLY	PET
15	1	421345/421347	NATURAL/SOFTENING EFFECT LENS 14"	EPDM FOAM
16	1	600290	DIFFUSER SEAL 14"	EPDM FOAM
17	1	600445	D SEAL HOLLOW (NOT SHOWN)	PMMA
18	1	410530	DIFFUSER PANEL 14"	PMMA
19	1	410520	DRESS RING 14"	PMMA

ITEM NO.	QTY.	PART NO.	DESCRIPTION	MATERIAL
13-1	1	400300	AMPLIFIER HOUSING	PMMA
13-2	3**	400310	AMPLIFIER COVER	PMMA
13-3	1	400320	AMPLIFIER COVER PCB	USED IN PRIMARY (500010) USED IN 400305 ASSEMBLY - STEEL
13-4	6	700450	SCREW #8 X 1-3/4" SMS PHIL PAN A/B THREAD	STEEL
13-5	6	410220	FASTENING CLAMP	USED IN 400305 ASSEMBLY - POLYAMIDE
13-6	4	700670	SCREW #6 X 1-5/8" PHILLIPS BUGLE	STEEL
13-7	1	400365/400366	AMPLIFIER PRIMARY/SECONDARY	USED IN 300755/300756 ASSEMBLY - ALUMINUM
13-8	1	500011	CONTROLLER LED PCB	USED IN PRIMARY (500010)
13-9	1	500012	WIRE HARNESS LED ARRAY	USED IN PRIMARY (500010)
13-10	1	504095	LIGHT SENSOR	PC
13-11	1	400335	LIGHT OPTIMIZATION LENS ASSEMBLY	

ITEM NO.	QTY.	PART NO.	DESCRIPTION	MATERIAL
31	1	VARIES***	TURRET EXTENSION	STEEL
32	1	410710	DOME SHOCK INNER 10"	PMMA
33	1	570001	DAYLIGHT DIMMER 10"	
34	1	504105	OCCUPANCY SENSOR	

\* P/Ns 200640, 200691, 230485  
 \*\* FOR SECONDARY (500014) QTY 4  
 \*\*\* P/Ns 230450, 230740, 230500, 230510, 230520, 230530

UNLESS OTHERWISE SPECIFIED:  
 TOLERANCES:  
 ANGULAR ±0.4°  
 HOLE MILLIMETER  
 .X ± .1  
 .XX ± .01  
 .XXX ± .005  
 [MAX] ± .12

PROPRIETARY AND CONFIDENTIAL  
 THIS DRAWING IS THE SOLE PROPERTY OF SOLATUBE. ANY REPRODUCTION IN PART OR AS A WHOLE WITHOUT THE WRITTEN PERMISSION OF SOLATUBE IS PROHIBITED.

DATE: 2012/06/28  
 DRAWN BY: SEALAND WU  
 CHECKED BY: S WU  
 APPROVED BY: S WU

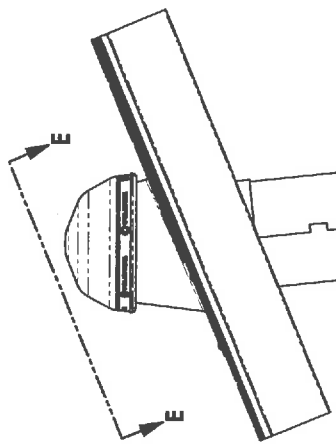
DO NOT SCALE DRAWING

SCALE: 1:10

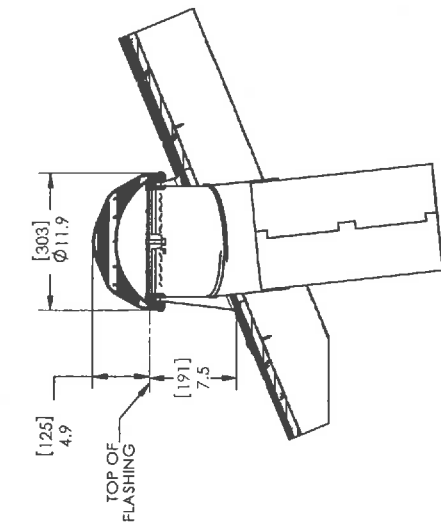
REV: A

SHEET 1 OF 3

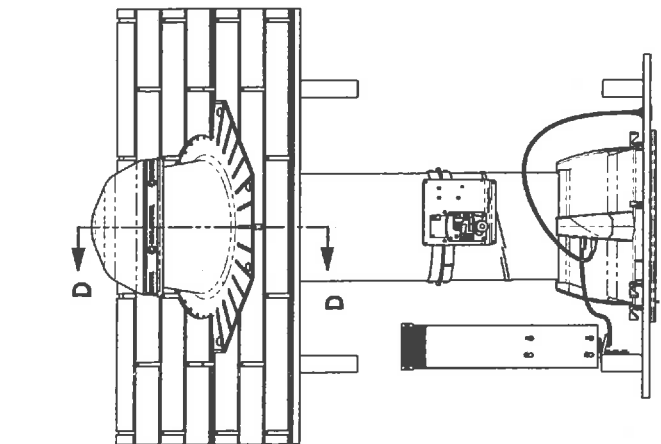
**SOLATUBE.**  
 SOLATUBE SMART LED ASSY  
 PITCHED FLASHING



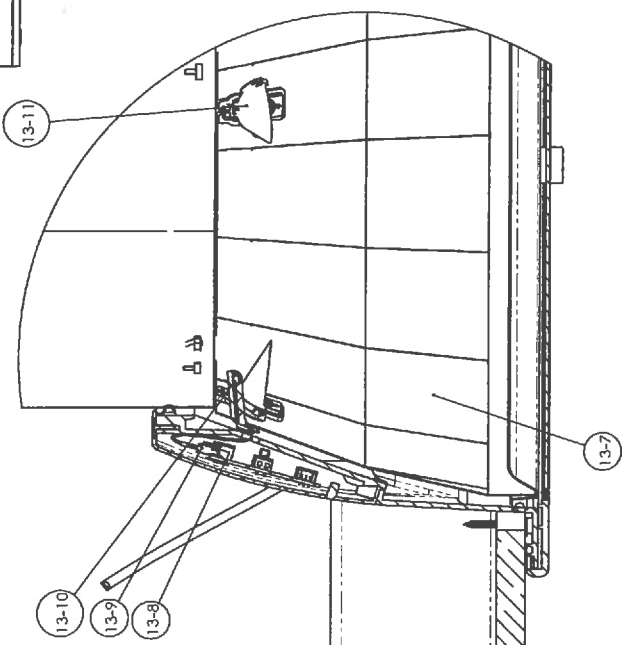
**SECTION E-E**  
FLASHING  
FASTENER SPACING



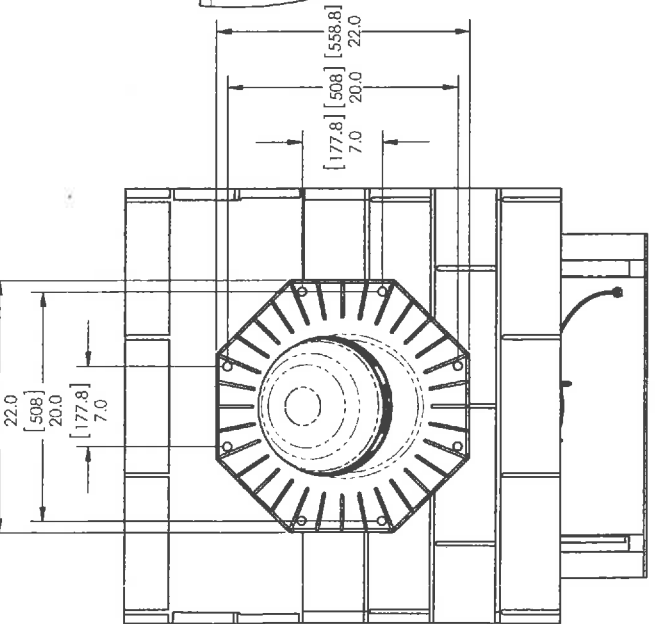
**SECTION D-D**



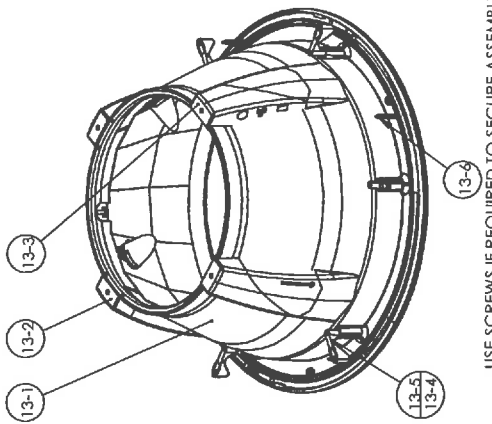
**DETAIL B-J**  
SCALE 1 : 2



**SECTION A-A**  
SMART LED BASE PRIMARY/SECONDARY



**SECTION C-C**  
SMART LED BASE PRIMARY/SECONDARY



**SECTION F-F**  
SMART LED BASE PRIMARY/SECONDARY

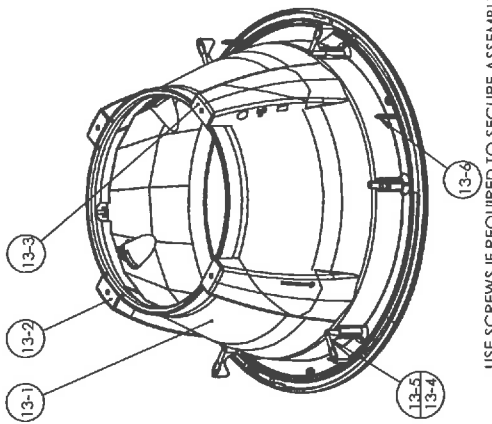
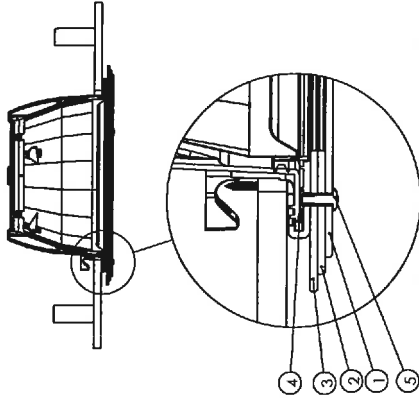


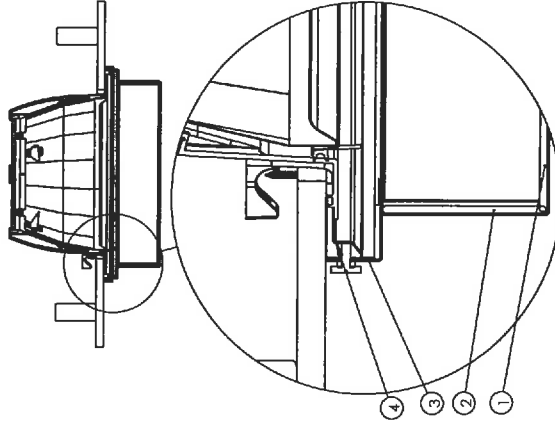
FIG. NO.	REV.
SSL-PF-HC-STD	A
SCALE: 1/8	SHEET 2 OF 3

**'TIER DROP' DIFFUSER ASSEMBLY**



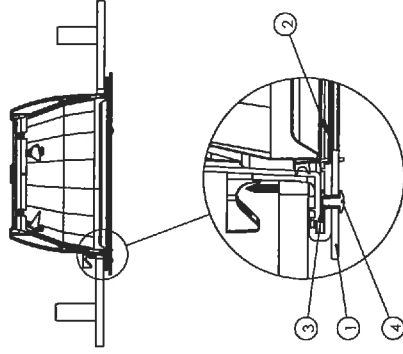
ITEM NO.	QTY.	PART NO.	DESCRIPTION	MATERIAL
1	1	400295	GLASS DISK 290 DS	TEMPERED GLASS
2	1	400296	MIDDLE GLASS RING 290 DS	TEMPERED GLASS
3	1	400297	TOP GLASS RING 290 DS	TEMPERED GLASS
4	3	700915	SPANNER NUT	STAINLESS STEEL
5	3	700925	SHOULDER SCREW M5	STAINLESS STEEL

**'QUADRA FROST' DIFFUSER ASSEMBLY**



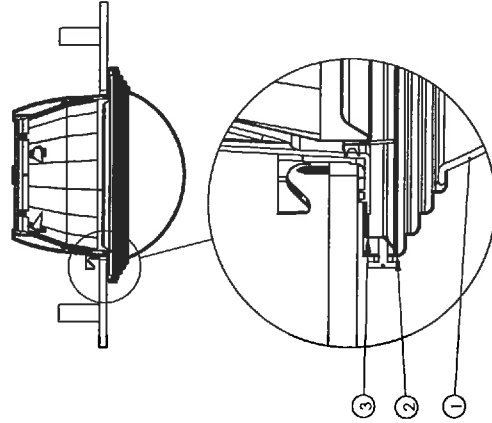
ITEM NO.	QTY.	PART NO.	DESCRIPTION	MATERIAL
1	1	400299	290 DS SQ. BOTTOM GLASS	TEMPERED GLASS
2	4	400294	290 DS SQ. SIDE GLASS	TEMPERED GLASS
3	1	492914	290 DS SQ. FRAME BRACKET ASSY.	STEEL
4	1	492900	290DS CEILING RING BELT	STEEL

**'OPTIVIEW' DIFFUSER ASSEMBLY**



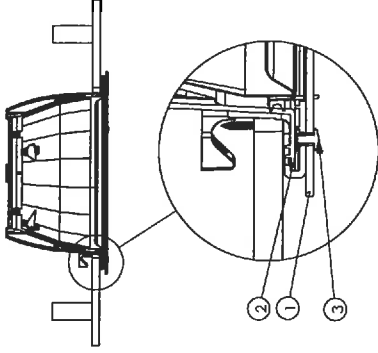
ITEM NO.	QTY.	PART NO.	DESCRIPTION	MATERIAL
1	1	400290	GLASS DISK CENTER CLEAR 290 DS	TEMPERED GLASS
2	1	420060	DIFFUSER 290 PANEL OPTIVIEW	PC
3	3	700915	SPANNER NUT	STAINLESS STEEL
4	3	700925	SHOULDER SCREW M5	STAINLESS STEEL

**'AURORA GLO' DIFFUSER ASSEMBLY**



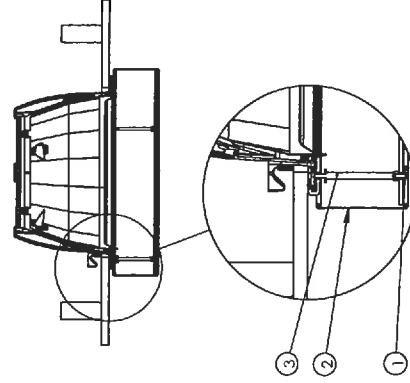
ITEM NO.	QTY.	PART NO.	DESCRIPTION	MATERIAL
1	1	400292	290 DS GLASS ROUND	TEMPERED GLASS
2	4	492902	290 DS ROUND BOWL ROSE ASSY.	STEEL
3	1	492900	290DS CEILING RING BELT	STEEL

**'JUST FROST' DIFFUSER ASSEMBLY**



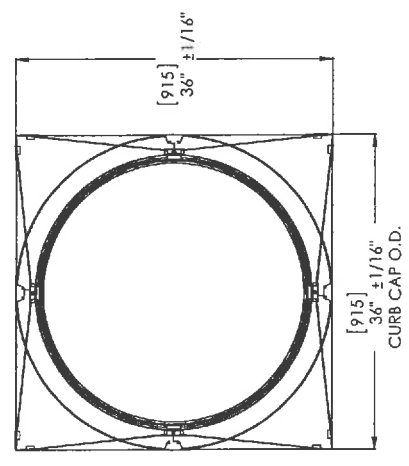
ITEM NO.	QTY.	PART NO.	DESCRIPTION	MATERIAL
1	1	400295	GLASS DISK 290 DS	TEMPERED GLASS
2	3	700915	SPANNER NUT	STAINLESS STEEL
3	3	700925	SHOULDER SCREW M5	STAINLESS STEEL

**'VIVID SHADE' DIFFUSER ASSEMBLY**

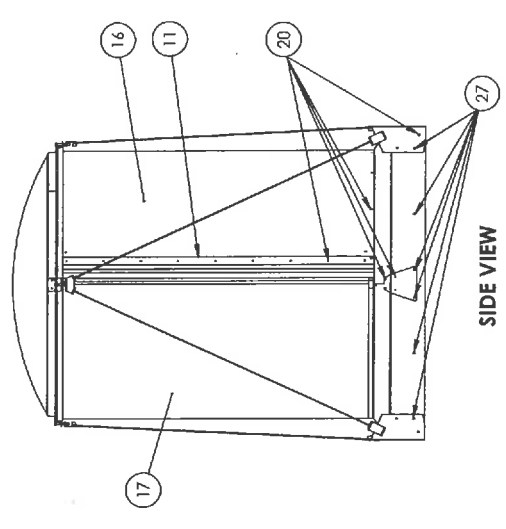


ITEM NO.	QTY.	PART NO.	DESCRIPTION	MATERIAL
1	1	400295	290 DS GLASS DISK	TEMPERED GLASS
2	1	492905	290DS SHADE FABRIC	FABRIC
3	1	701060	STAND-OFF 10CM	STEEL

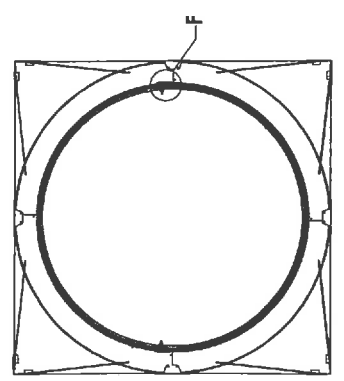
1 2 3 4 5 6 7 8



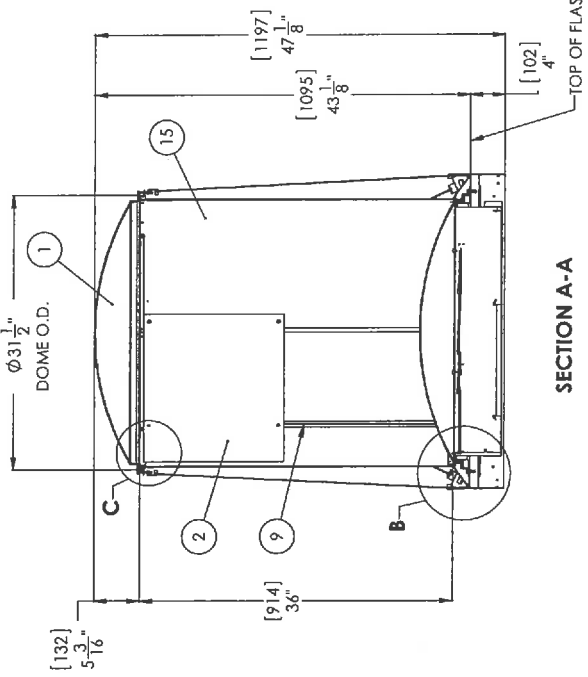
TOP VIEW



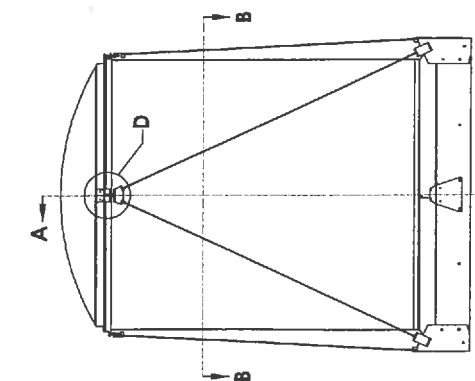
SIDE VIEW



SECTION B-B



SECTION A-A



FRONT VIEW

ITEM NO.	PART NUMBER	DESCRIPTION	QTY.
1	508015	OUTER DOME M74 DS	1
2	409555	RAYBENDER HD LENS M74 DS	1
3	482045	DOMERETAINER BAND ASSY M74 DS	1
4	404070	DOMERETAINER M74 DS	1
5	700385	SCREW 10-24 X 1-1/4\"/>	

UNLESS OTHERWISE SPECIFIED:  
 DIMENSIONS TO CENTERLINE UNLESS NOTED OTHERWISE  
 DIMENSIONS TO FACE UNLESS NOTED OTHERWISE  
 DIMENSIONS TO CENTERLINE UNLESS NOTED OTHERWISE  
 DIMENSIONS TO FACE UNLESS NOTED OTHERWISE

**SOLATUBE**  
 SOLATUBE INTERNATIONAL, INC.  
 17700 W. 10TH AVENUE  
 BOULDER, CO 80504

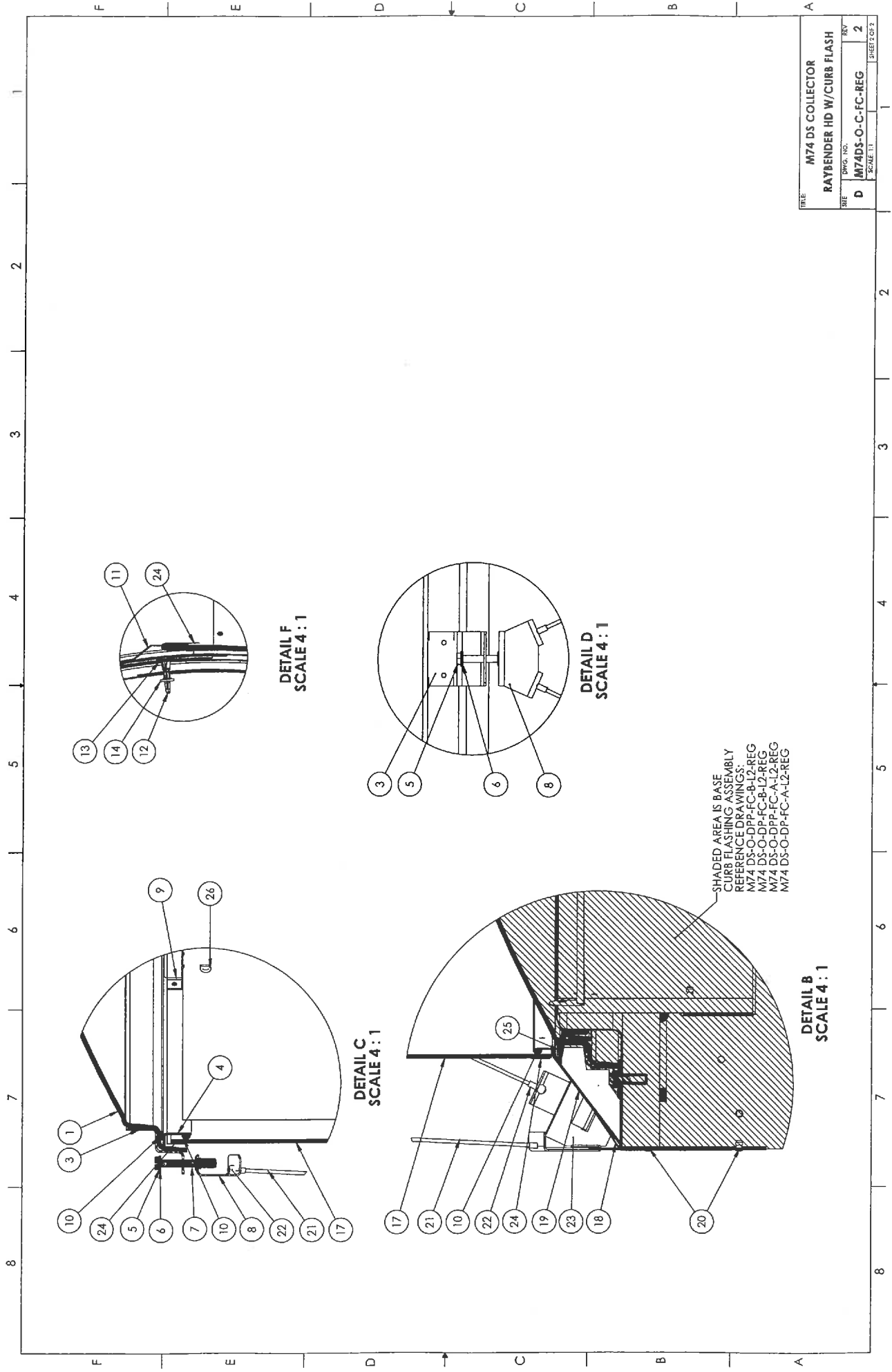
DATE: 17 FEB 14  
 DRAWN BY: STEVENS  
 CHECKED BY: [ ]  
 APPROVED BY: [ ]

SCALE: 2:1

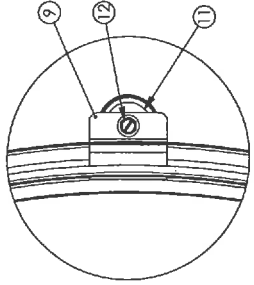
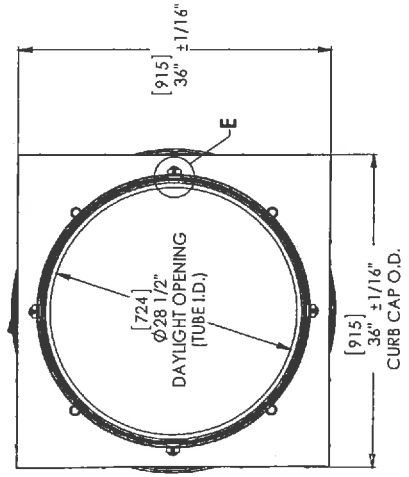
ITEM: M74 DS COLLECTOR  
 TITLE: RAYBENDER HD W/CURB FLASH  
 SHEET: D M74DS-O-C-FC-REG

REV: 2

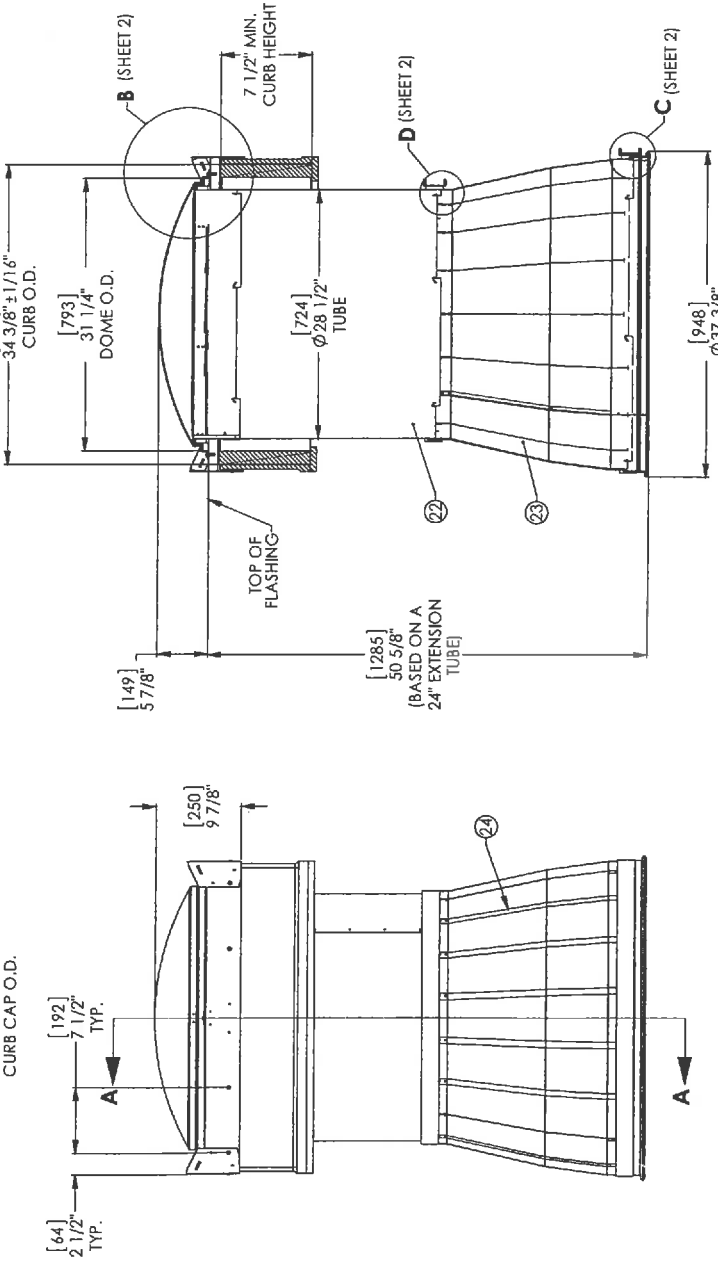
NOTES:  
 1. M74 DS COLLECTOR RAYBENDER HD SHOWN ASSEMBLED TO M74 DS CURB FLASHING ASSEMBLY (SEE DETAIL D ON SHIT 2)



2  
3  
4  
5  
6  
7  
8



**DETAIL E  
SCALE 4 : 1  
(4 PLACES)**



**SECTION A-A**

NOTE:  
1. CONSECUTIVE METAL BELTS & EXTENSION TUBES MAY BE ADDED ACCORDING TO PROJECT LIGHTING REQUIREMENTS  
2. BOM ITEM NO. 4 IS OPTIONAL

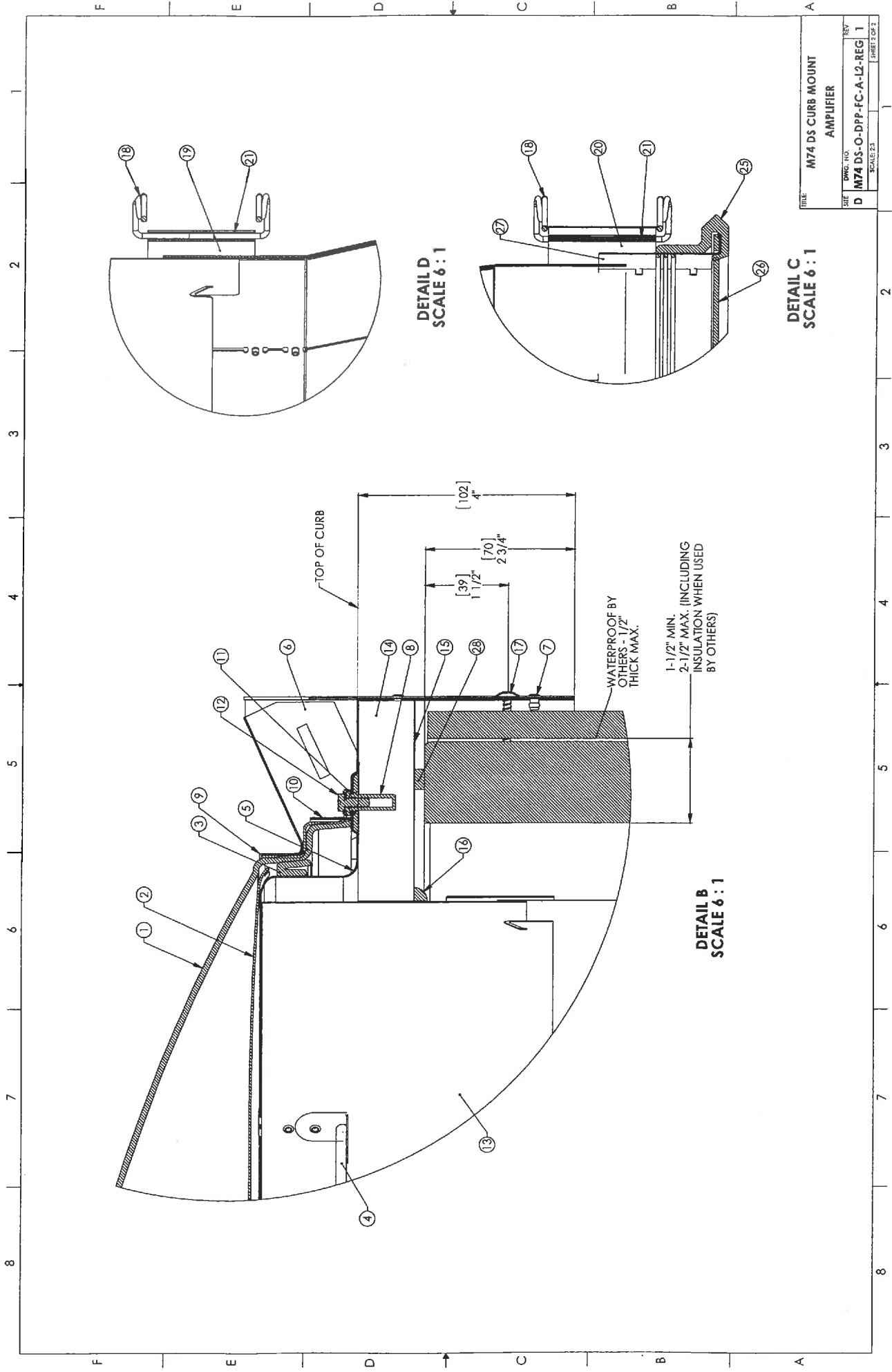
ITEM NO.	PART NUMBER	DESCRIPTION	QTY.
1	508015	OUTER DOME M74 DS	1
2	510510	INNER THERMAL DISC M74 DS	1
3	600420	CLOSED CELL FOAM L' PROFILE	1
4	480015	SECURITY WIRE GRD ASSY (OPTIONAL)	1
5	210225	CURB CAP M74 DS	1
6	210210	CORNER BRACKET M74 DS	4
7	700635	RIVET 1/8"	29
8	504205	RIVET NUT #10-24 CLOSED END	4
9	480045	DOME RETAINER BAND ASSY M74 DS	1
10	400685	DOME EDGE PROTECTION BAND M74 DS	1
11	700445	BONDED WASHER	4
12	504215	SCREW 10-24 X 5/8" HEX WASHER	4
13	410420	TUBE RING COLLAR M74 DS	1
14	500375	INSULATION SECTION, RIGID	4
15	601090	FOIL TAPE 2" WIDE	1.3 FT
16	700300	SEALANT	1
17	700480	SCREW 10 X 2" SMS	16
18	520025	TORSION SPRING M74 DS	2
19	504000	METAL BELT M74 DS	1
20	503990	METAL BELT M74 DS AMPLIFIER	1
21	504010	BELT HASP	2
22	320325/300475	24" / 48" EXTENSION TUBE M74 DS	1
23	400195	M74 DS AMPLIFIER SECTION	3
24	600010	FOIL TAPE 3/4" WIDE	37 FT
25	410055	DRESS RING SEAL M74 DS AMPLIFIER	1
26	420986	DIFFUSER M74 DS AMP - PRISMATIC PANEL	1
27	420735	DIFFUSER COLLAR ASSY M74 DS AMP	1
28	600325	CLOSED CELL FOAM 3/16 X 3/8	19 FT

**SOLATUBE**  
POLYMER INTERNATIONAL INC.  
10410 E. COLLEEN AVENUE  
DENVER, CO 80231  
WWW.SOLATUBE.COM

DATE: 11 SEP 13  
DRAWN BY: [REDACTED]  
CHECKED BY: [REDACTED]  
APPROVED BY: [REDACTED]

TITLE: M74 DS CURB MOUNT  
DWG. NO.: D  
SCALE: 2:1

PROJECT: M74 DS-O-DPP-FC-A-L2-REG 1  
SHEET 1 OF 2



TITLE	M74 DS CURB MOUNT AMPLIFIER
SHEET NO.	D
DRWG. NO.	M74 DS-O-DPP-FC-A-12-REG 1
SCALE	SCALE 2:3
REV	1
SHEET 2 OF 2	