



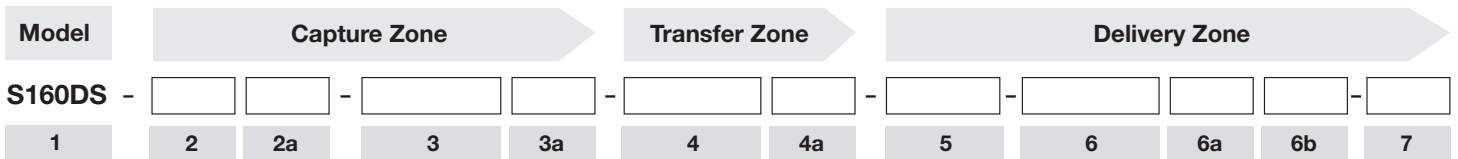
# Model: Solatube 160 DS Square (10 in/250 mm Daylighting System)

Project: \_\_\_\_\_

Location: \_\_\_\_\_

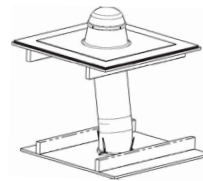
Type: \_\_\_\_\_

Product Specifications Appear in CSI Division 08, Section 08 62 23. For budgeting and quotations use only. Qty: \_\_\_\_\_



**1 Model**

**160 DS Brighten Up®** Solatube 160 DS (10 in/250 mm Daylighting System)



## Capture Zone

**2 Domes**

- DA** Acrylic Dome
- DAI** Acrylic Dome + Shock Inner Dome (Acrylic)  
Required for High Velocity Hurricane Zones

**2a Dome Options** (Leave blank if not desired)

- PB** Dome Edge Protection Band

**3 Flashings**

- |   |   |   |   |  |   |
|---|---|---|---|--|---|
| <b>FP</b> 4 in. (102 mm)<br>Pitched Metal,<br>Self Mounted        |  | <b>F4</b> 4 in. (102 mm)<br>Flat/No Pitch<br>Metal, Self Mounted  |  | <b>F6</b> 6 in. (152 mm)<br>Flat/No Pitch Metal,<br>Self Mounted |  |
| <b>FPT</b> 4 in. (102 mm)<br>Tile Roof, Pitched<br>Metal Flashing |  | <b>FT</b> 4 in. (102 mm)<br>Tile Roof, No Pitch<br>Metal Flashing |  | <b>NO PHOTO</b>  |   |

**3a Flashing Options** (Leave blank if not desired)

- T2\*** Roof Flashing Turret Extension 2 in/51 mm
- T4\*** Roof Flashing Turret Extension 4 in/102 mm
- T12\*** Roof Flashing Turret Extension 12 in/305 mm
- T24\*** Roof Flashing Turret Extension 24 in/610 mm
- T36\*** Roof Flashing Turret Extension 36 in/914 mm
- T48\*** Roof Flashing Turret Extension 48 in/1219 mm
- FI** Flashing Insulator
- MR** Metal Roof Installation Kit

\* Specify additional extension tubes in #4

## Transfer Zone

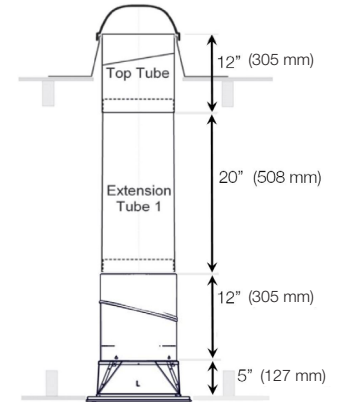
### 4 Extension Tubes Required

Run measured from top of roof deck to bottom of ceiling plane along centerline of tubing.

- |  |  |
|--|--|
| <b>E0</b> Base Kit, No Extension Tubes – Max Run = 22 in. (559 mm) | <b>E7</b> Seven Extension Tubes – Max Run = 176 in. (4470 mm)      |
| <b>E1</b> One Extension Tube – Max Run = 44 in. (1118 mm)          | <b>E8</b> Eight Extension Tubes – Max Run = 198 in. (5029 mm)      |
| <b>E2</b> Two Extension Tubes – Max Run = 66 in. (1676 mm)         | <b>E9</b> Nine Extension Tubes – Max Run = 220 in. (5588 mm)       |
| <b>E3</b> Three Extension Tubes – Max Run = 88 in. (2235 mm)       | <b>E10</b> Ten Extension Tubes – Max Run = 242 in. (6147 mm)       |
| <b>E4</b> Four Extension Tubes – Max Run = 110 in. (2794 mm)       | <b>EXX</b> Total Run Length to be Determined by Bidding Contractor |
| <b>E5</b> Five Extension Tubes – Max Run = 132 in. (3353 mm)       |  |
| <b>E6</b> Six Extension Tubes – Max Run = 154 in. (3912 mm)        |  |

### 4a Extension Tube Options (Leave blank if not desired)

- |   |                                   |
|---|-----------------------------------|
| <b>A1</b> One 0-90 Degree Extension Tube (Angle Adapter)  | <b>E</b> Wire Suspension Kit      |
| <b>A2</b> Two 0-90 Degree Extension Tubes (Angle Adapter) | <b>SCG</b> Severe Climate Glazing |



## Delivery Zone

### 5 Bottom Assembly

- TM** Transition Box Metal

### 6 Diffusers/Decorative Fixtures

- |  |   |
|--|---|
| <b>L11</b> OptiView®<br>Decorative<br>Fixture  | <b>L9</b> JustFrost<br>Decorative<br>Fixture  |
|--|---|

### 6a Effect Lenses

- LN** Natural Effect Lens

### 6b Options (Leave blank if not desired)

- |  |                                 |
|--|---------------------------------|
| <b>INC</b> Universal Light Add-On Kit with Medium Screw Base<br>(Accepts one 23W Maximum LED, or Fluorescent Lamp, Medium Base, Total Maximum Length 4 3/4 in. (120 mm)-Not Included) 110V | <b>D1</b> 0-10V Daylight Dimmer |
|--|---------------------------------|

### 7 Measurement Standard

- M** Metric      **I** Imperial

### Accessories (Order separately.)

- S1** Low voltage 0-10V switch (white) required to operate Solatube 0-10V Daylight Dimmers. Only one switch per forty-eight (48) synchronously controlled dimmers. (For 'D1' only) Note: For use when no controls have been specified and customer is looking for an off-the-shelf solution.
- TR20** UL Listed Class 2 Transformer 24 VAC, Rated 20 VA (For 'D1' only)
- TR96** UL Listed Class 2 Transformer 24 VAC, Rated 96 VA (For 'D1' only)

### Example

#### S160DS-DA-F6-E3-TM-L9 LN INC D-I

Brighten Up® Series Solatube 160 DS (10 in./250 mm Daylighting System), Acrylic Dome, 6 in. (152 mm) high Flat/No Pitch Self Mounted Flashing, 3 Extension Tubes, Transition Box Metal, Just Frost Decorative Fixture, Natural Effect Lens, Daylight Dimmer and Universal Light Add-On Kit. For imperial installations.