



SOLATUBE

Innovation in Daylighting.

Solatube® SolaMaster® Series

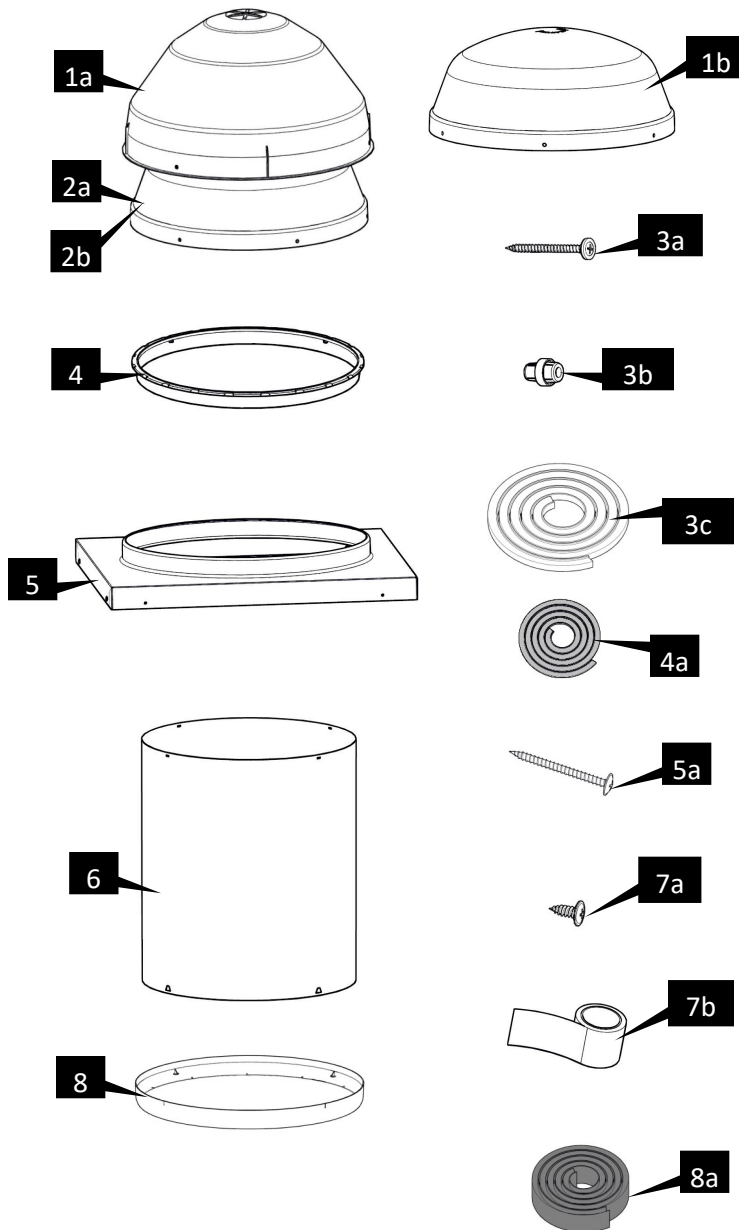
Solatube® 330 DS Daylighting System **

Solatube® 750 DS Daylighting System **

Installation Instructions

Open Ceiling

For Closed Ceiling, see back of this page.



Parts List *		Quantity
Outer Dome Options		
1	a. 750 DS Dome with Raybender® 3000 Technology	(1)
	b. 330 DS Dome with LightTracker™ Reflector	(1)
Inner Dome Option		
2	a. Inner Dome for 750 DS (Optional)	(1)
	b. Inner Dome for 750 DS (Optional, Polycarbonate**)	(1)
Dome Fasteners		
3	a. Dome Screw #8 X 1 5/8 in (40 mm)	(4)
	b. Dome Spacer	(3)
	c. Dome Seal	(1)
Tube Ring		
4	a. Tube Ring Seal (Required for all Open Ceiling Units)	(1)
Roof Flashing (4 in (100 mm)**†, 8 in (200 mm)**†, 11 in (280 mm)**† or Curb Cap))		
5	a. Flashing Screws - #10 X 2 in (50 mm)	(21)
Spectralight® Infinity Tubes		
6	a. 24 in (610 mm) Extension Tube with Tube Fastener Kit	(1)
	b. 48 in (1220 mm) Extension Tube with Tube Fastener Kit	(1)
Tube Fastener Kit		
7	a. Tube Screws - #8 X 9/16 in (14 mm)	(5)
	b. 2 in (50 mm) Foil Tape - 18 ft (5.5 m)	(1)
Diffuser for Open Ceiling		
8	a. Diffuser Seal	(1)

Required Tools:

Saber or Reciprocating Saw	Utility Knife
Flat Bar	Caulking Gun
Tape Measure	Lumber Crayon
Screw Gun with Phillips Head	Metal Shears
Magnetic Compass	Required Safety Equipment
Hammer	Drill Bit #40 (3/32 in/2.5 mm)

*Components shown not included in all kits, see label on box.

**†Required for High Velocity Hurricane Zone (HVHZ) areas.

**† Some of these products are

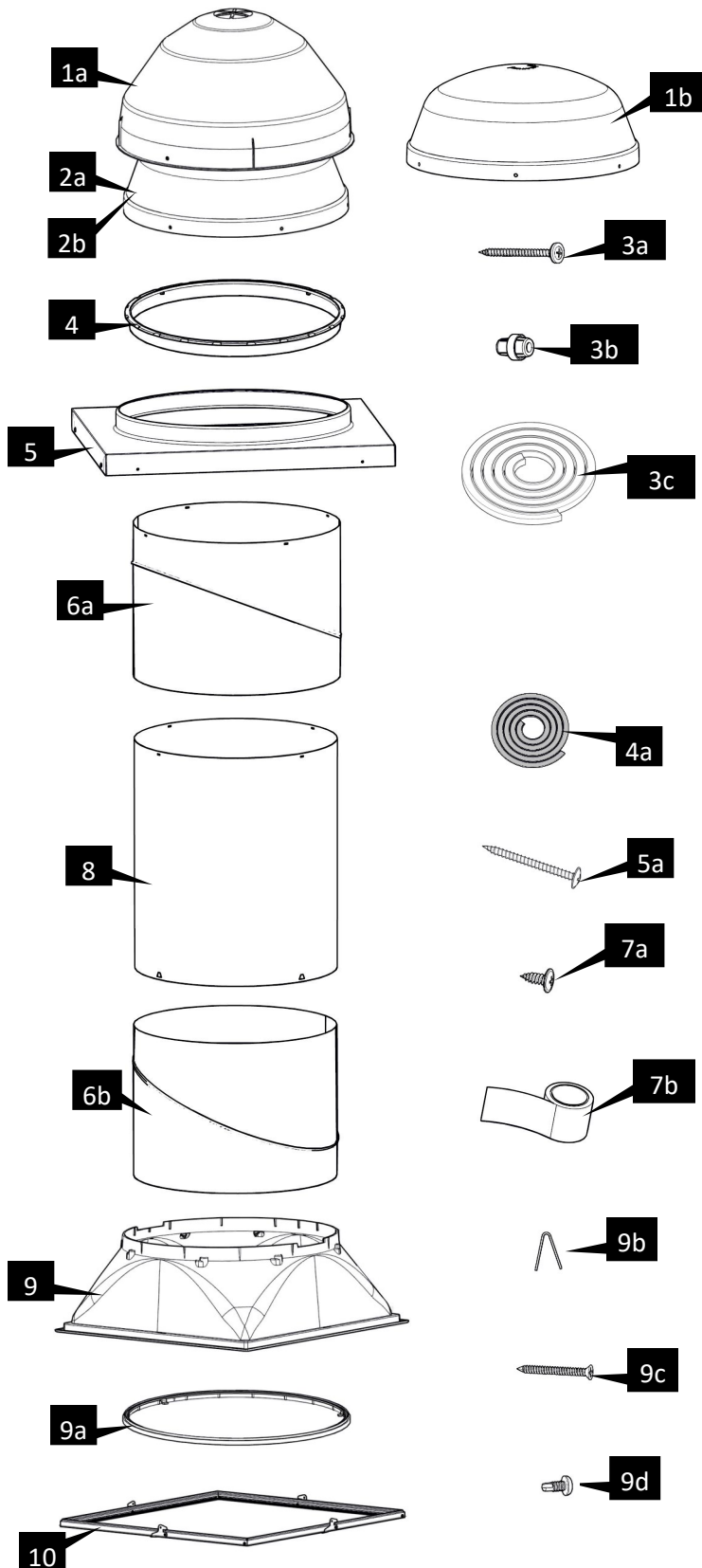


and meet criteria for UFC 4-010-01 DoD Minimum Antiterrorism Standards for Buildings. See warning section for approved configurations.

For the most current Installation Instructions, please visit www.solatube.com/instructions

Solatube International, Inc. | 2210 Oak Ridge Way | Vista, CA 92081-8341 | www.solatube.com | T: 888.SOLATUBE

Closed Ceiling



Parts List *		Quantity
1	Outer Dome Options	
	a. 750 DS Dome with Raybender® 3000 Technology	(1)
2	b. 330 DS Dome with LightTracker™ Reflector	(1)
	Inner Dome Option	(1)
3	a. Inner Dome for 750 DS	(1)
	b. Inner Dome For 750 DS (Optional, Polycarbonate**)	(1)
4	Dome Fasteners	
	a. Dome Screw #8 X 1 5/8 in (40 mm)	(4)
	b. Dome Spacer	(3)
5	c. Dome Seal	(1)
	Tube Ring	(1)
6	a. Tube Ring Seal **	(1)
	Roof Flashing (4 in (100 mm)**†, 8 in (200 mm)**†, 11 in (280 mm)**† or Curb Cap)	(1)
7	a. Flashing Screws - #10 X 2 in (50 mm)	(21)
	Spectralight® Infinity Tubes	
8	a. Top Tube with Angle Adapter	(1)
	b. Bottom Tube with Angle Adapter	(1)
9	Tube Fastener Kit	(1)
	a. Tube Screws - #8 X 9/16 in (14 mm)	(10)
10	b. 2 in (50 mm) Foil Tape - 18 ft (5.5 m)	(2)
	Spectralight® Infinity Tubes	
11	a. 24 in (610 mm) Extension Tube (optional) with Tube Fastener Kit	(1)
	b. 48 in (1220 mm) Extension Tube (optional) with Tube Fastener Kit	(1)
	Transition Box (Plastic/Polymeric) or (Metal with Softlight Technology)	(1)
	a. Natural Effect Lens (Optional)	(1)
12	b. Transition Box Hold Down Clip	(4)
	c. Drill Tip Screw - #6 X 1 5/8 in (40 mm) (For Hard Ceiling Application Only)	(4)
	d. Drill Tip Screw - #8 X 5/8 in (16 mm)	(2)
13	Diffuser	(1)

*Components shown not included in all kits, see label on box.

**†Required for High Velocity Hurricane Zone (HVHZ) areas.

**†† Some of these products are



and meet criteria for UFC 4-010-01 DoD Minimum Antiterrorism Standards for Buildings. See warning section for approved configurations.

For the most current Installation Instructions, please visit www.solatube.com/instructions

Table of Contents:

<u>Section</u>	<u>Page</u>
Warnings.....	3-4
Curb Cap.....	5
Closed Ceiling.....	5-10
Open Ceiling.....	10-12
Curb Cap Insulation.....	13
Self-Flashing.....	14-15
DSA Requirements.....	15
Turret Extension	16
0-90 Degree Angle Adaptor.....	16
Dome Edge Protection Band.....	17
Hard Ceiling.....	18
Suspension Wire Kit.....	19-20
Natural Effect Lens.....	21-22
Thermal Insulation Panel (TIP).....	23-25
Closed Ceiling TIP with Daylight Dimmer.....	26-27



WARNING



Do not proceed with the installation until you have read the entire instructions, including these warnings. Use of materials or methods not authorized by Solatube International will result in an invalid warranty.

Solatube International, Inc. (seller) assumes no responsibility or obligation whatsoever for the failure of an architect, contractor, installer, or building owner to comply with all applicable laws, ordinances, building codes, electrical codes, energy codes, fire and safety codes and requirements, roof warranties and adequate safety precautions. Installation of this product should be attempted only by individuals skilled in the use of the tools and equipment necessary for installation. Protect yourself and all persons and property during installation. If you have any doubt concerning your competence or expertise, consult a qualified expert before proceeding.



Install at your own risk!

Solatube product installations may be dangerous and include the potential for death, personal injury and property damage. The hazardous conditions include but are not limited to the following:

- **During installation, the Solatube Daylighting System's reflective tubes may focus sunlight, causing intense heat or fire. Remove protective film only after the parts have been installed. Prior to and during installation, do not leave tubes in contact with combustible materials or unattended, especially near direct sunlight. Avoid skin burns.**
- **Do not leave debris from installation process unattended. Scrap from tubing and foil tape are highly reflective and if left unattended can focus sunlight and can cause intense heat or fire. Clean up all unused material and trash and store or discard in proper covered locations.**
- Solatube Daylighting System and Solar Star products may have sharp edges. Always wear leather or canvas gloves while handling and installing products.
- Solatube product installations require climbing and working at dangerous heights, including on ladders, scaffolding, roofs and in attic spaces. Risk of death, personal injury and property damage may result from a fall, or from falling objects. Use extreme caution to minimize risk of accidental injury, including, but not limited to the following procedures:
 - Clear area below your work space of all people, animals and other items.
 - Avoid working on surfaces that are slippery or wet.
 - Use foot-wear with excellent traction.
 - Use only strong, well supported ladders.
 - Work only in calm dry weather.
 - When in the attic, ensure that your weight is supported at all times with structurally sound framing; drywall material is not designed to carry a person's weight.
- To reduce the risk of fire, electric shock, and personal injury, basic safety precautions should always be followed when using electric tools, including always wearing safety goggles or other suitable eye protection, and ensuring work area is clear of all electrical wires, gas pipes, water pipes, and other obstacles.

For the most current Installation Instructions, please visit www.solatube.com/installations

Solatube International, Inc. | 2210 Oak Ridge Way | Vista, CA 92081-8341 | www.solatube.com | T: 888.SOLATUBE

- When working in the attic or other dusty areas, use of a mask or respirator is recommended to avoid lung irritation. Attic spaces may be dark, confined, and subject to extreme temperatures. Beware of sharp protruding objects. Do not attempt installation without having someone within range of your voice or close enough to come to your aid if necessary.
- Solatube products are not designed to withstand the weight of a person, tools or other objects. Walking or placing objects on the system could cause personal injury and property damage. If the product is damaged, the structural capacity may be weakened; therefore the system should be repaired immediately. For safe installation and use, do not deviate from these installation instructions.
- Additional support is recommended for long vertical and all horizontal tube runs. Review local building requirements and consult with appropriate building code official for proper material and placement of additional support. Avoid galvanic reaction (corrosion) if dissimilar metals are used.

Electrical Components

- Before installing, servicing, or cleaning unit, switch power off at service panel and lock service panel to prevent power from becoming switched on accidentally. When the service disconnecting means cannot be locked, securely fasten a prominent warning device such as a tag to the service panel.

Re-Roofing

- Solatube products require special care if removed for re-roofing. In order to ensure proper removal and re-installation, please contact your Solatube International representative.

Please refer to the installation tips for the appropriate product below:



Daylighting Systems Installation Tips

These instructions are a step-by-step guide for the installation of a Solatube Daylighting System in the following conditions. For other roof types, please contact your Solatube International representative for additional information.

Built Up Flat Roof - Single Ply/Membrane - Asphalt Shingle - Low/No Pitched - Pitched - Prefabricated Curbs - Metal Roof Panels



Daylighting Systems Installation Tips (Continued)

- Allow at least 2-3 hours for the installation, particularly if this is your first installation.
- During the day, turn off all the lights in the room to see how much natural light comes in through the windows, and determine the best position for the Solatube Daylighting System. To light a specific area, place the system over the area, not in the center of the room. This will prevent the desired area from being shaded by tall objects in the room.
- Measure the distance between the roof and the ceiling. If you don't have enough tubing, contact your Solatube International representative for additional tubing.
- Avoid roof locations shaded by trees, ridges and chimneys, or near water channels or valleys. Also avoid roof areas with obstructions such as fire sprinklers, HVAC equipment, gas, water or drain pipes, air ducts or flues and make sure that the roof is adequate to endure an installation without damaging its waterproofing properties or weakening the building structure.
- All adhesives, seals and tapes are recommended to be applied to a clean and dry surface at a minimum of 70°F (21°C) for maximum performance.
- Foil tape contains a pressure sensitive adhesive and pressure must be applied at all seams for proper bonding. Foil tape is not intended for use as structural support of the extension tubes. For structural integrity use manufacturer supplied fasteners on all overlapping extension tube joints.
- Uninstalled product that is stored and exposed to excessive heat and or humidity can experience damage. Store product prior to installation in a cool dry place.
- For installations where high levels of suit or debris may be present it may be necessary to use foil tape to seal the diffuser to the tubing to prevent the excess debris from entering the tubing.
- FM (Factory Mutual): The 750 DS Dual Dome with Polycarbonate Inner Dome and the 330 DS with Polycarbonate Dome, when used with the Dome Edge Protection Band, meet requirements for FM Approvals.



- UFC-4-010-01: All SolaMaster assemblies meet requirements for United Facilities Criteria (UFC) DoD minimum antiterrorism standard for buildings.

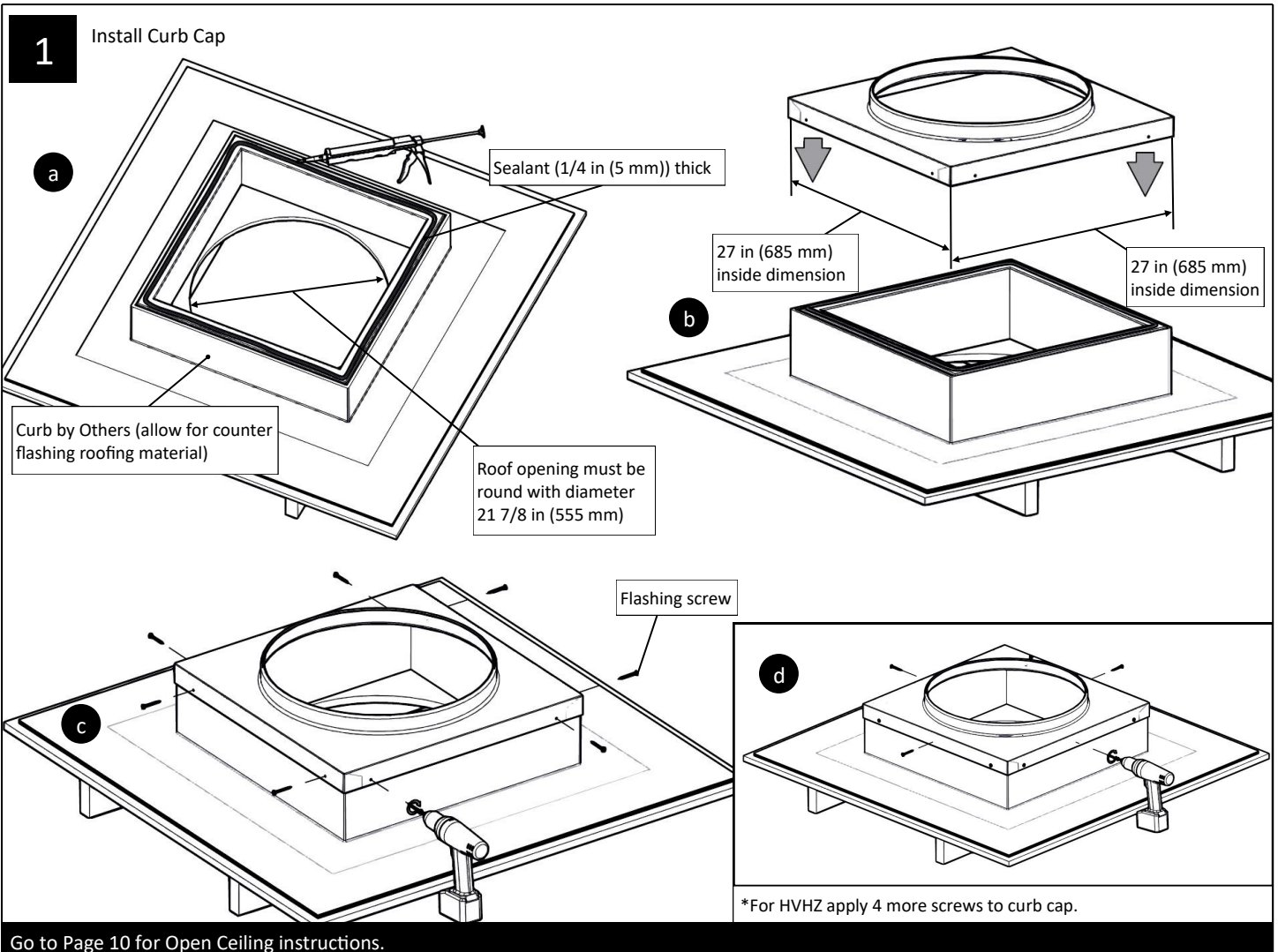


Daylight Dimmer Installation Tips

- Install Solatube Daylight Dimmer only on a properly aligned Solatube Daylighting System.
- Use only UL recognized components approved for this listing.

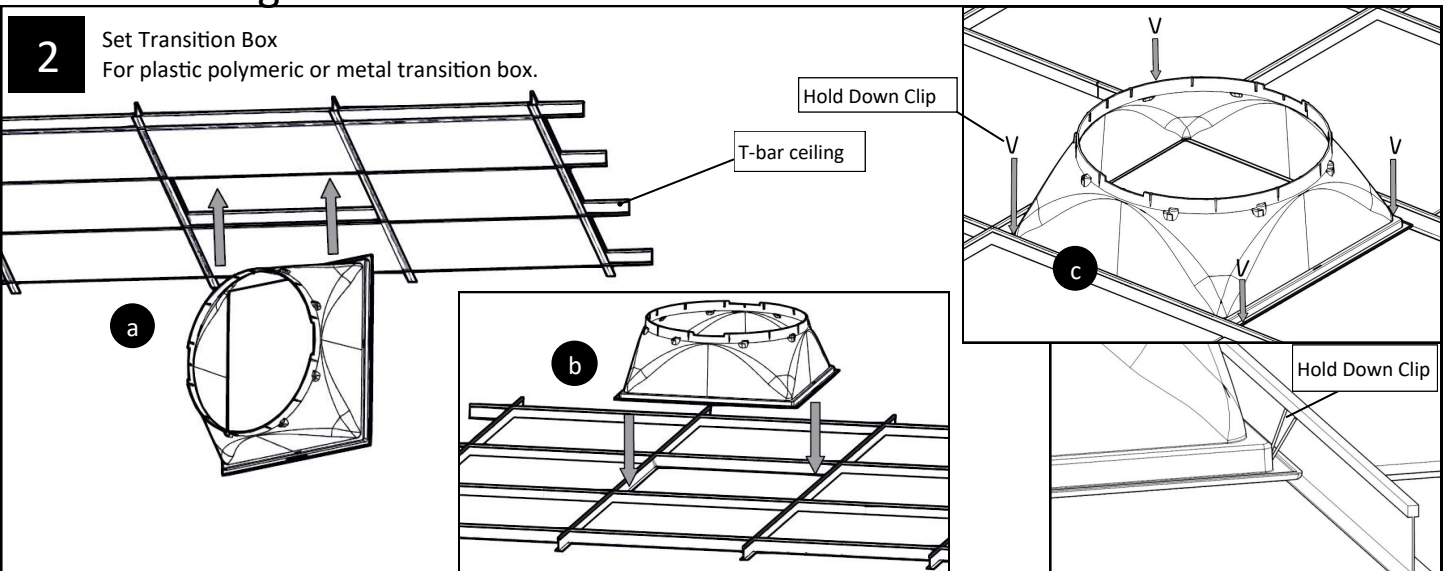
For the most current Installation Instructions, please visit www.solatube.com/instructions

Curb Cap Installation Instructions



Go to Page 10 for Open Ceiling instructions.

Closed Ceiling Installation Instructions



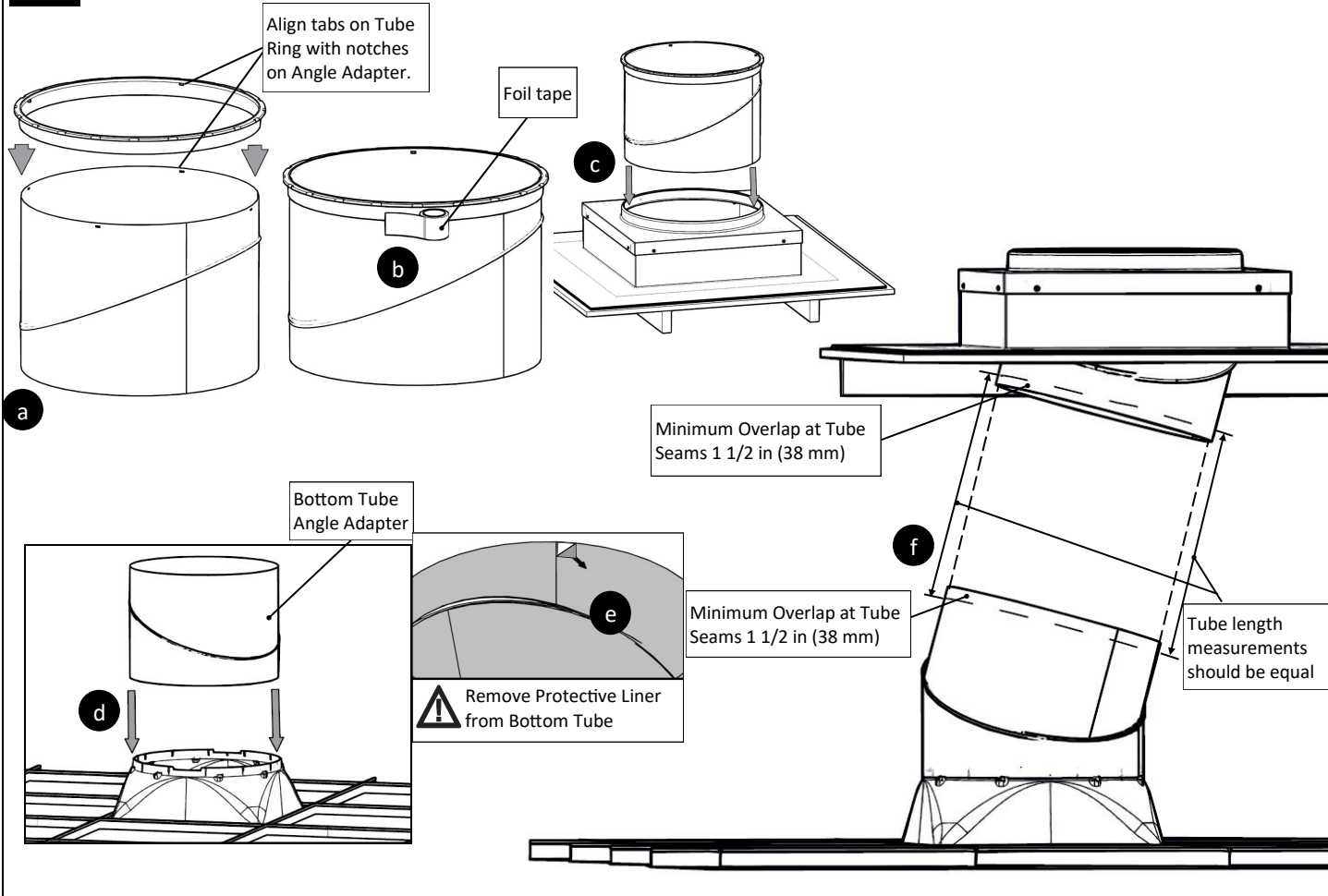
For DSA (Division of the State Architect) project, please see additional fastening requirements in accessories section on page 15.

For the most current Installation Instructions, please visit www.solatube.com/instructions
 Solatube International, Inc. | 2210 Oak Ridge Way | Vista, CA 92081-8341 | www.solatube.com | T: 888.SOLATUBE

3

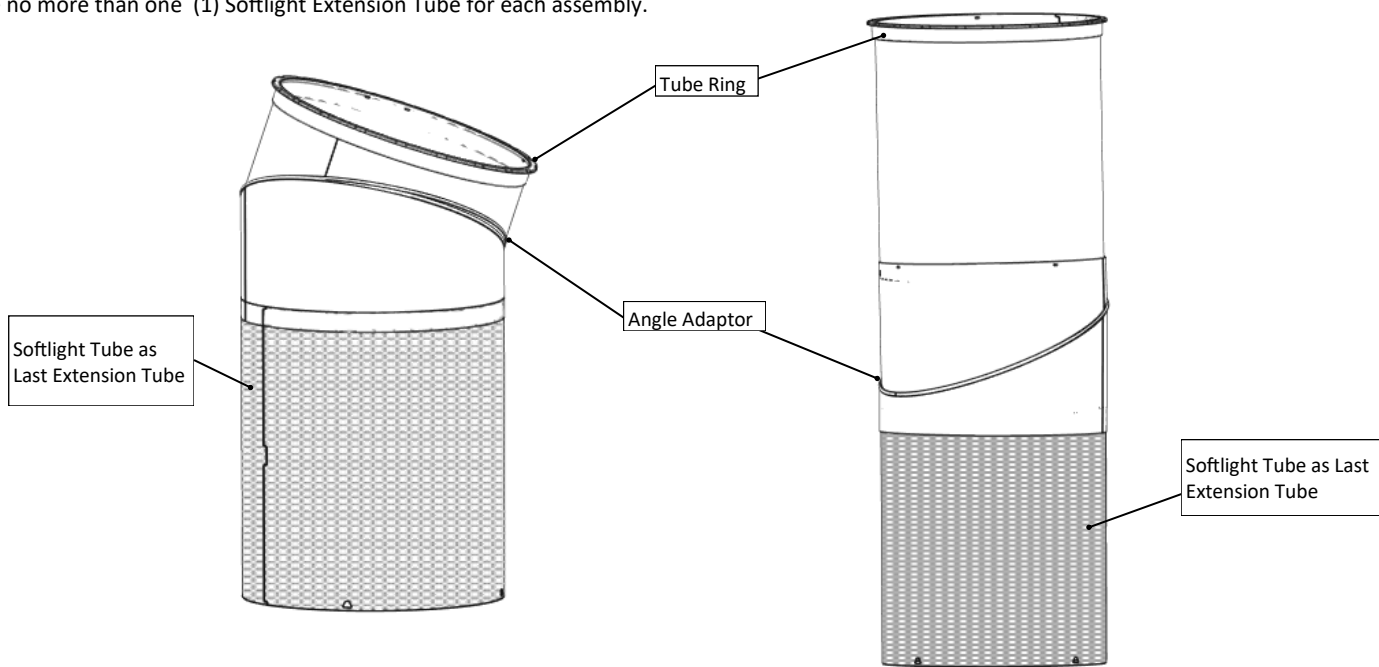
Install Top and Bottom Tube Angle Adapters; Measure Tube Run

Tube ring can be installed on Top Tube with Angle Adapter or an Extension tube (see step 5).



Note: For use with Metal Transition Box

Install Spectralight Softlight Tubing at bottom of tube run for best results. Use no more than one (1) Softlight Extension Tube for each assembly.



For the most current Installation Instructions, please visit www.solatube.com/instructions

4 Option 1: Assemble 24 in (610 mm) Extension Tube
 Use notches to create tapered tube.
Note: Spectralight Softlight Extension Tubes must be assembled to be parallel not tapered.

Remove Protective Liner

Apply pressure to tape for proper bonding

4 Option 2: Assemble 48 in (1220 mm) Extension Tube
 Use slots to create tapered tube.
Note: Spectralight Softlight Extension Tubes must be assembled to be parallel not tapered.

Remove Protective Liner

Apply pressure to tape for proper bonding

5 Assemble and Install Tube Run

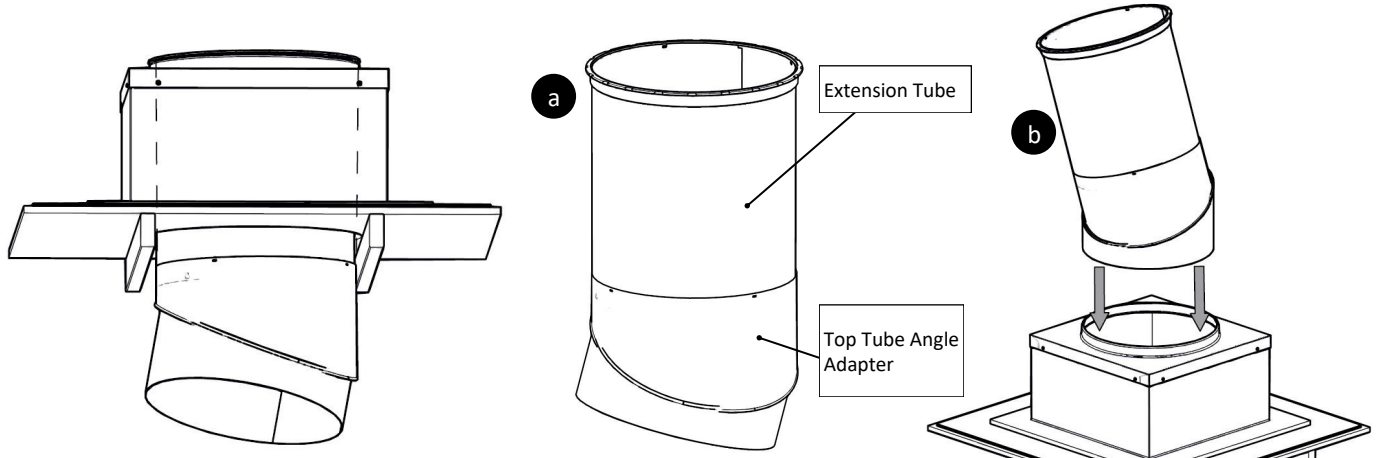
Foil tape

Tube screw

For the most current Installation Instructions, please visit www.solatube.com/instructions
 Solatube International, Inc. | 2210 Oak Ridge Way | Vista, CA 92081-8341 | www.solatube.com | T: 888.SOLATUBE

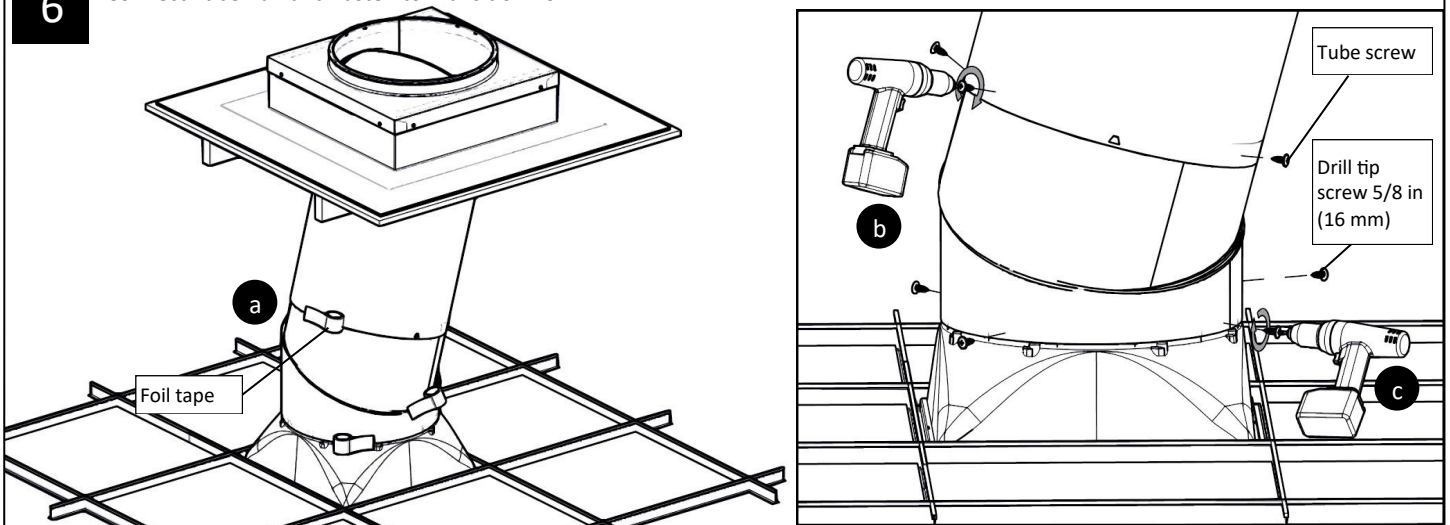
Alternative Tube Run

For curb heights or obstructing structural members that require an Extension Tube as the Top Tube, use configuration below:



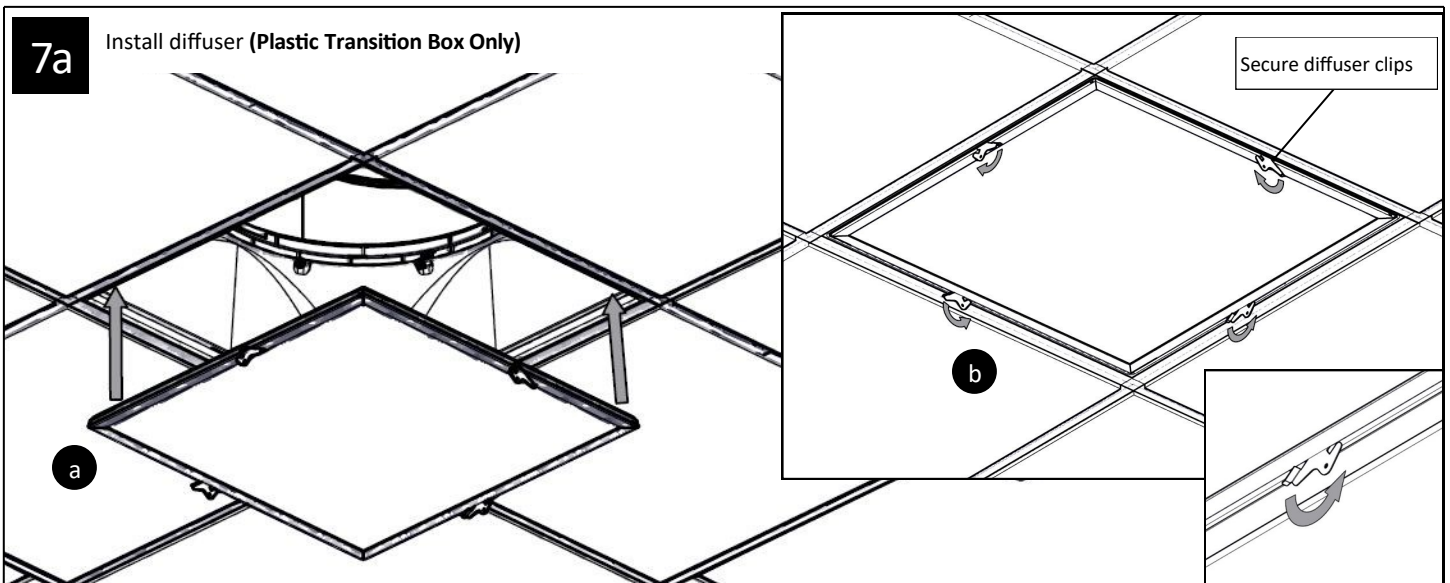
6

Connect Tube Run and Fasten to Transition Box



7a

Install diffuser (Plastic Transition Box Only)



For the most current Installation Instructions, please visit www.solatube.com/instructions

7b Install diffuser (Metal Transition Box with Softlight Technology Only)

Diffuser Clip

Note: Do not press diffuser into metal transition box too far. Ensure that diffuser is flush with transition box frame.

8 Install Dome Seal

Remove Protective Liner

Dome seal

For 330 DS Dome: 1/4 in (5 mm) below top edge of flashing turret.

Tube Ring

For 750 DS or Dual Dome: 1/4 in (5 mm) above base of flashing landing.

9 Option 1: Install 330 DS dome

Reflective side of LightTracker™ Reflector faces South in Northern Hemisphere (North in Southern Hemisphere).

LightTracker™ Reflector tabs fit between Top Tube and Tube Ring.

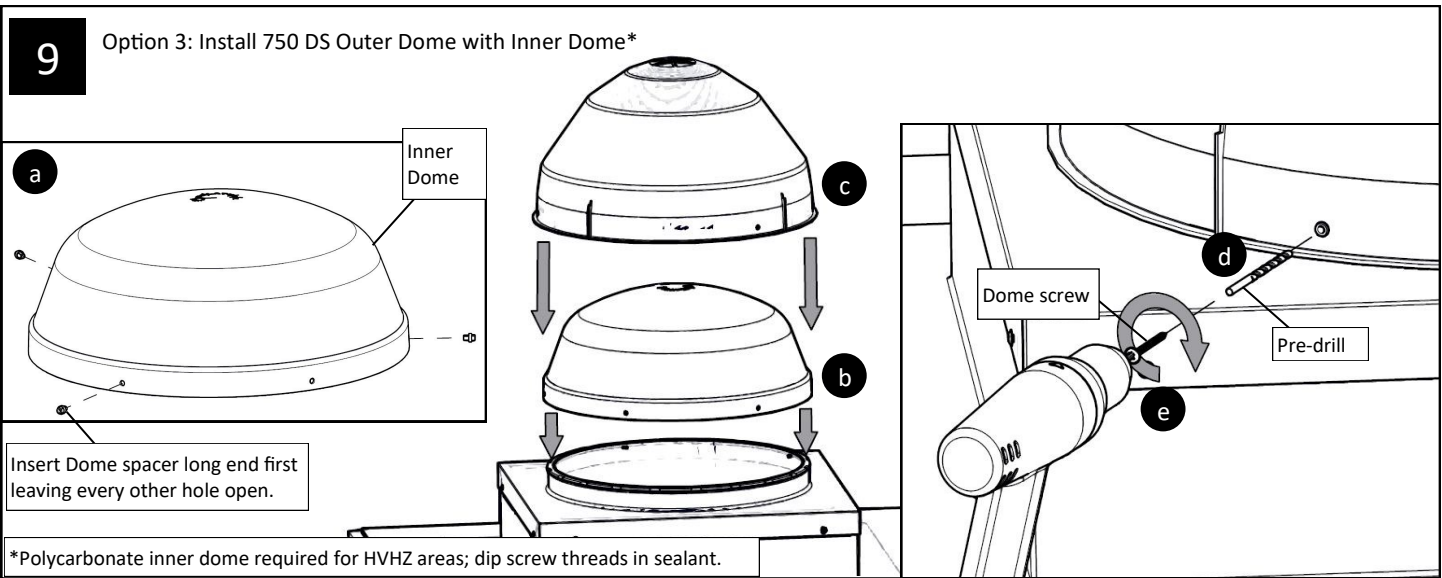
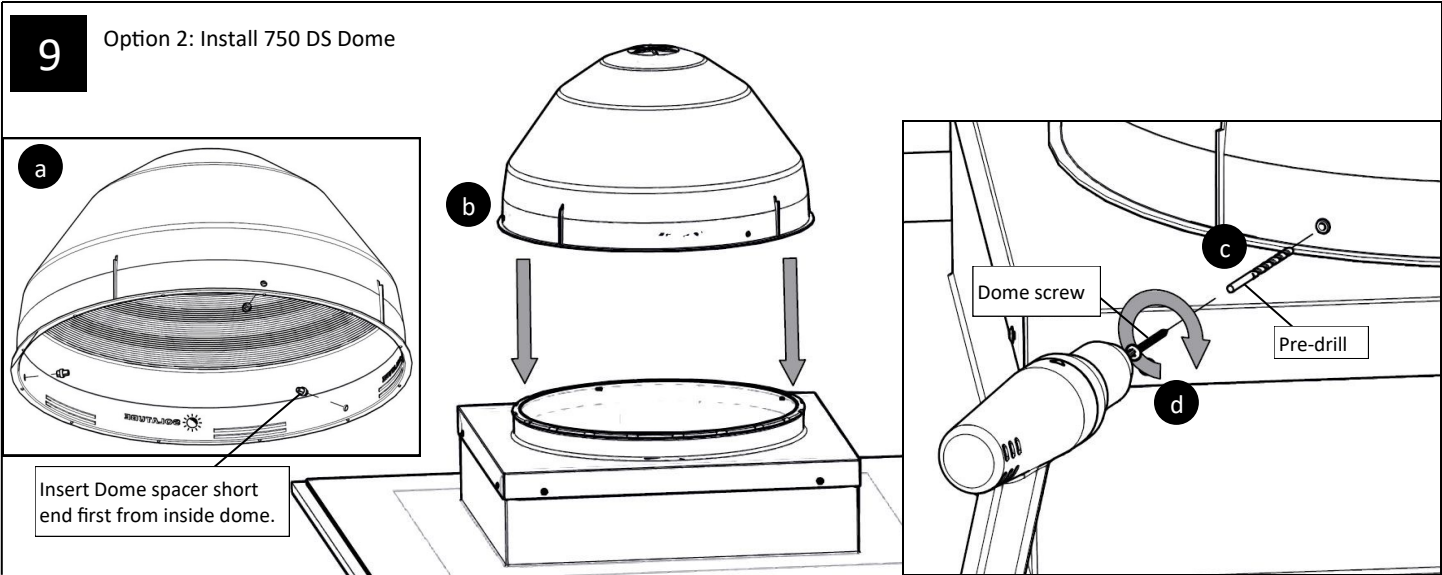
Insert dome spacer long end first.

Pre-drill

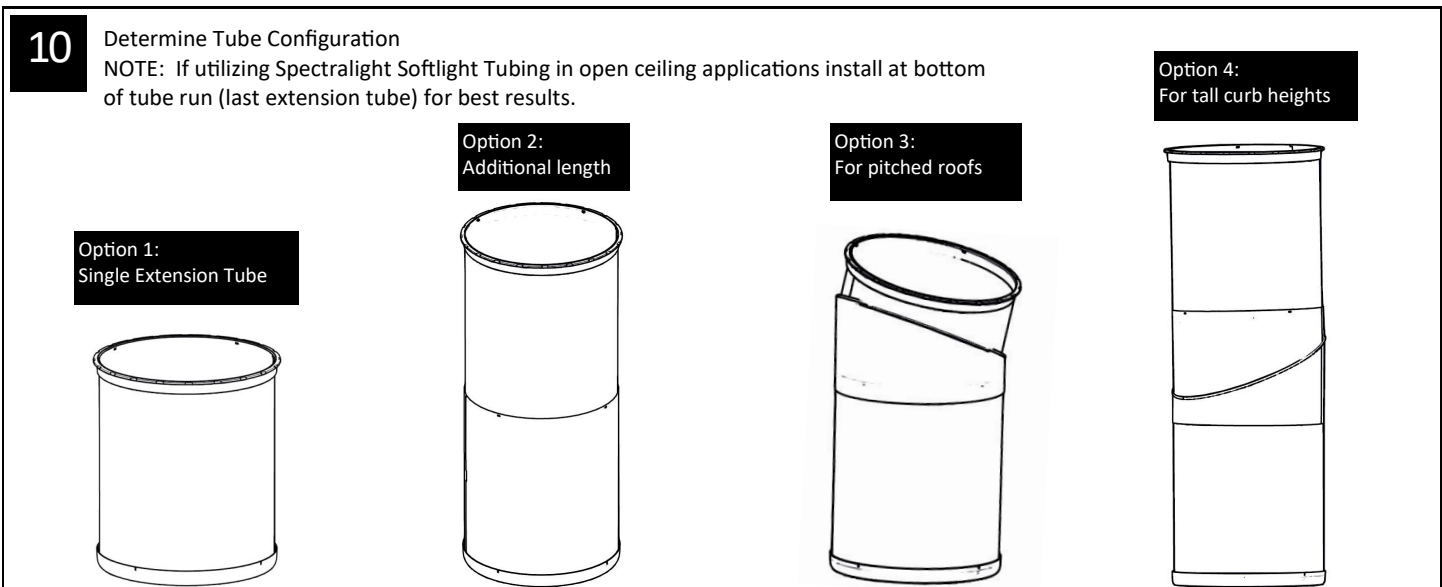
Dome screw

Insert dome screws and spacers evenly leaving every other hole open.

For the most current Installation Instructions, please visit www.solatube.com/instructions
 Solatube International, Inc. | 2210 Oak Ridge Way | Vista, CA 92081-8341 | www.solatube.com | T: 888.SOLATUBE



Open Ceiling Installation Instructions



For the most current Installation Instructions, please visit www.solatube.com/instructions

11 Option 1: Assemble 24 in (610 mm) Extension Tube
Note: Spectralight Softlight Extension Tubes must be assembled to be parallel not tapered.

Remove Protective Liner

Assemble parallel tube for open ceiling configurations

Apply pressure to tape for proper bonding

*Ensure tubing is notched correctly for proper diffuser fitment.

11 Option 2: Assemble 48 in (1220 mm) Extension Tube
Note: Spectralight Softlight Extension Tubes must be assembled to be parallel not tapered.

Remove Protective Liner

Assemble parallel tube for open ceiling configurations

Apply pressure to tape for proper bonding

12 Install Tube Ring and Diffuser

Install top edge of diffuser seal along traced line.

Foil tape

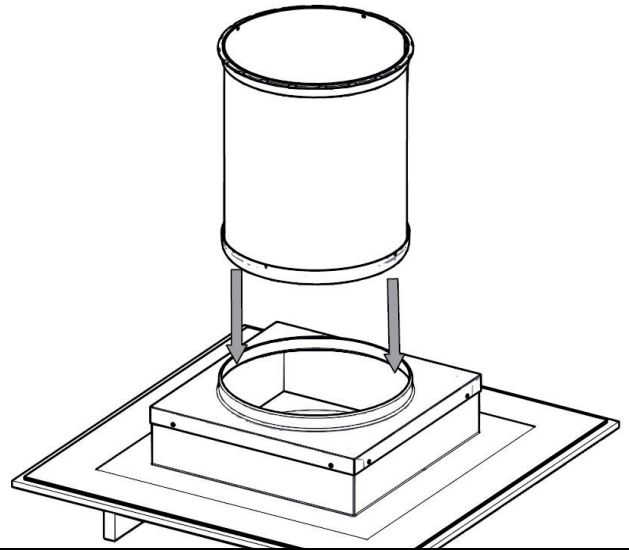
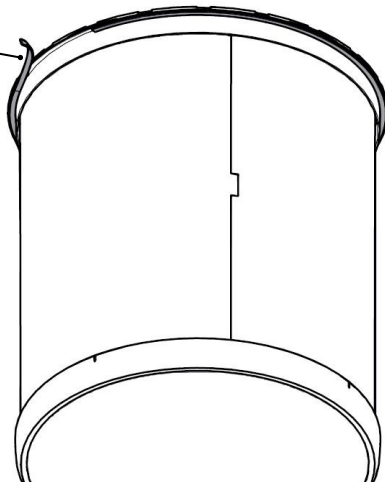
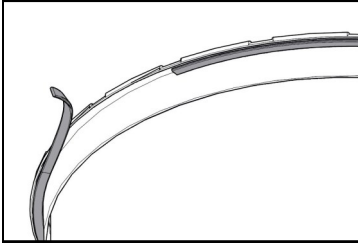
Align diffuser tab with tube notches.

* For installations where high levels of suit or debris may be present it may be necessary to use foil tape to seal the diffuser to the tubing to prevent the excess debris from entering the tubing.

13

Apply Tube Ring Seal and Install Tube Run

Tube ring seal for open ceiling only

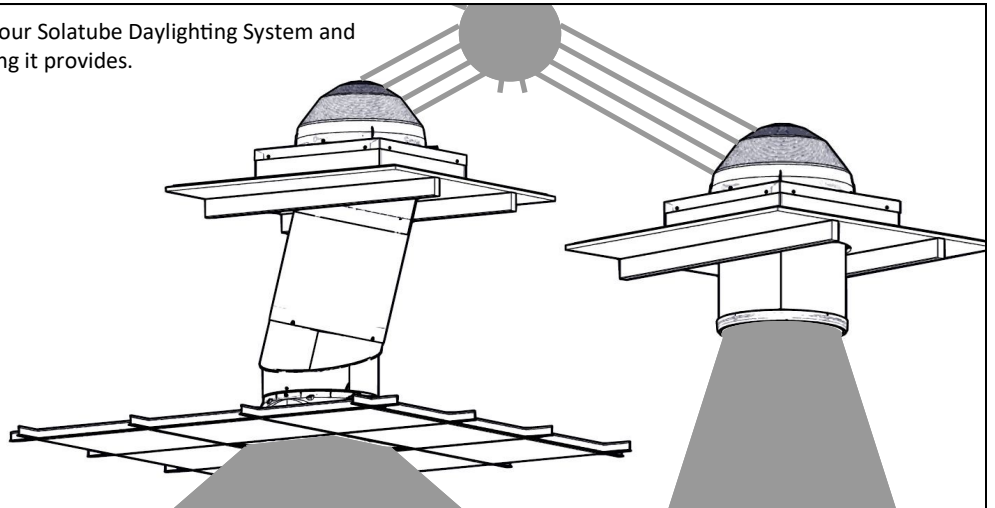


Return to step 8 to complete Open Ceiling instructions.

For DSA (Division of the State Architect) projects, it is necessary to add suspension wires to all open ceiling applications. See page for instructions.

14

Now you can enjoy the benefits of your Solatube Daylighting System and the high performance, natural lighting it provides.



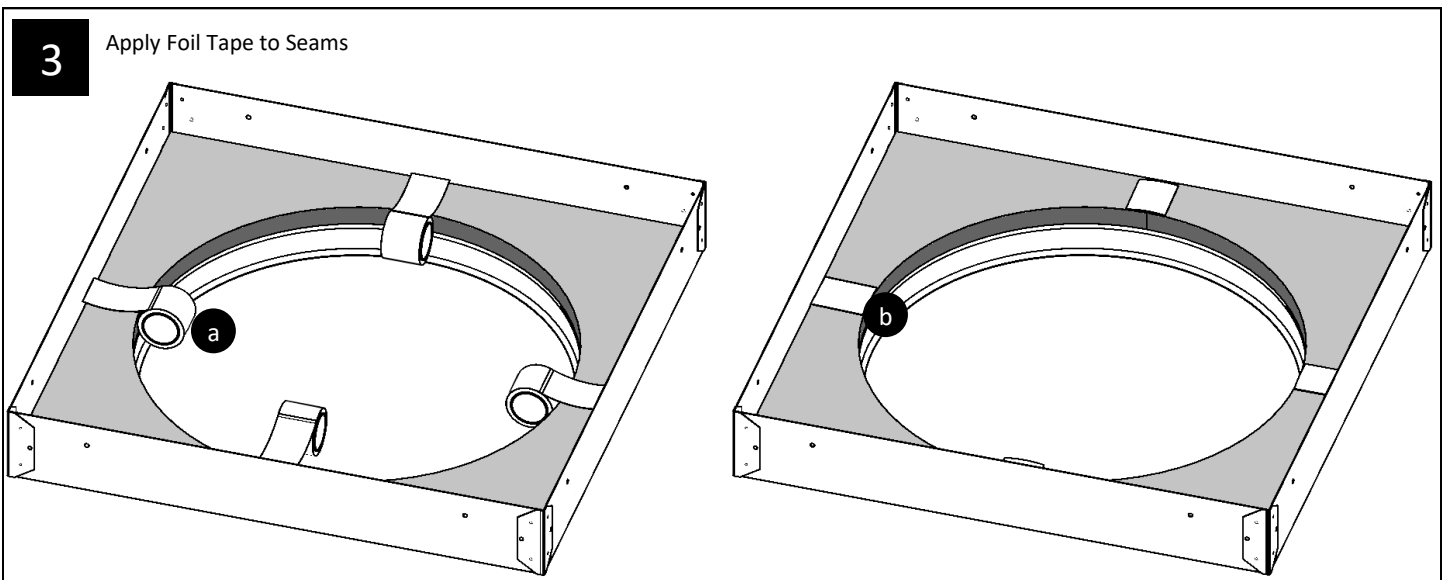
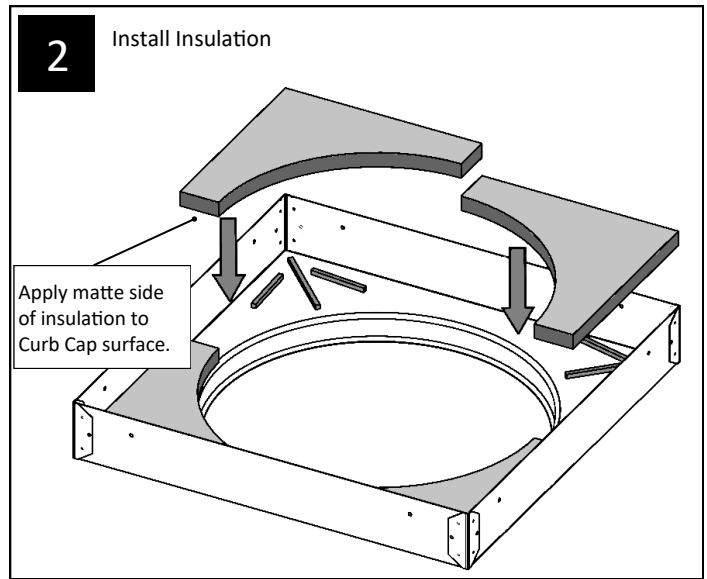
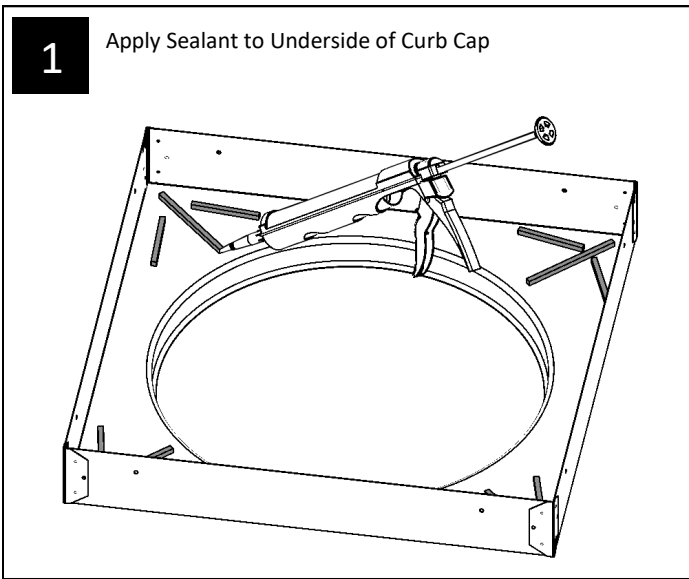
Please refer to the following section for a list of alternative flashings and accessories.

Curb Cap Flashing Insulation

Installation Instructions Appendix

Parts List	Quantity
1 330 DS / 750 DS Curb Insulation	(4)

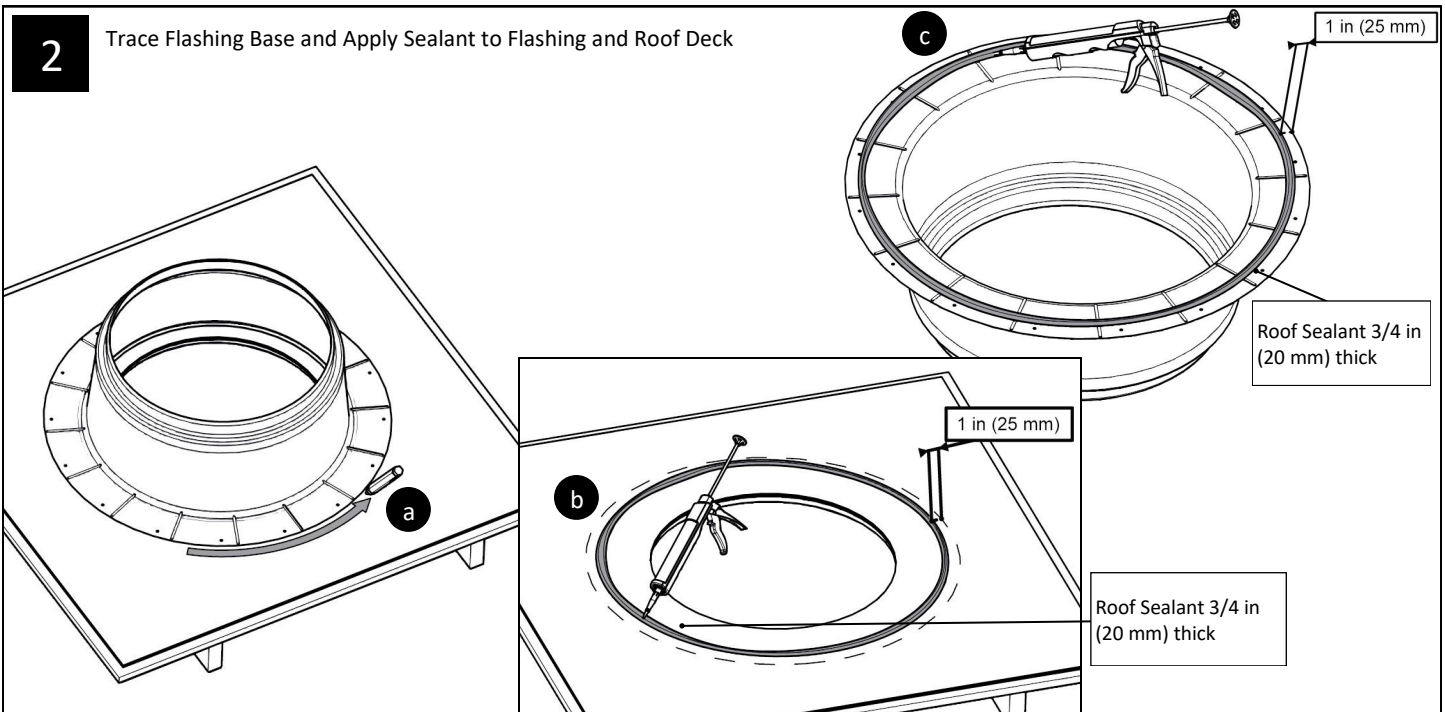
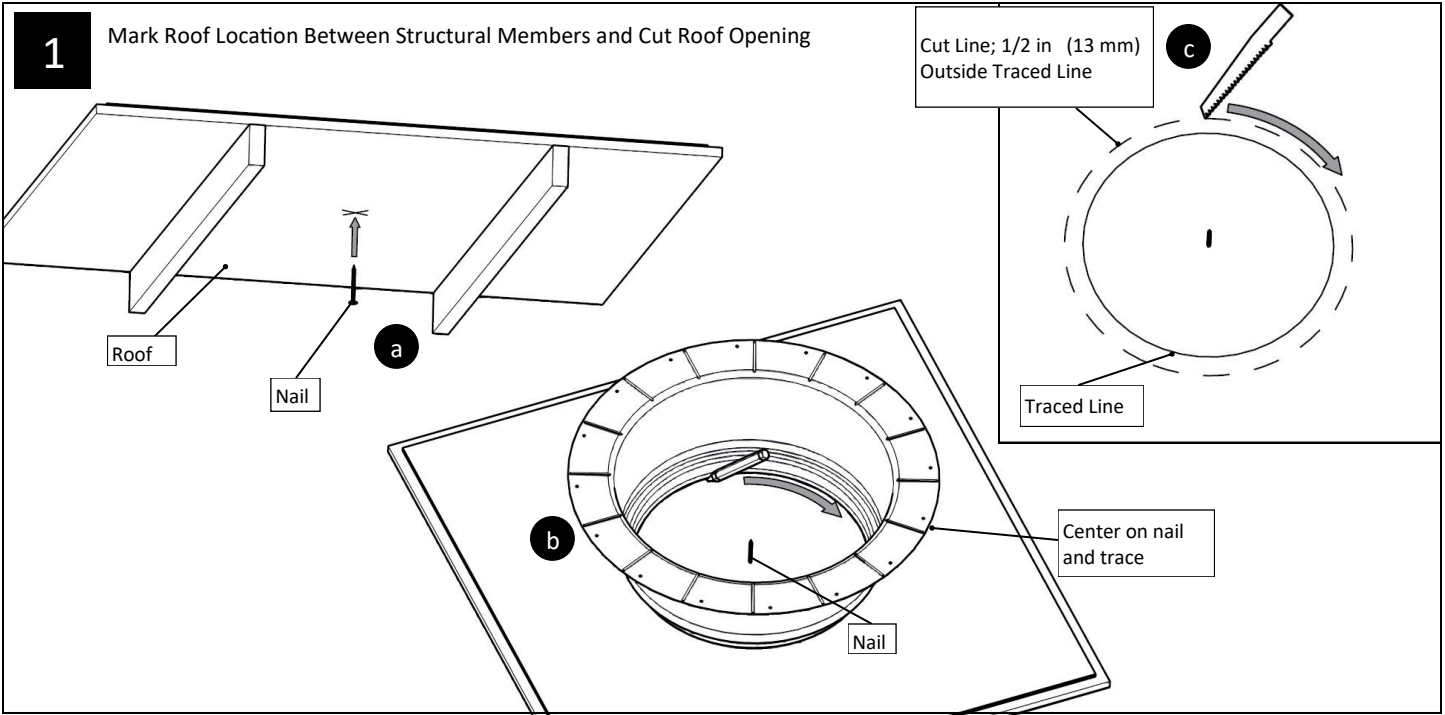
Additional Materials and Tools	Quantity
1 Roof Sealant	(1)
2 Foil Tape	(1)



Self-Flashing Installation Instructions Appendix

Parts List	Quantity
1 Self-Flashing (4 in (100 mm), 8 in (200 mm), 11 in (280 mm))	(1)
2 Flashing Screws - #10 X 2 in (50 mm)	(21)

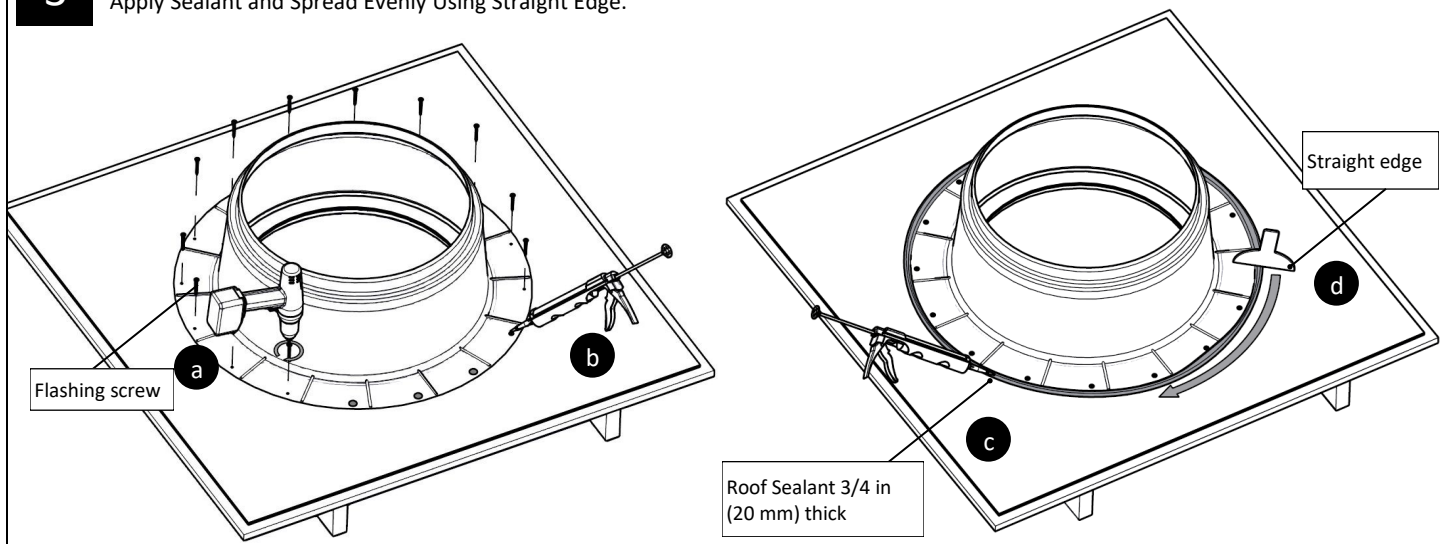
Additional Materials and Tools	Quantity
1 Roof Sealant	(3)
2 Straight Edge	(1)



For the most current Installation Instructions, please visit www.solatube.com/instructions

3

Fasten Flashing to Roof.
Apply Sealant and Spread Evenly Using Straight Edge.



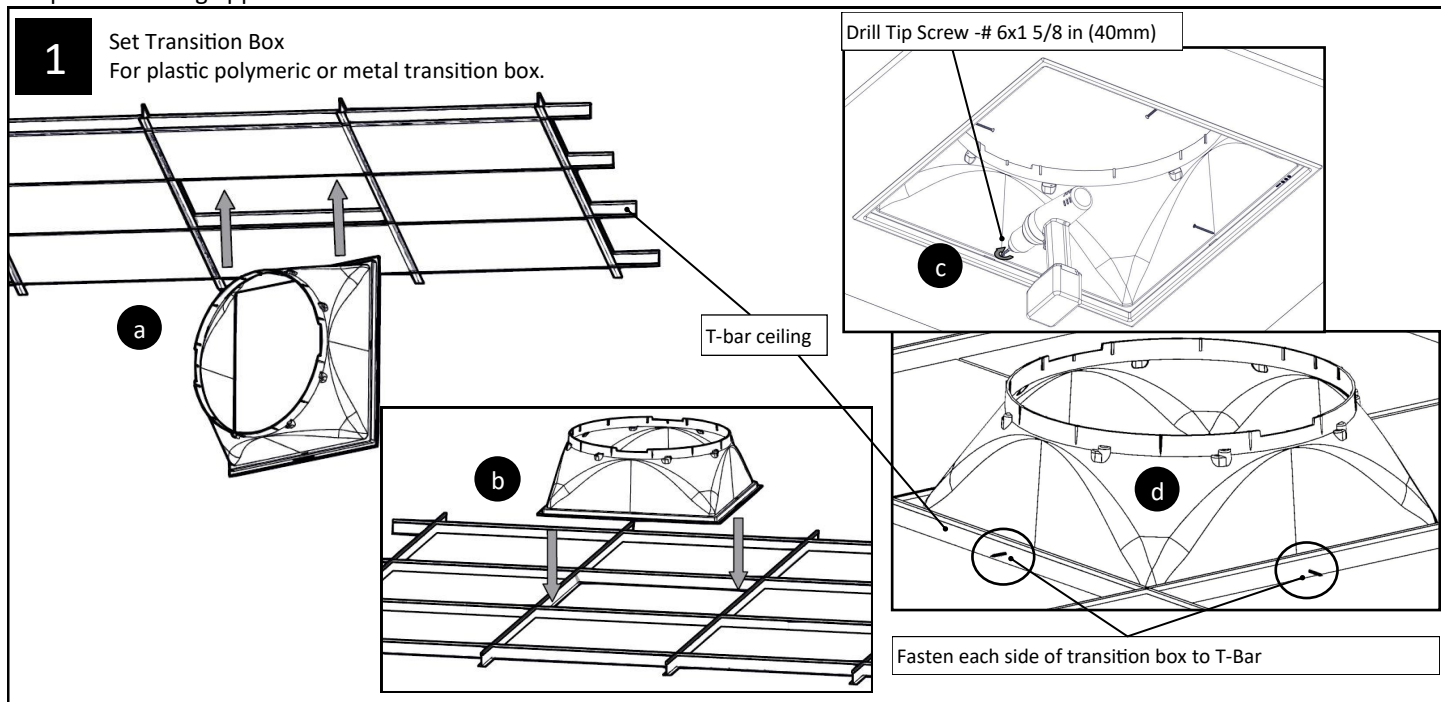
Requirements for DSA Projects Installation Instructions Appendix

Note: This section is intended to satisfy installations requirements for the DSA (Division of the State Architect).

Suspended ceiling application

1

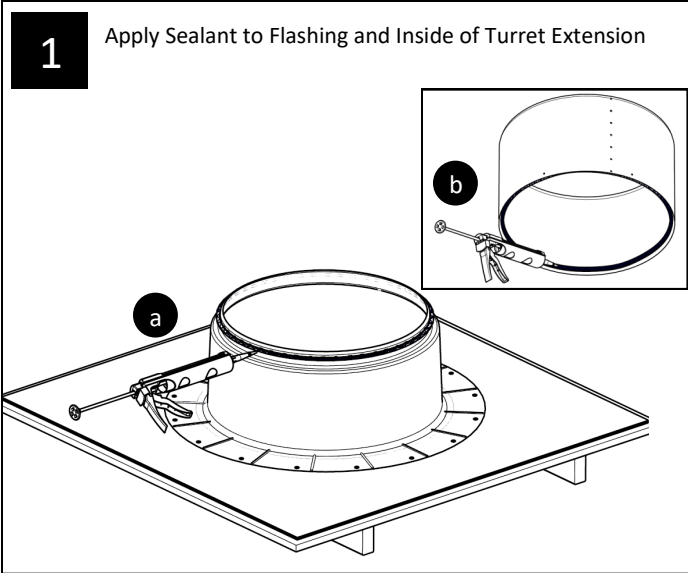
Set Transition Box
For plastic polymeric or metal transition box.



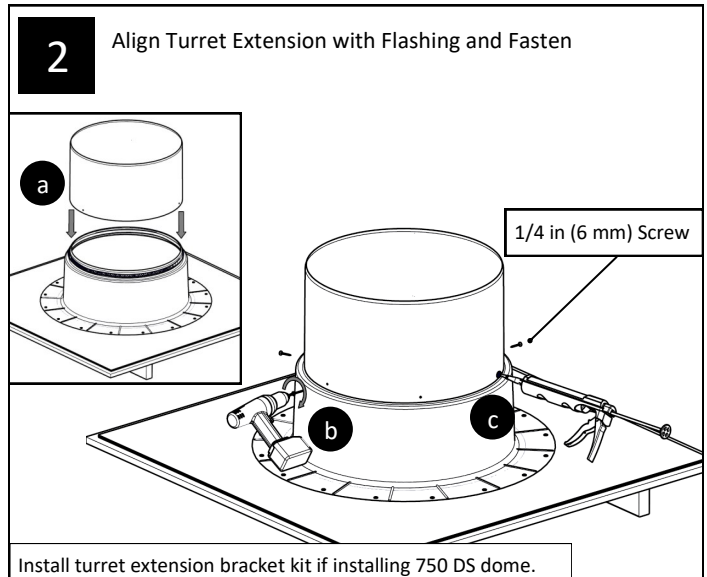
Turret Extension Installation Instructions Appendix

Parts List	Quantity
1 Turret Extension 12 in (300 mm), 24 in (600 mm), 36 in (900 mm), or 48 in (1200 m)	(1)
2 1/4 in (6 mm) screws*	(4)

* 3/4 in (20 mm) screws for 48 in (1200 mm) Turret Extension Only



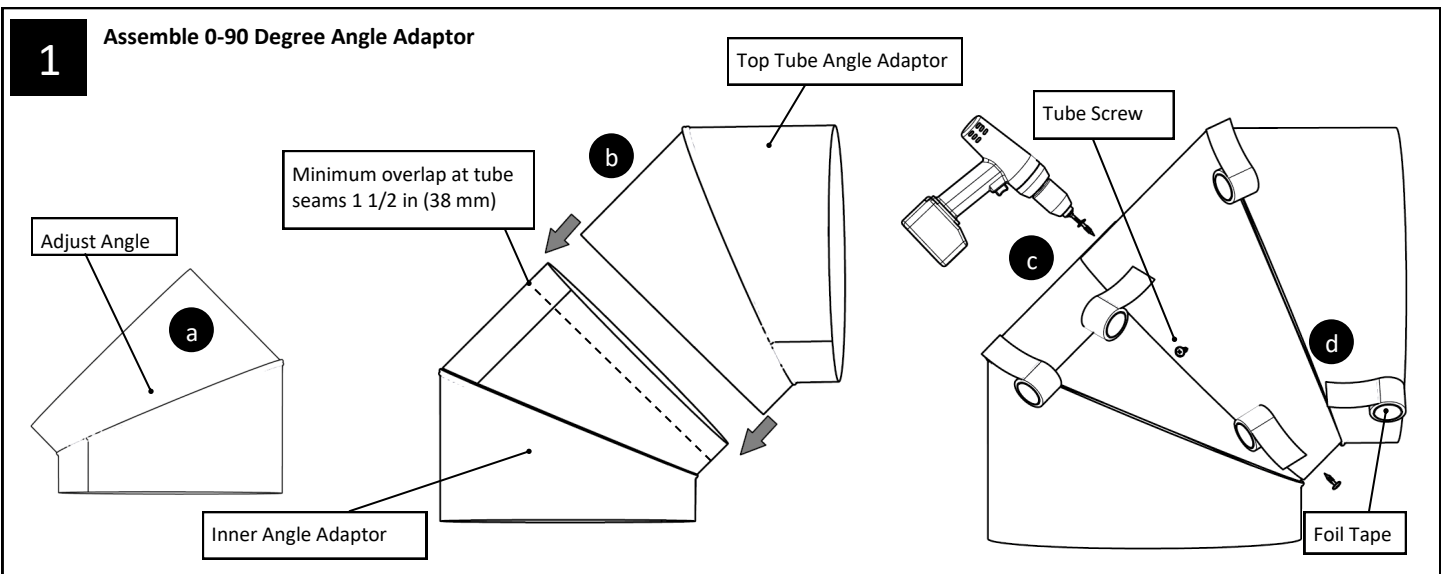
Additional Materials and Tools	Quantity
1 Roof Sealant	(1)



0-90 Degree Extension Tube Installation Instructions Appendix

Parts List	Quantity
1 Top Tube Angle Adaptor	(1)
2 Inner Angle Adaptor	(1)
3 Tube Screws - #8 X 9/16 in (14 mm)	(8)
4 Foil Tape - 2 in (51 mm) X 6 ft (2 m)	(2)

Additional Materials and Tools	Quantity
1 None	

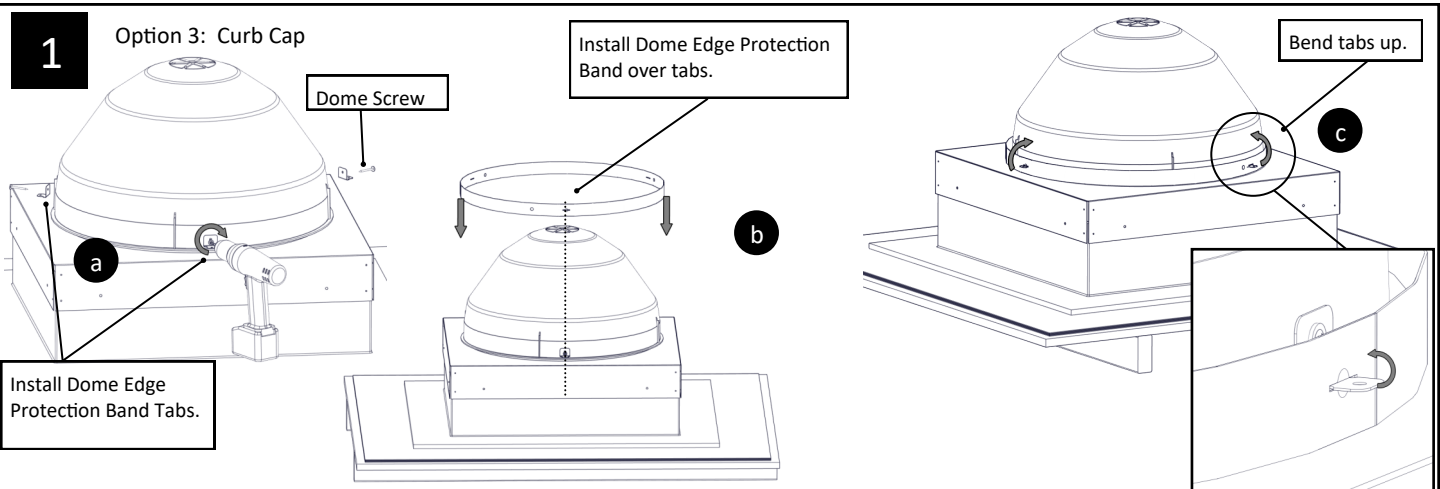
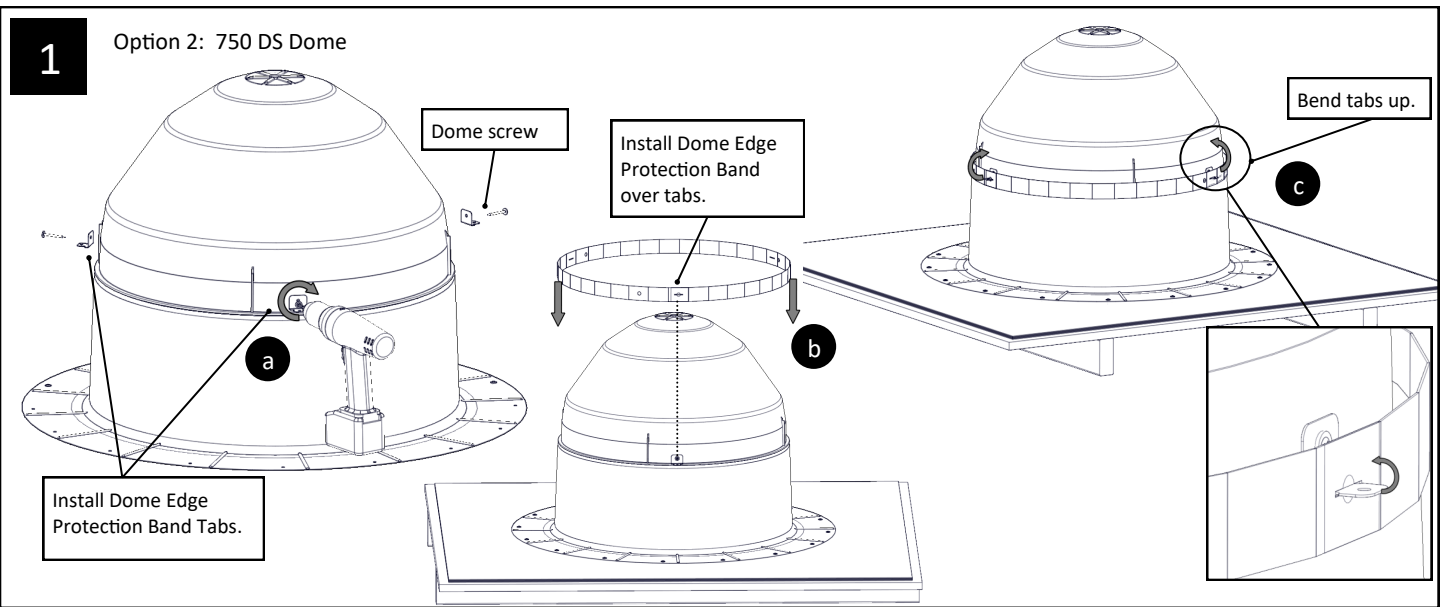
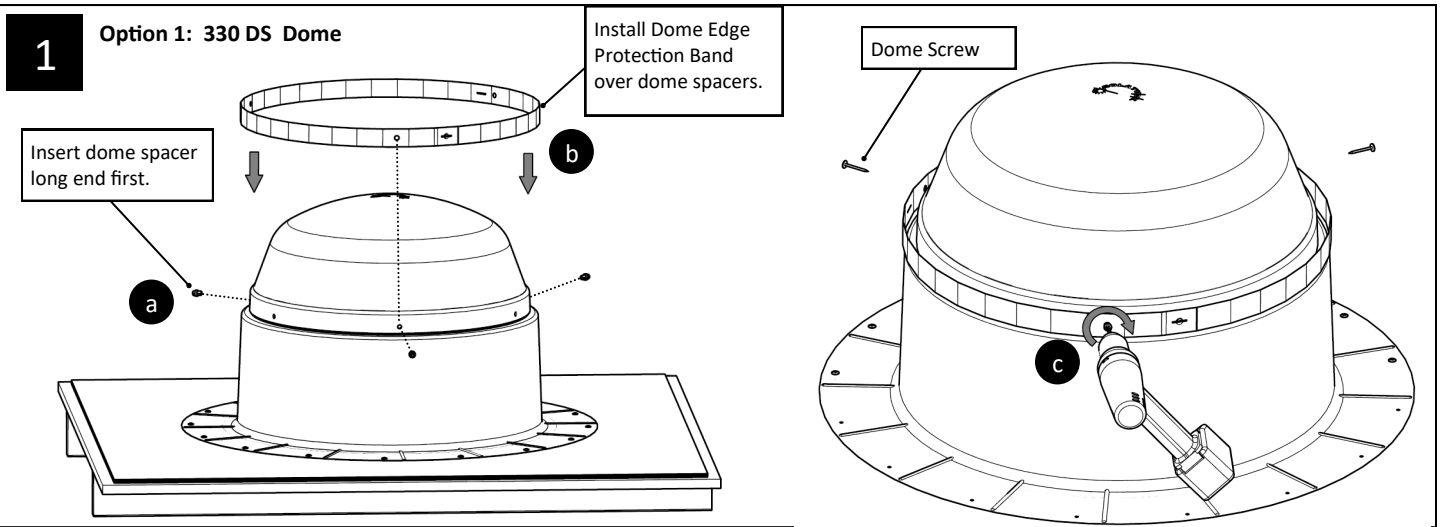


For the most current Installation Instructions, please visit www.solatube.com/instructions

Dome Edge Protection Band Installation Instructions Appendix

Parts List	Quantity
1 Dome Edge Protection Band	(1)
2 Dome Edge Protection Band Tab	(3)

Additional Materials and Tools	Quantity
1 None	



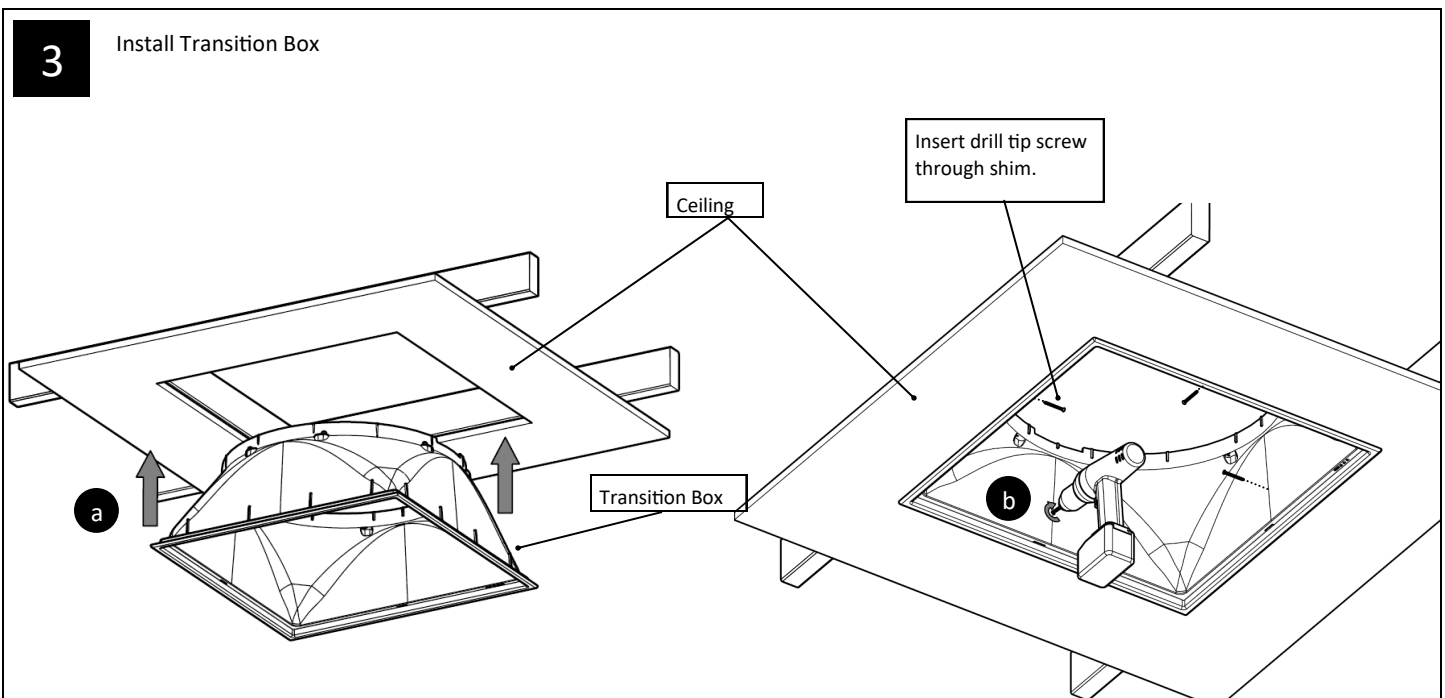
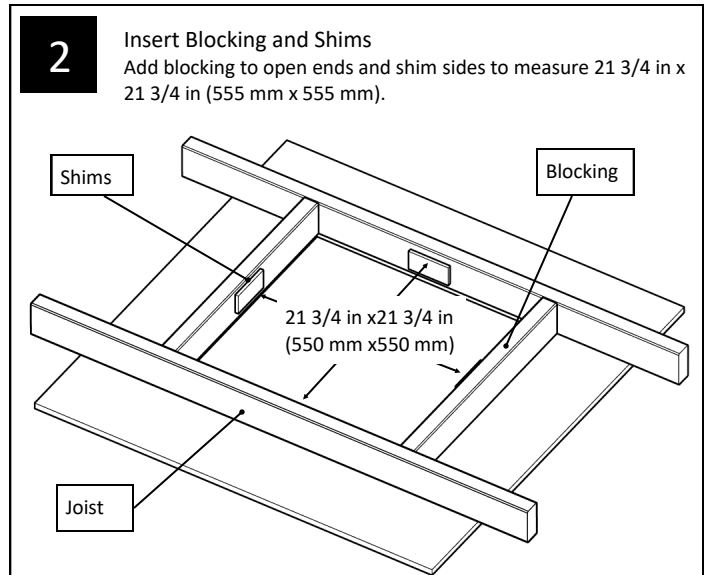
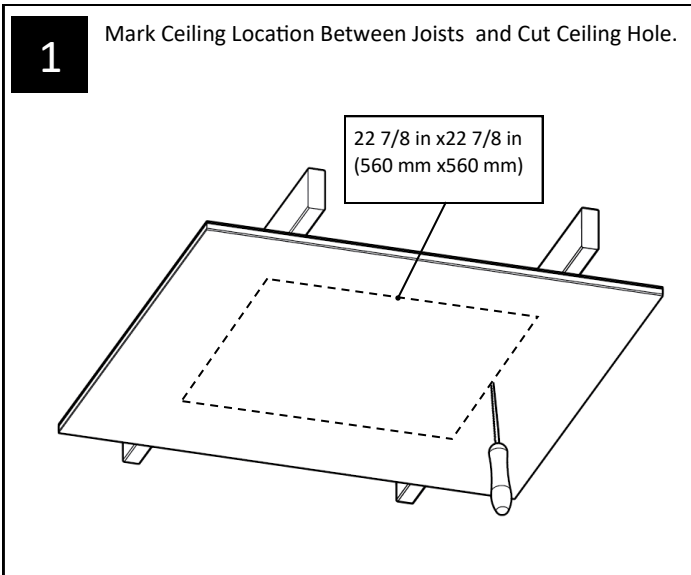
For the most current Installation Instructions, please visit www.solatube.com/instructions
 Solatube International, Inc. | 2210 Oak Ridge Way | Vista, CA 92081-8341 | www.solatube.com | T: 888.SOLATUBE

Hard Ceiling Installation Instructions Appendix

Note: This application is intended for the plastic polymeric transition box only.

Parts List	Quantity
1 Transition Box	(1)
2 Drill Tip Screw 1 5/8 in (40 mm)	(4)

Additional Materials and Tools	Quantity
1 Wood Blocking	(2)
2 Shims	(4)

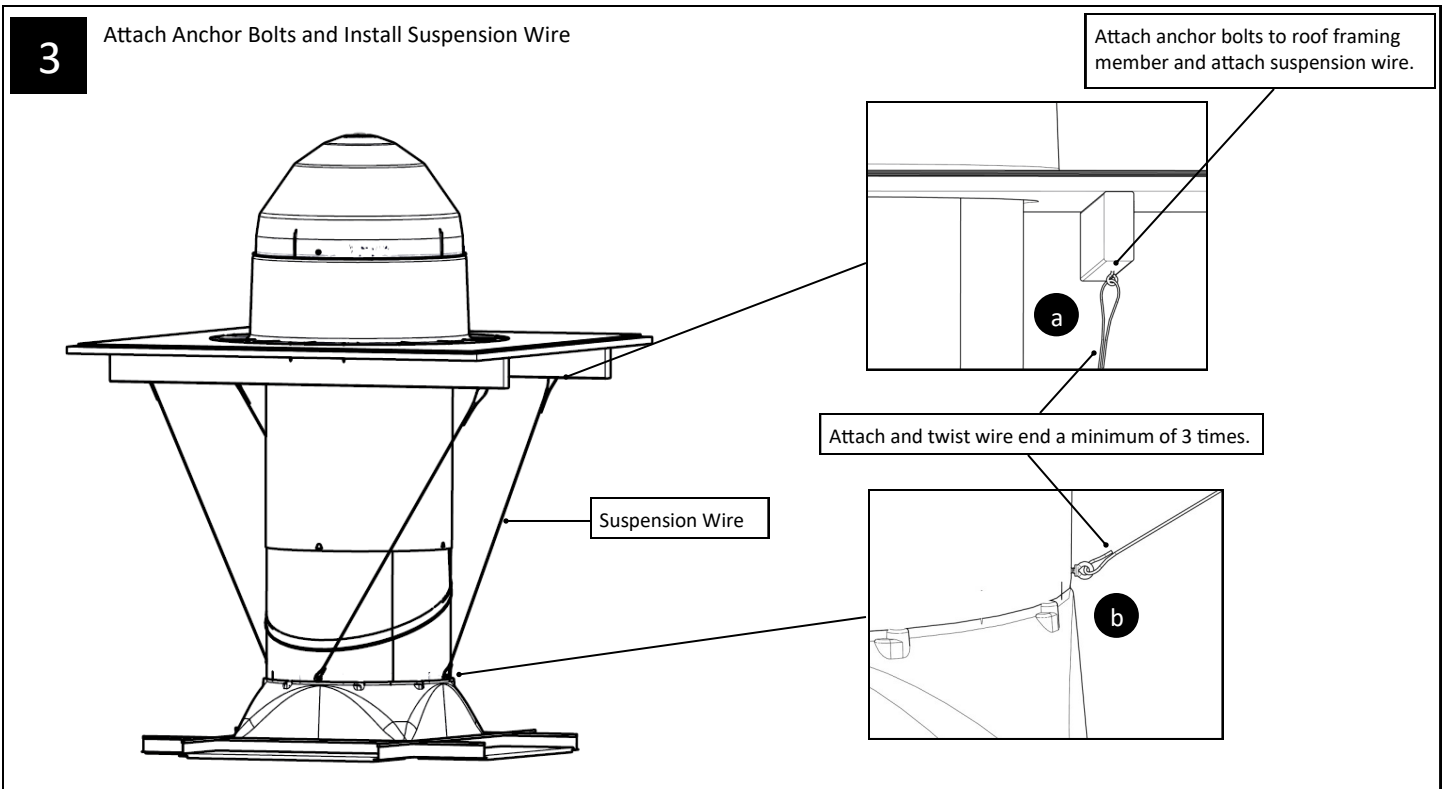
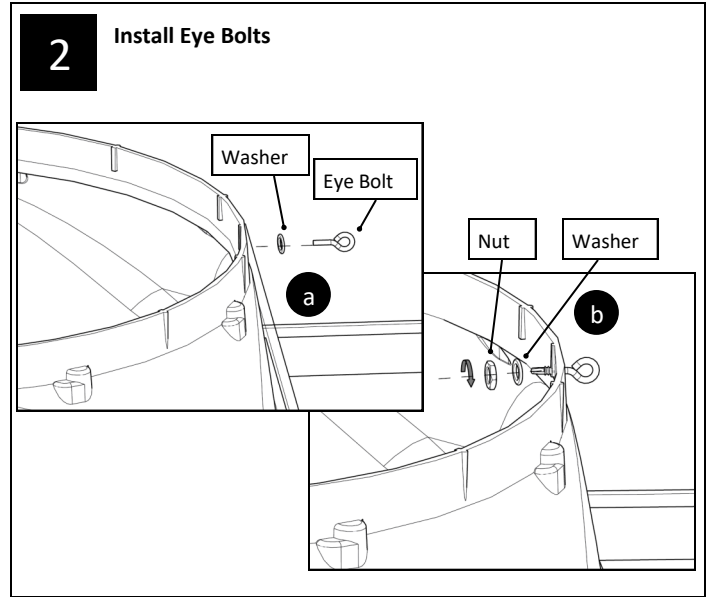
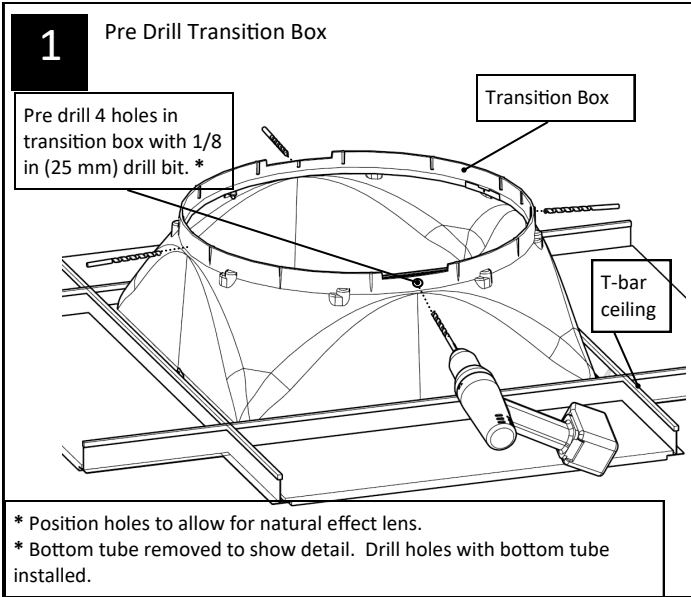


Suspension Wire Kit Installation Instructions Appendix

Plastic Polymeric Transition Box

Parts List		Quantity
1	12 Gauge Galvanized Wire 50 ft (15.25 m)	(1)
2	Anchor Bolts	(4)
3	Eye Bolt #8 1/8 in (25 mm) with Nut and (2) Washer	(4)

Additional Materials and Tools		Quantity
1	Drill Bit 1/8 in (3 mm)	(1)

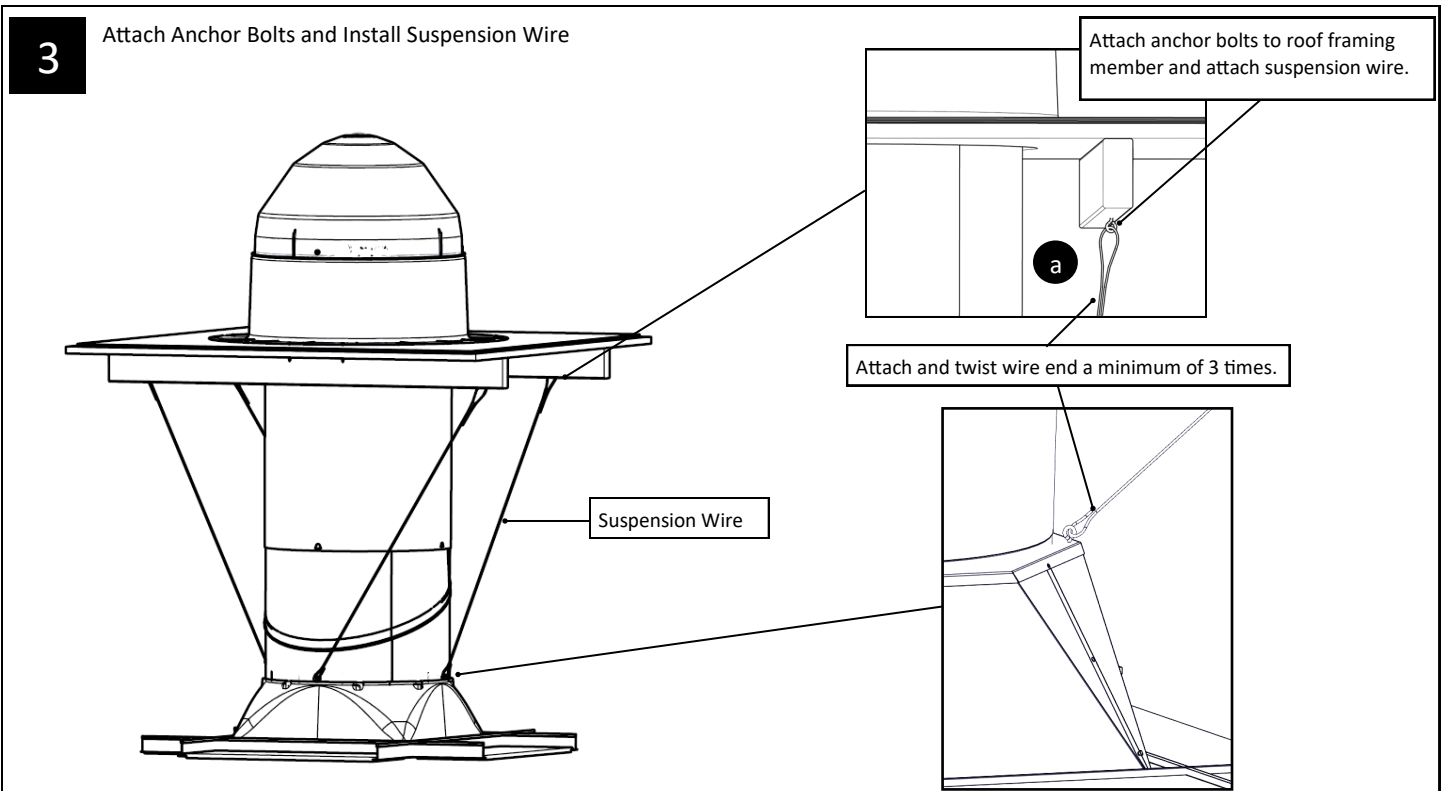
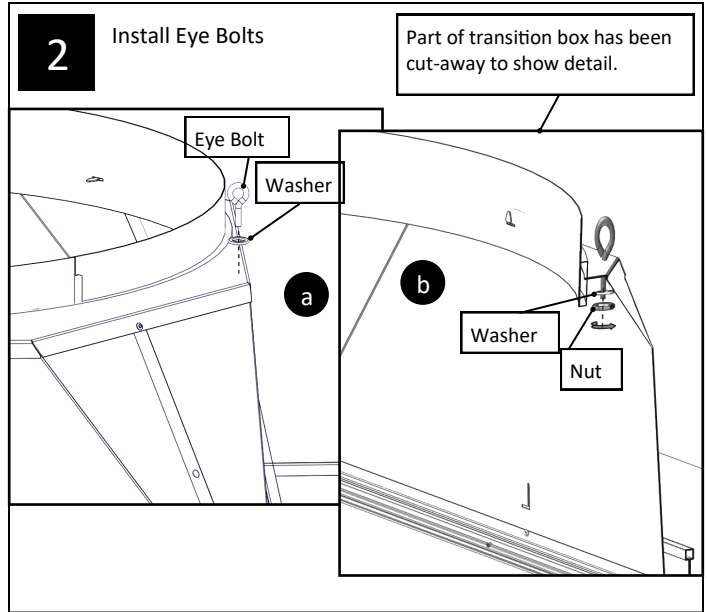
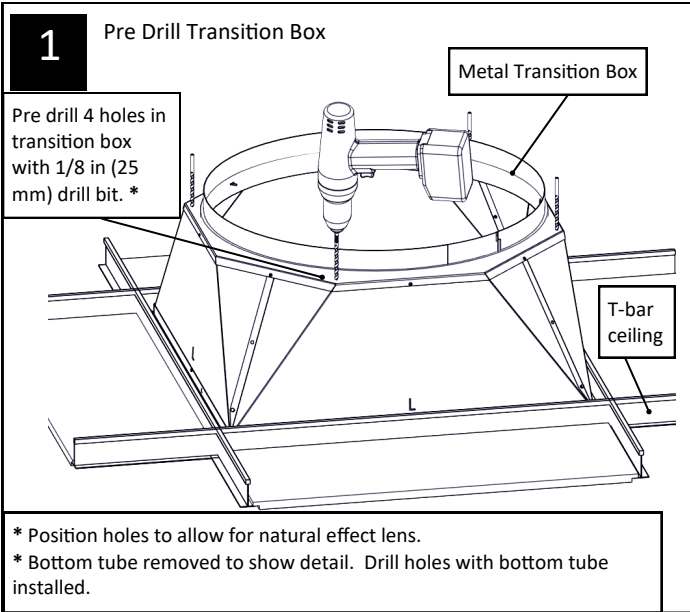


Suspension Wire Kit Installation Instructions Appendix

Metal Transition Box with Softlight Technology

Parts List	Quantity
1 12 Gauge Galvanized Wire 50 ft (15.25 m)	(1)
2 Anchor Bolts	(4)
3 Eye Bolt #8 1/8 in (25 mm) with Nut and (2) Washer	(4)

Additional Materials and Tools	Quantity
1 Drill Bit 1/8 in (3 mm)	(1)

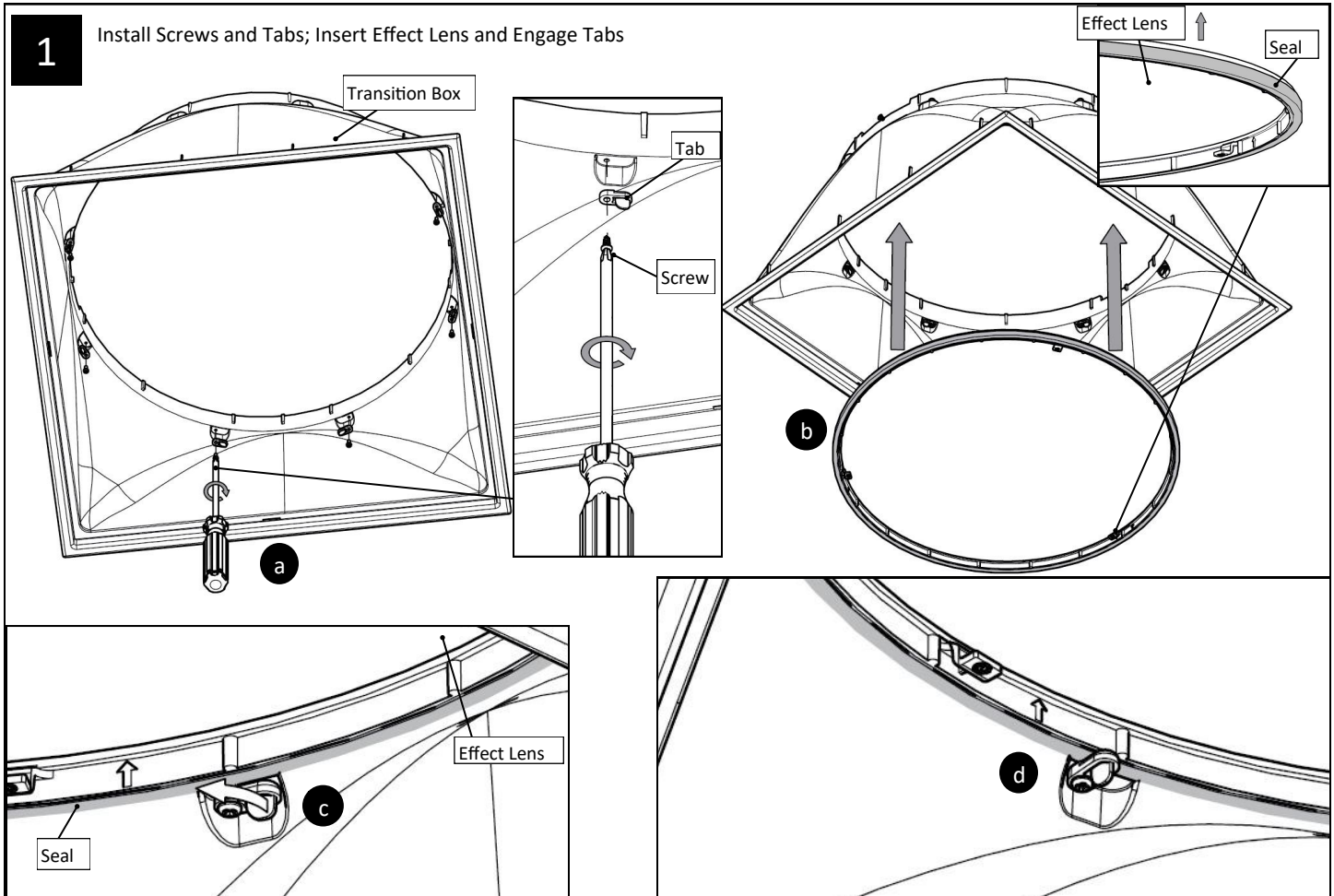


Natural Effect Lens Installation Instructions Appendix

Plastic Polymeric Transition Box

Parts List	Quantity
1 330 DS/750 DS Natural Effect Lens	(1)
2 Screw #6 X 3/8 in (10 mm)	(8)
3 Natural Effect Lens Tab	(8)

Additional Materials and Tools	Quantity
1 None	

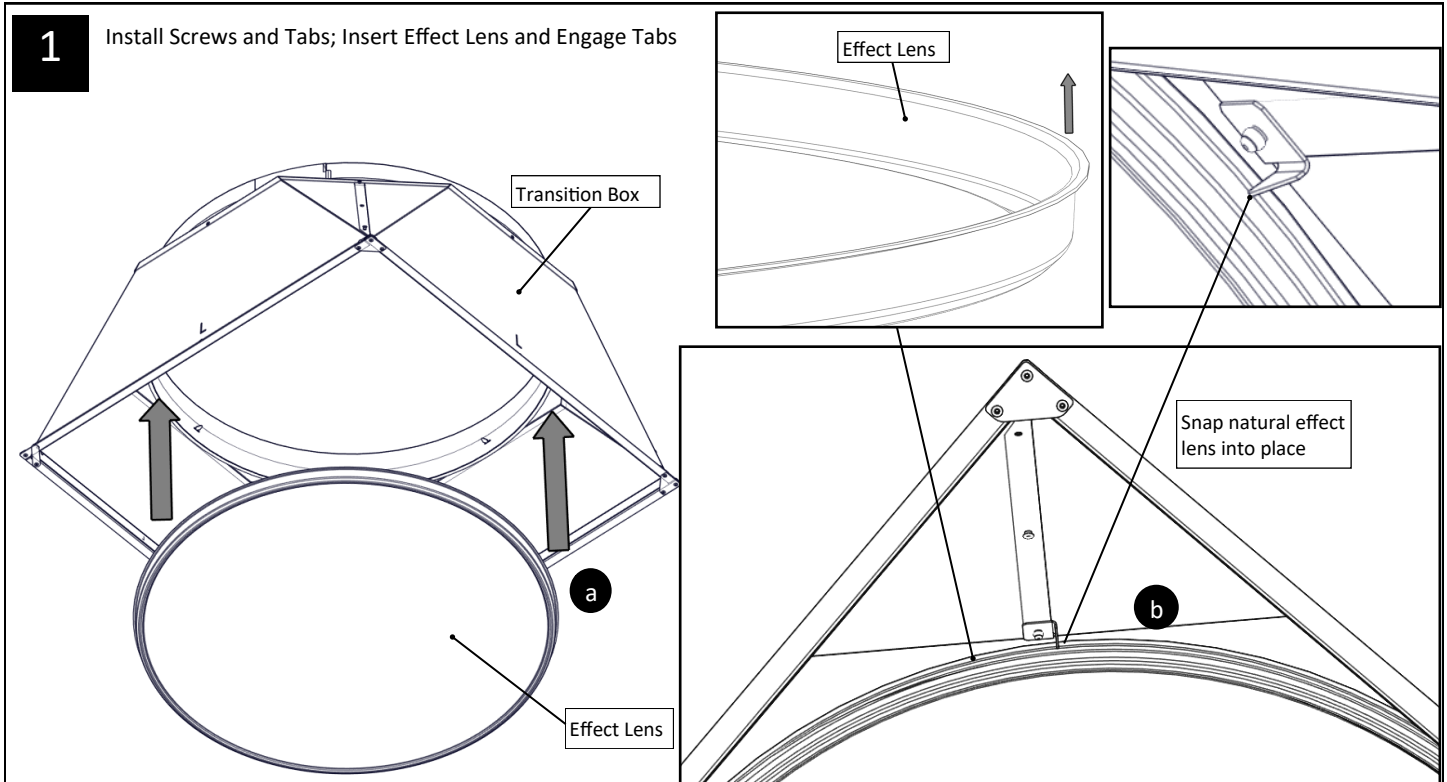


Natural Effect Lens Installation Instructions Appendix

Metal Transition Box with Softlight Technology

Parts List	Quantity
1 330 DS/750 DS Natural Effect Lens	(1)

Additional Materials and Tools	Quantity
1 None	



Thermal Insulation Panel (TIP) Installation Instructions Appendix

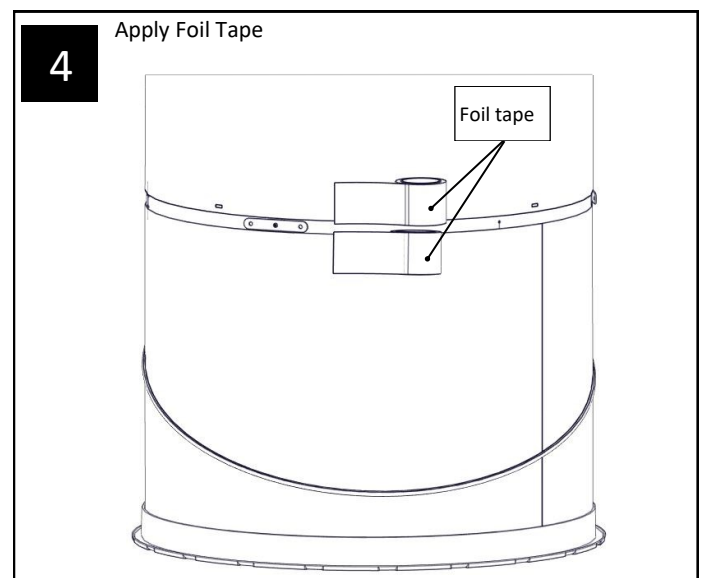
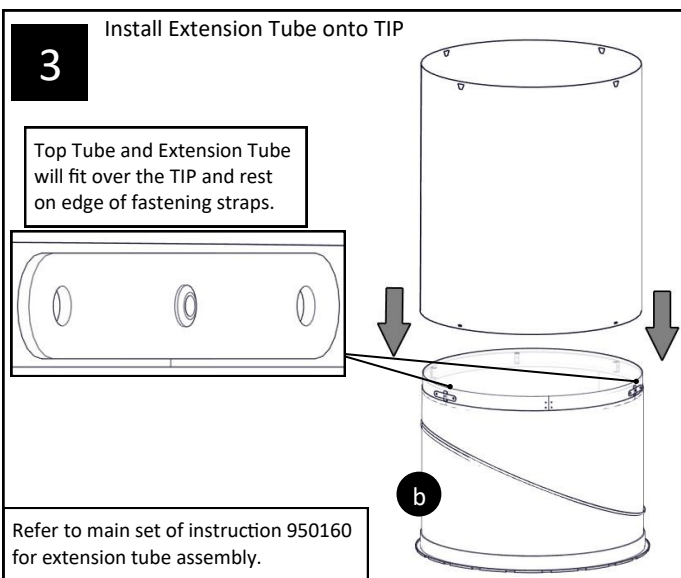
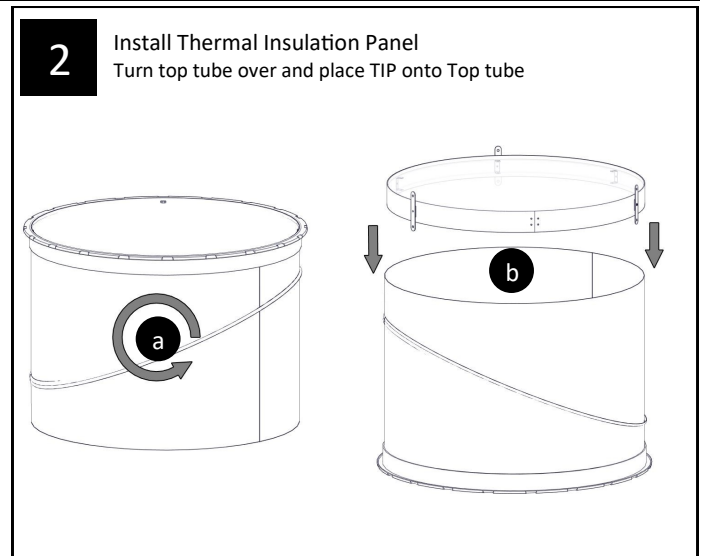
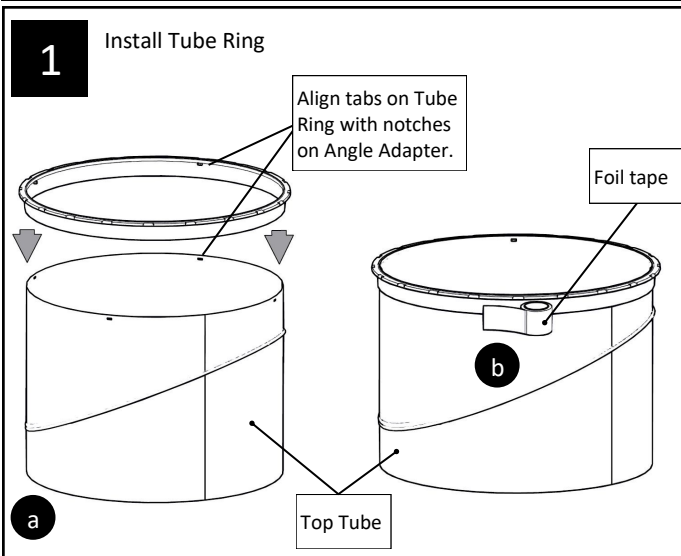
Parts List	Quantity
1 Thermal Insulation Panel (TIP)	(1)
2 Drill Tip Screw - #8 X 5/8 in (16 mm)	(4)
3 Tube Screws - #8 X 9/16 in (14 mm)	(6)
4 2 in (50 mm) Foil Tape - 6 ft (1.8 m)	(2)

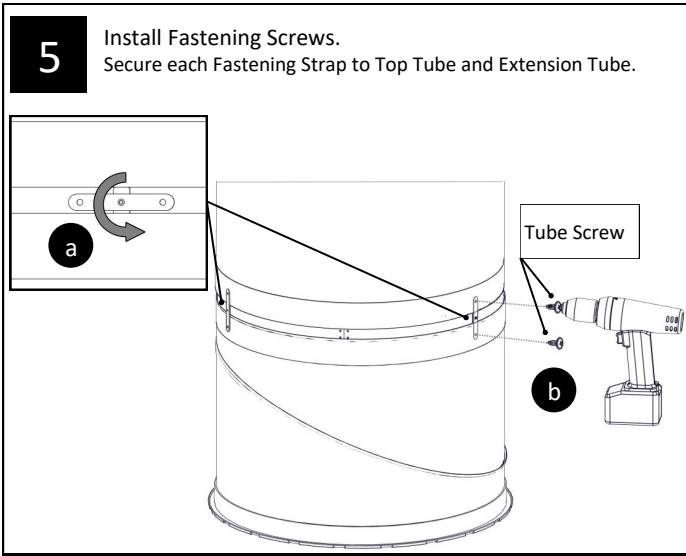
Additional Materials and Tools	Quantity
1 None	

Open Ceiling TIP Installation Instructions

For Applications with Insulation at Roof Level

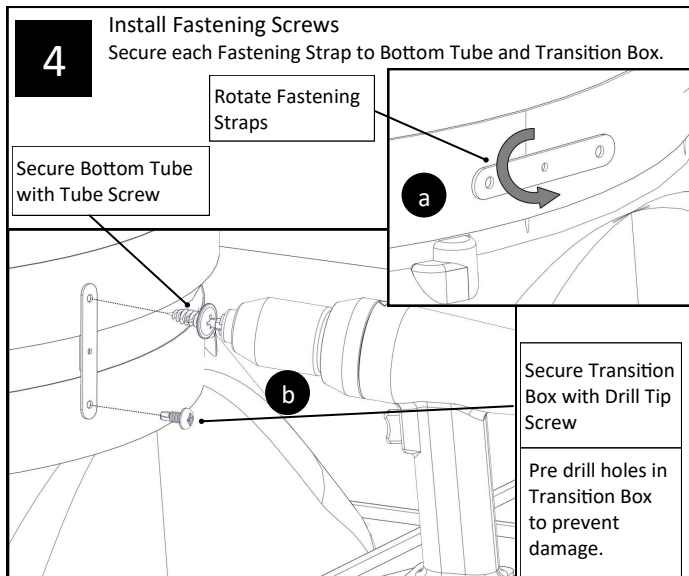
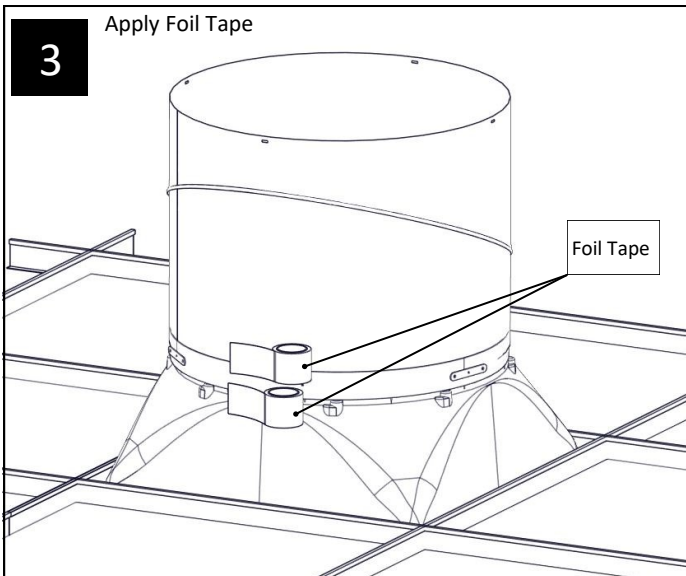
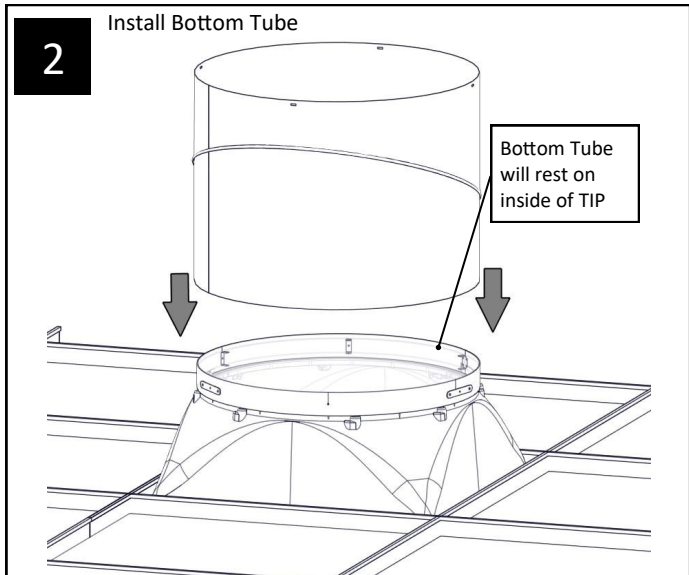
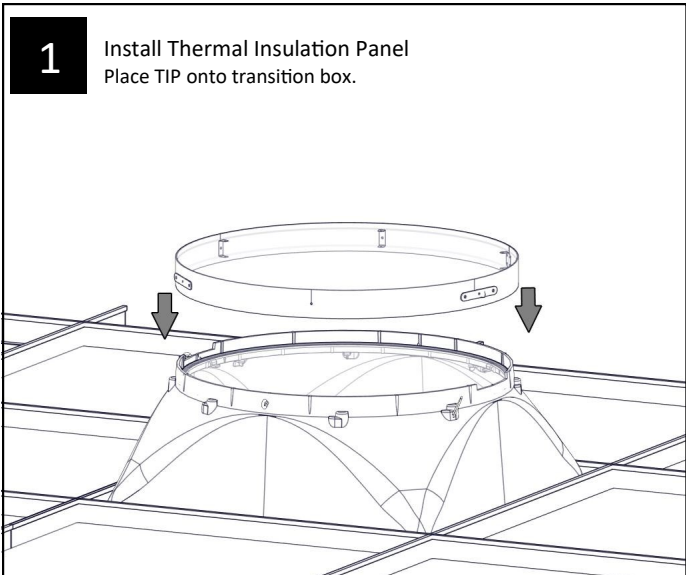
Note: For best thermal performance, install the Thermal Insulation Panel within the buildings insulation level.





Closed Ceiling TIP Installation Instructions

For Applications with Insulation at Ceiling Level with Plastic or Metal Transition Box

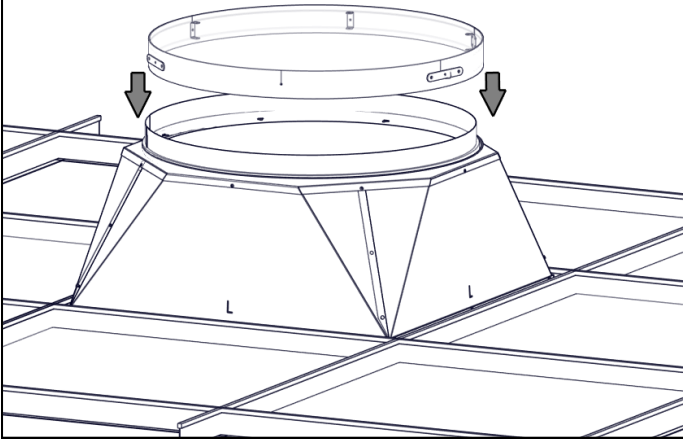


For the most current Installation Instructions, please visit www.solatube.com/instructions

Metal Transition Box Option

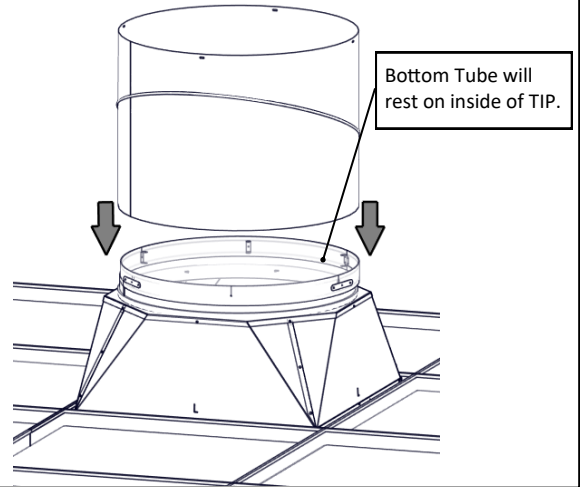
1a

Install Thermal Insulation Panel
Place TIP onto Metal Transition box.



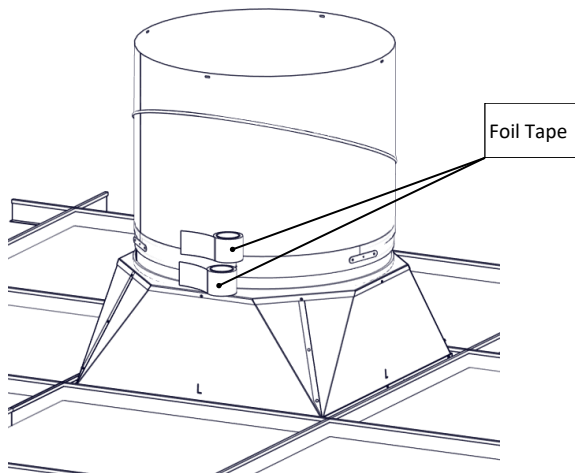
2a

Install Bottom Tube



3a

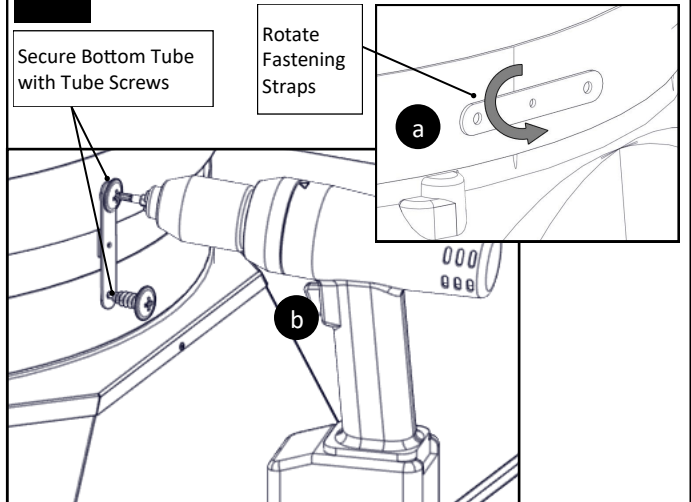
Apply Foil Tape



4a

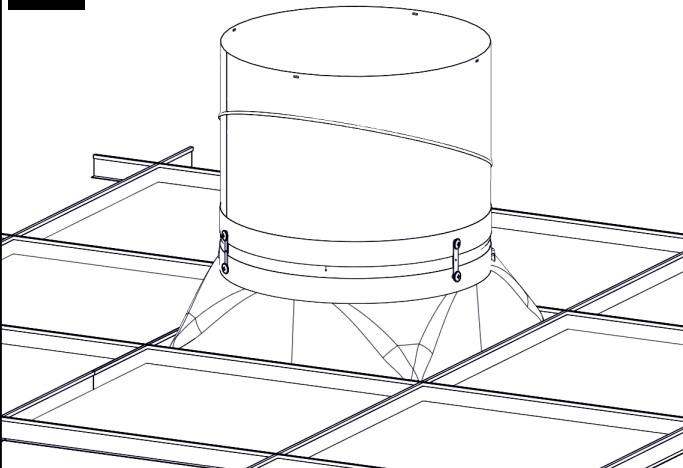
Install Fastening Screws

Secure each Fastening Strap to Bottom Tube and Transition Box.



5

Return to Main Set of Instructions to complete installation.

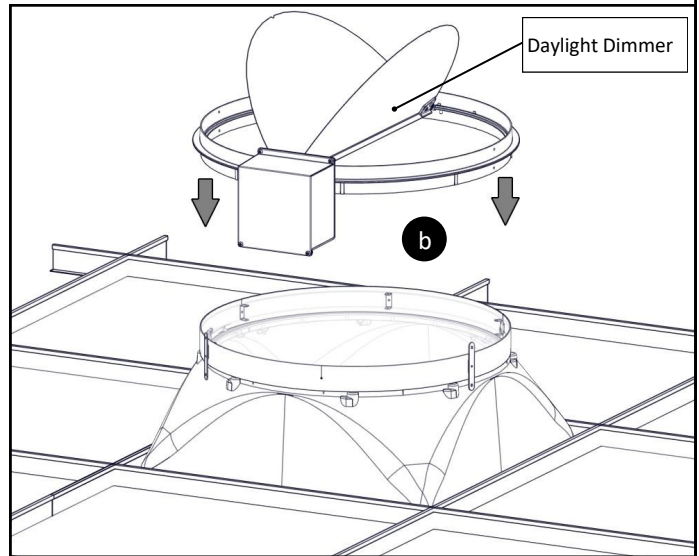
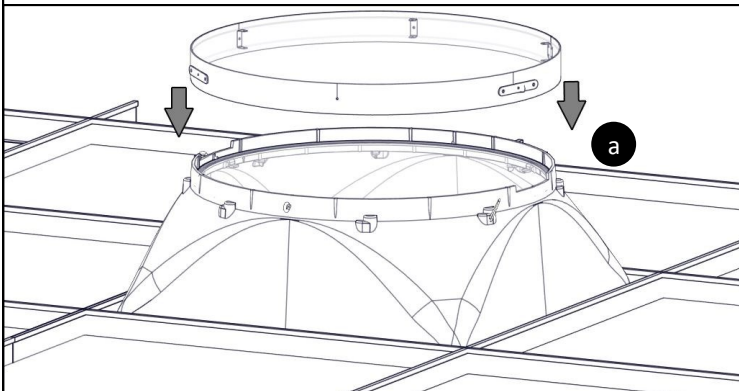


For the most current Installation Instructions, please visit www.solatube.com/instructions
Solatube International, Inc. | 2210 Oak Ridge Way | Vista, CA 92081-8341 | www.solatube.com | T: 888.SOLATUBE

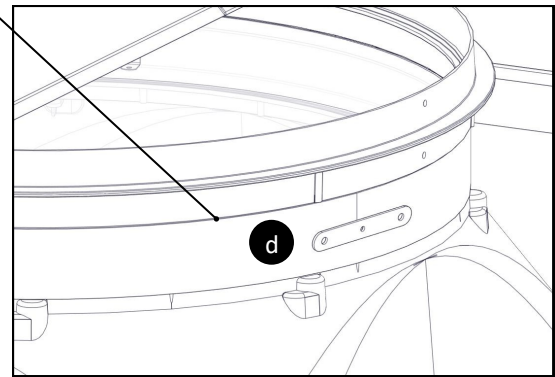
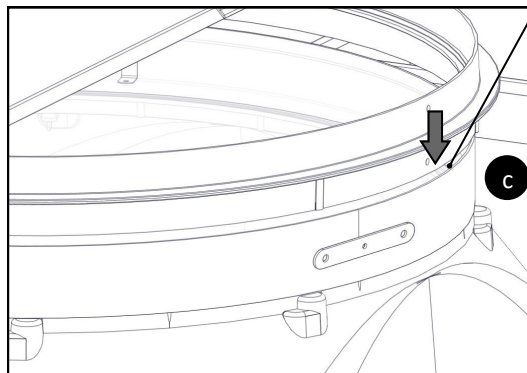
Closed Ceiling TIP with Daylight Dimmer Installation Instructions

For Applications with Insulation at Ceiling Level—Plastic or Metal Transition Box

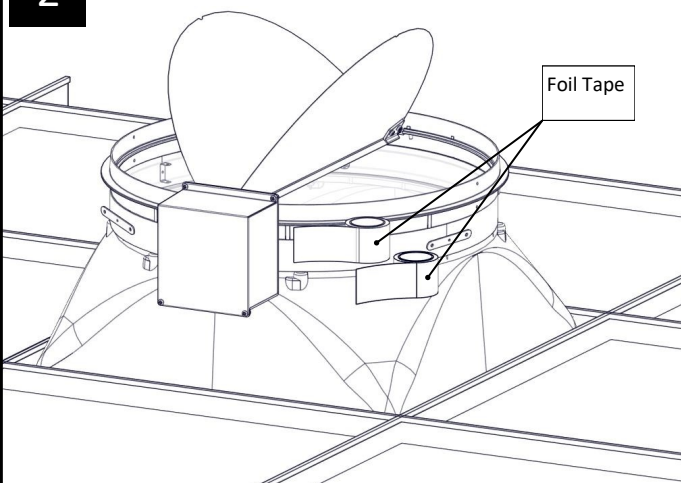
- 1** Install Thermal Insulation Panel and Daylight Dimmer
Place TIP onto transition box.



Place Daylight Dimmer onto TIP. Note: The Daylight Dimmer and the TIP share the same diameter. The Daylight Dimmer will rest on top edge of TIP.

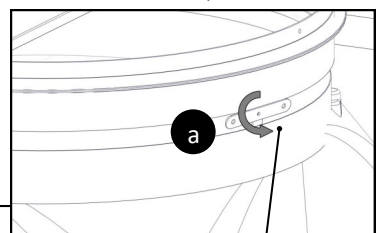
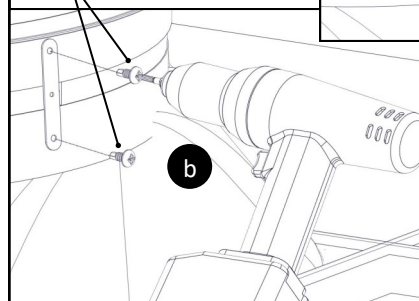


- 2** Apply Foil Tape



- 3** Return to Main Set of Instructions to complete installation.

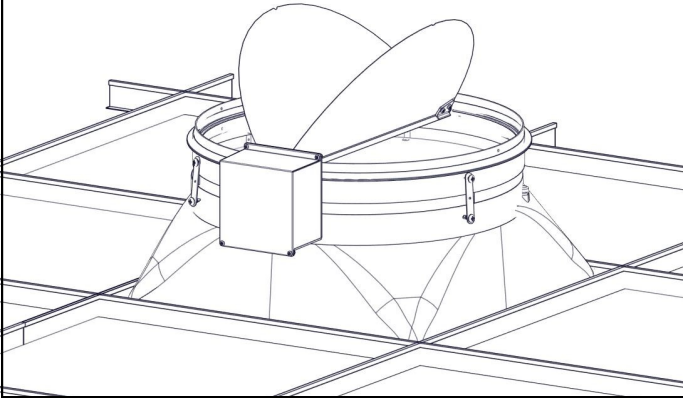
Secure Daylight Dimmer and Transition Box with Drill Tip Screws*



*Pre drill holes in Transition Box and Daylight Dimmer to prevent damage

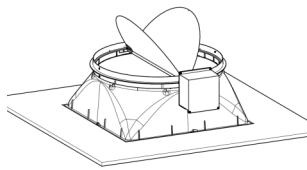
4

Return to Main Set of Instructions to complete installation.



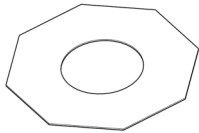
Solatube Solamaster® Series Additional Accessories

Add more function by upgrading your Solatube Daylighting System with any of these great accessories.



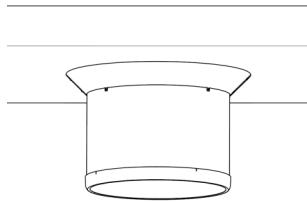
Daylight Dimmer

Because you don't need 100% of the light 100% of the time, the innovative Solatube Daylight Dimmer easily controls the amount of daylight entering a room with the convenience of a switch. Our patented variable butterfly baffle controls the light output.



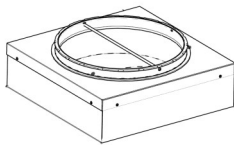
Flashing Insulator

This insulating material helps to reduce condensation in cold climates when the flashing is exposed to a humid interior space. The insulator is affixed to the flashing base and the top tube slips through the opening, which provides a seal between the interior and metal flashing.



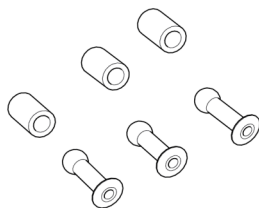
Open Ceiling Trim Ring

For use with the Solatube 330 DS and 750 DS Open Ceiling Configurations. The trim ring provides a finished appearance to the installation.



Security Bar

This stainless steel bar insets into the flashing turret across the diameter of the opening. The bar is fastened using rivets and inhibits entry through the dome.



Dome Security Kit

This kit consists of three rivets with nylon spacers, which replace dome screws. The dome security kit reduces the possibility of the dome being removed.

Notes



Solatube International, Inc.,
2210 Oak Ridge Way, Vista CA 92081-8341
Phone (800) 966-7652 • Fax (760) 599-5181
www.solatube.com Part No. 950160 v2.8

28 For the most current Installation Instructions, please visit www.solatube.com/instructions
Solatube International, Inc. | 2210 Oak Ridge Way | Vista, CA 92081-8341 | www.solatube.com | T: 888.SOLATUBE