



# Whole House Fan

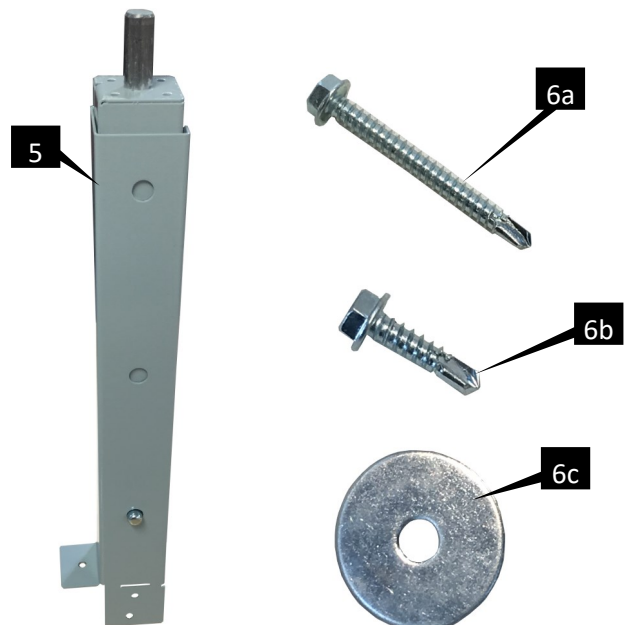
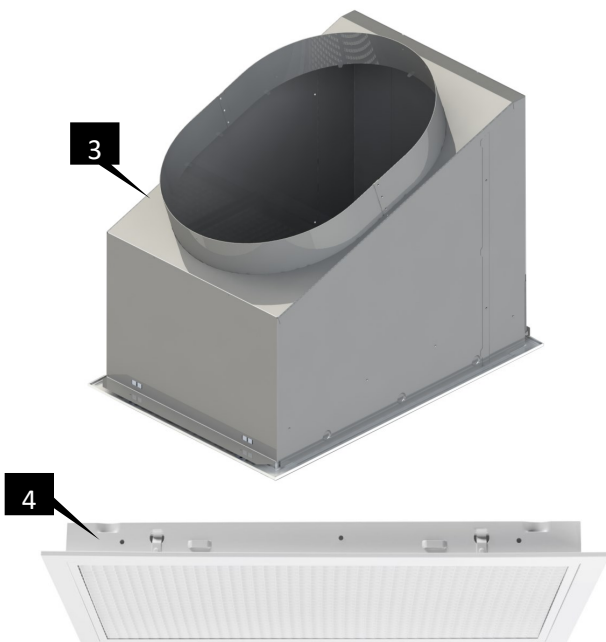
WHF 1500, GF 1500, WHF 3000  
Installation Instructions



Parts List *		Quantity
1	Fan Assembly w/ Set Screw (WHF 3000 Shown)	(1)
2	Insulated Ducting	(1)
3	Damper Box	(1)
4	Fan Grill	(1)
5	HushMount™ Assembly	(1)
Fastener Kit		
6	a. Screw #8 X 1.5 in (38 mm) Hex Head Drill Tip	(12)
	b. Screw #8 X 5/8 in (16 mm) Hex Head Drill Tip	(14)
	c. Washer	(2)
7	Remote Control with receiver (Not Shown)	(1)
8	Nylon Strapping (Sold Separately) (Not Shown)	
9	Foil Tape (Sold Separately) (Not Shown)	

### Required Tools:

Keyhole Saw
Screw Gun with 1/4 in Nut Driver (Hex Head)
Tape Measure
Utility Knife
Screwdriver with Phillips Head
Pencil
Required Safety Equipment



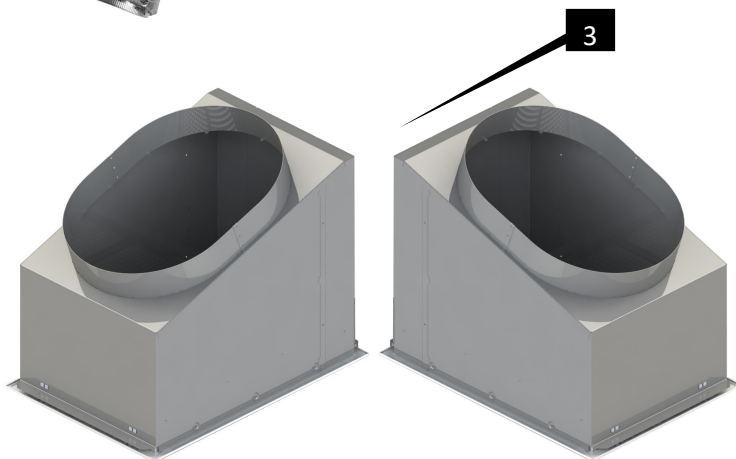
For the most current Installation Instructions, please visit [www.solatube.com/instructions](http://www.solatube.com/instructions)  
Solatube International, Inc. | 2210 Oak Ridge Way | Vista, CA 92081-8341 | [www.solatube.com](http://www.solatube.com) | T: 888.SOLATUBE



# Whole House Fan

WHF 4500, WHF 6000

Installation Instructions



Parts List *		Quantity
1	Fan Assembly w/ Set Screw (WHF 6000 Shown)	(2)
2	Insulated Ducting	(2)
3	Damper Box	(2)
4	Fan Grill	(1)
5	HushMount™ Assembly	(2)
Fastener Kit		
6	a. Screw #8 X 1.5 in (38 mm) Hex Head Drill Tip	(24)
	b. Screw #8 X 5/8 in (16 mm) Hex Head Drill Tip	(28)
	c. Washer	(4)
7	Remote Control with Receiver (Not Shown)	(1)
8	Nylon Strapping (Sold Separately) (Not Shown)	
9	Foil Tape (Sold Separately) (Not Shown)	

### Required Tools:

Keyhole Saw

Screw Gun with 1/4 in Nut Driver (Hex Head)

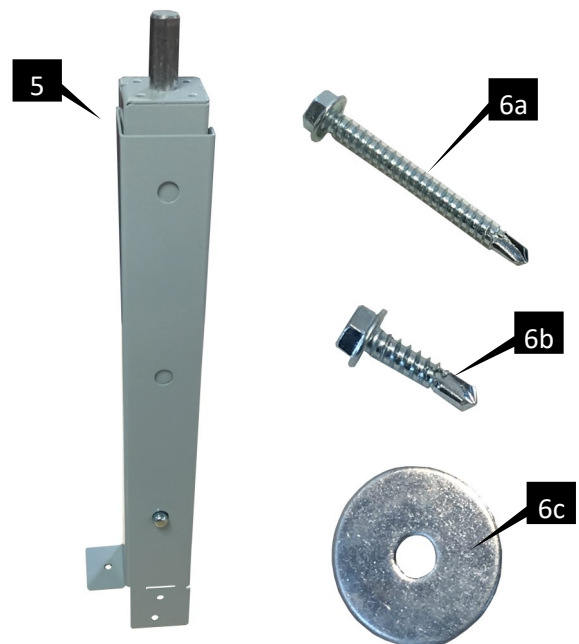
Tape Measure

Utility Knife

Screwdriver with Phillips Head

Pencil

Required Safety Equipment



# **WARNING**



**Do not proceed with the installation until you have read the entire instructions, including these warnings. (Use of materials or methods not authorized by Solatube International will result in an invalid warranty.)**

Solatube International, Inc. (seller) assumes no responsibility or obligation whatsoever for the failure of an architect, contractor, installer, or building owner to comply with all applicable laws, ordinances, building codes, electrical codes, energy codes, fire and safety codes and requirements, roof warranties and adequate safety precautions. Installation of this product should be attempted only by individuals skilled in the use of the tools and equipment necessary for installation. Protect yourself and all persons and property during installation. If you have any doubt concerning your competence or expertise, consult a qualified expert before proceeding. **Deviation from these instructions in any manner, including application and mounting, will result in a voided warranty.**

## **Install at your own risk!**



Solatube product installations may be dangerous and include the potential for death, personal injury and property damage. The hazardous conditions include but are not limited to the following:

- Solatube Daylighting Systems, Solar Star products, and Whole House Fan ventilation systems may have sharp edges. Always wear leather or canvas gloves while handling and installing products.
- Solatube product installations require climbing and working at dangerous heights, including on ladders, scaffolding, roofs and in attic spaces. Risk of death, personal injury and property damage may result from a fall, or from falling objects. Use extreme caution to minimize risk of accidental injury, including, but not limited to the following procedures:
  - Clear area below your work space of all people, animals and other items.
  - Avoid working on surfaces that are slippery or wet.
  - Use foot-wear with excellent traction.
  - Use only strong, well supported ladders.
  - Work only in calm dry weather.
  - When in the attic, ensure that your weight is supported at all times with structurally sound framing; drywall material is not designed to carry a person's weight.
- To reduce the risk of fire, electric shock, and personal injury, basic safety precautions should always be followed when using electric tools, including always wearing safety goggles or other suitable eye protection, and ensuring work area is clear of all electrical wires, gas pipes, water pipes, and other obstacles.
- When working in the attic or other dusty areas, use of a mask or respirator is recommended to avoid lung irritation. Attic spaces may be dark, confined, and subject to extreme temperatures. Beware of sharp protruding objects. Do not attempt installation without having someone within range of your voice or close enough to come to your aid if necessary.
- Solatube products are not designed to withstand the weight of a person, tools or other objects. Walking or placing objects on the system could cause personal injury and property damage. If the product is damaged, the structural capacity may be weakened; therefore the system should be repaired immediately. For safe installation and use, do not deviate from these installation instructions.



## **Whole House Fan Installation Tips**

These instructions are a step-by-step guide for the installation of Solatube Whole House Fan ventilation products in the following conditions.

**PLEASE READ AND SAVE THESE INSTRUCTIONS**

## **WARNING**

**To Reduce The Risk Of Fire Or Electric Shock, Do Not Use This Fan With Any Solid-State Speed Control Device. Electrical Connections Should Only be Performed By A Licensed Electrician.**

## **To Reduce The Risk Of Fire, Electric Shock, Or Injury To Persons, Observe The Following:**

- Use this unit only in the manner intended by the manufacturer. If you have questions, please contact your Solatube International representative.
- Before servicing or cleaning unit, switch power off at service panel and lock the service disconnecting means to prevent power from being switched on accidentally. When the service disconnecting means cannot be locked, securely fasten a prominent warning device, such as a tag, to the service panel.

## **Caution**

- For General Ventilation Use Only. Do Not Use To Exhaust Hazardous or Explosive Materials and Vapors.
- Installation work and electrical wiring must be done by qualified persons (s) in accordance with all applicable codes and standards, including fire rated construction.
- Sufficient air is needed for proper combustion and exhausting of gases through the flue (chimney) of fuel burning equipment to prevent back drafting. Follow the heating equipment manufacturer's guidelines and safety standards such as those published by the National Fire Protections Association (NFPA), and the American Society for Heating, Refrigeration and Air Conditioning Engineers (ASHRAE), and local code authorities.
- When cutting or drilling into wall or ceiling, do not damage electrical wiring and other hidden utilities.
- If this unit is to be installed over a tub or shower, it must be marked as appropriate for the application and be connected to a GFCI (Ground Fault Circuit Interrupter) - Protection branch circuit.

For the most current Installation Instructions, please visit [www.solatube.com/instructions](http://www.solatube.com/instructions)

Solatube International, Inc. | 2210 Oak Ridge Way | Vista, CA 92081-8341 | [www.solatube.com](http://www.solatube.com) | T: 888.SOLATUBE

## Overview

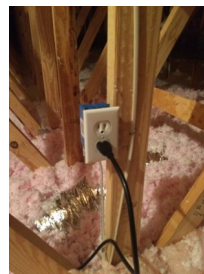
### Locate Desired Placement of the Whole House Fan

**NOTE:** The attic must be large enough to accommodate the Whole House Fan in the chosen location. There must be a minimum vertical clearance of 30" from top of ceiling joist to roof rafter. Also, the attic must have accessible power close enough to be able to plug in the fan or hard wire to existing electrical.

**NOTE:** Please ensure that there is adequate net free ventilation for the Solatube Whole House Fan. You will need one (1) square foot of net free vent area for every 750 CFM of fan capacity.

## WARNING

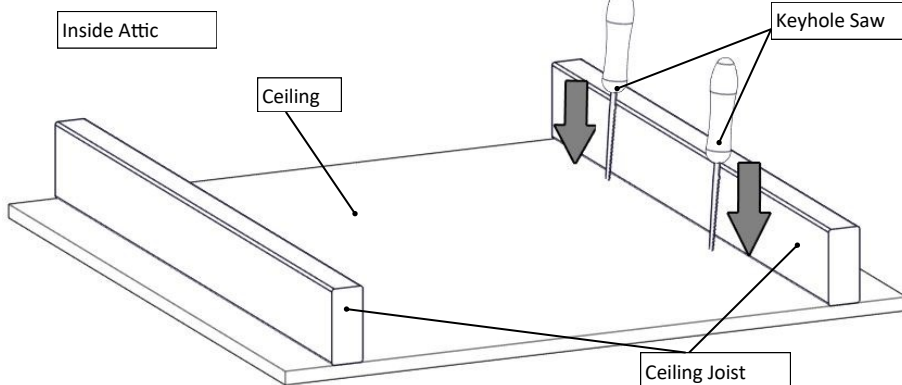
Avoid backdrafting of combustion appliances (i.e. gas fired water heaters and gas fired furnaces) by ensuring adequate ventilation is available and properly maintained. It is recommended to test the ventilation system to ensure intake and outlet ventilation is properly balanced. In some cases, it may be necessary to increase the number of vents to achieve this. *When installing ventilation systems into a garage, it is recommended to test the system to ensure backdrafting is not occurring regardless of the amount of venting.*



1

### Mark Ceiling Locations for Damper Box Between Joists

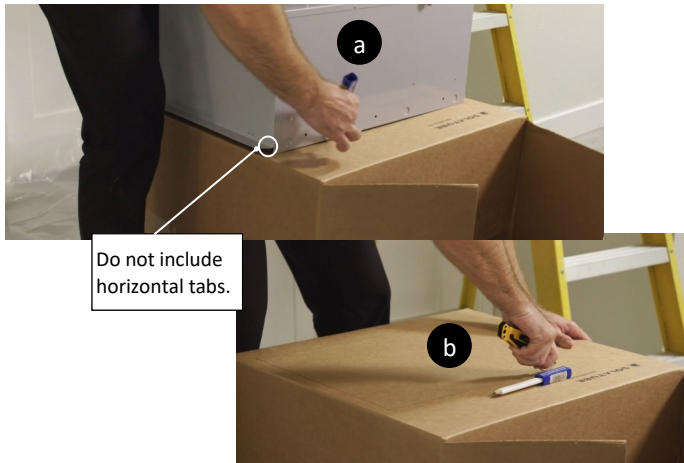
In the attic, use a keyhole saw to make two holes in the drywall against the edge of the joist. This will work as a guide for the template used in the next step. Ensure that one of the holes is used as the corner alignment and ensure the grill will be in the desired location on the ceiling.



2

### Create a Template

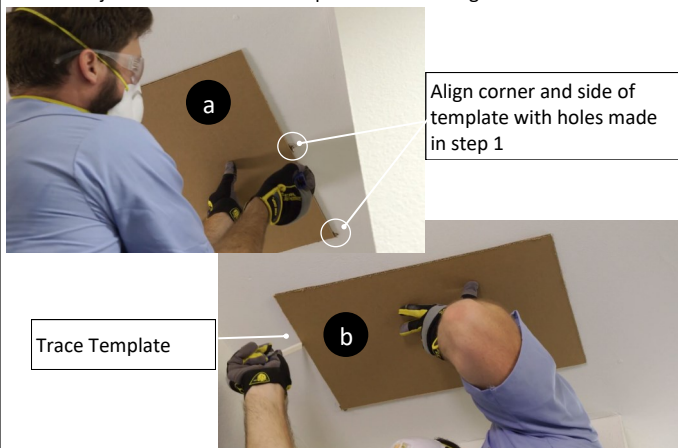
Place the Damper Box on the cardboard box and trace the outside edge onto the box. Next cut the template using a razor knife.



3

### Trace Template onto Ceiling

Align the corner edge of template with one hole and the side with the second hole to ensure the opening will be aligned with the joist. Next trace the template to the Ceiling.



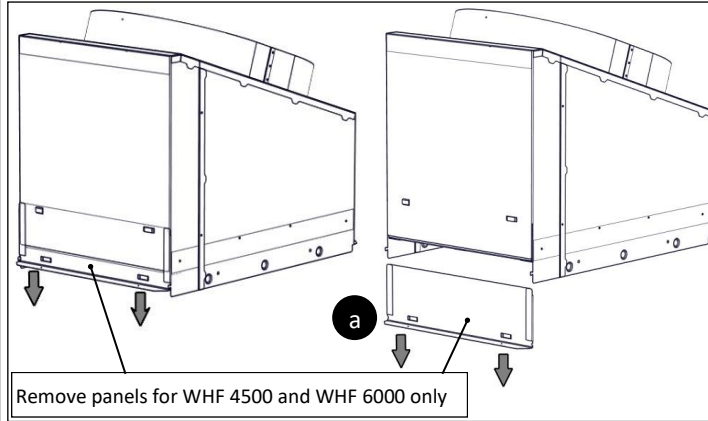
4

For the most current Installation Instructions, please visit [www.solatube.com/instructions](http://www.solatube.com/instructions)

Solatube International, Inc. | 2210 Oak Ridge Way | Vista, CA 92081-8341 | [www.solatube.com](http://www.solatube.com) | T: 888.SOLATUBE

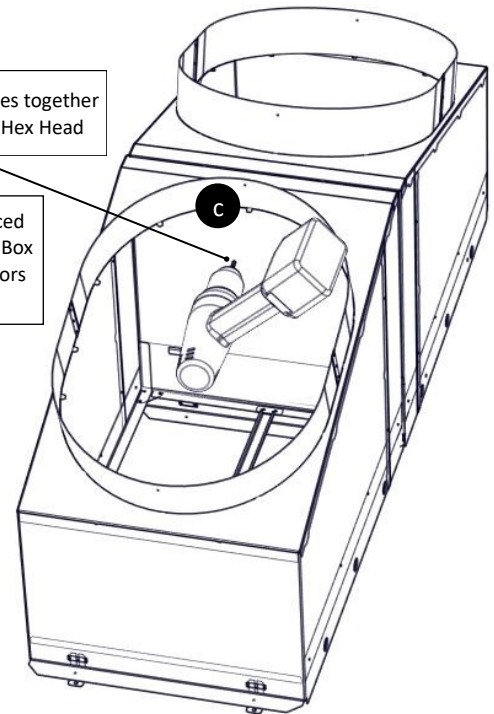
## Alternate Instructions for WHF 4500 and WHF 6000

### Assemble Damper Boxes

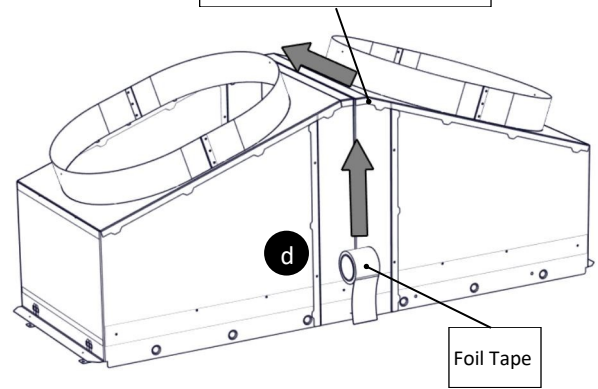
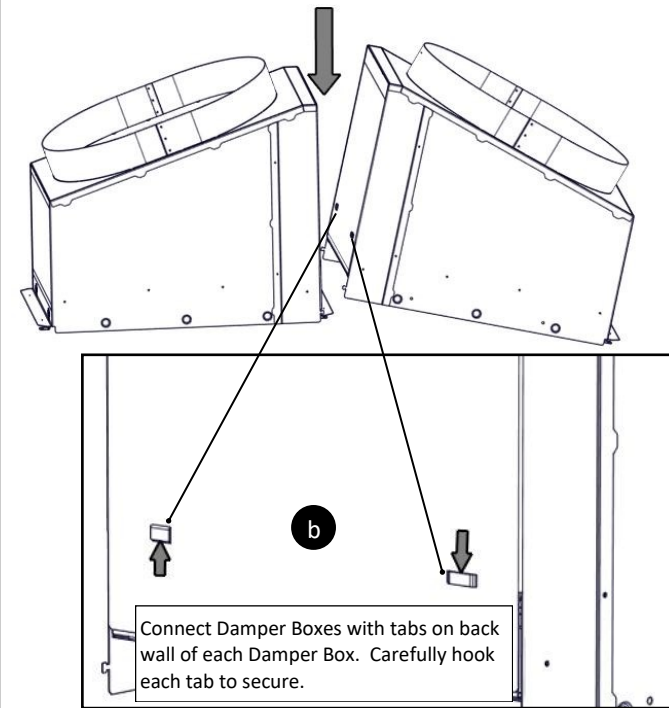


Secure Damper Boxes together with one (1) 5/8 in. Hex Head

Ensure screw is placed high in the Damper Box to allow damper doors to open properly



Tape Connected Damper Boxes



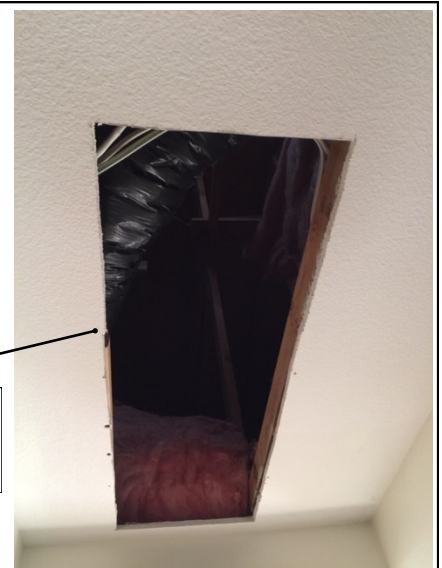
## Alternate Continued

### Create a Template

Place the Damper Boxes on the cardboard box and trace the outside edge onto the box. Next cut the template using a razor knife.



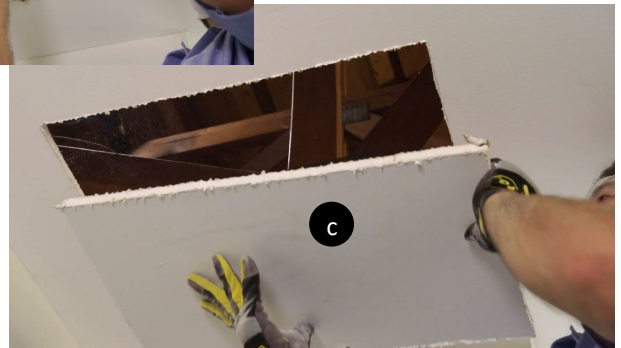
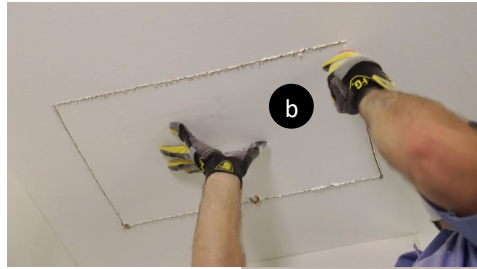
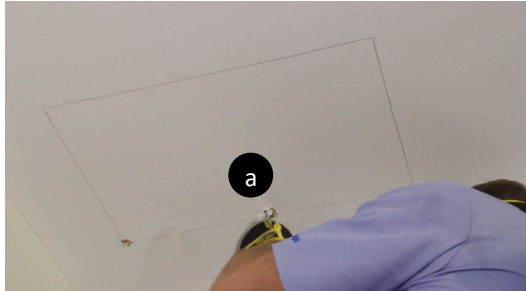
Trace Template onto Ceiling  
Follow the same process as step 3 to trace larger opening.



For the most current Installation Instructions, please visit [www.solatube.com/instructions](http://www.solatube.com/instructions)  
Solatube International, Inc. | 2210 Oak Ridge Way | Vista, CA 92081-8341 | [www.solatube.com](http://www.solatube.com) | T: 888.SOLATUBE

4

Cut Ceiling Hole  
Using a keyhole saw, cut along traced line



5

Insert Materials into Attic  
Place all remaining materials, except for the Damper Box and Grill, into the attic through the cut opening or existing access door.



6

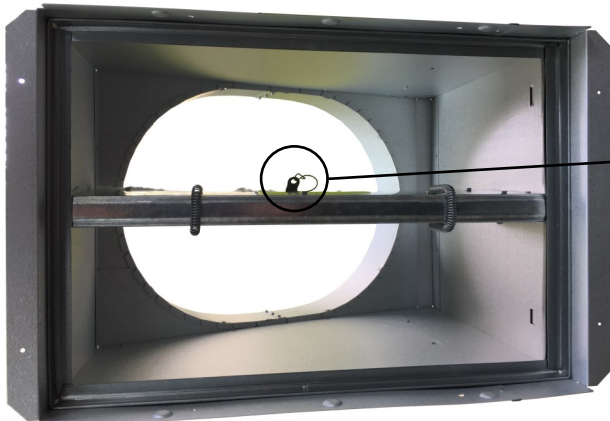
Insert Damper Box into Ceiling  
Ensure all sides of the damper box are centered on the hole and one side of the damper box is snug against the joist



### Alternate Instructions for GF 1500



Caution: When installing the WHF 1500G (Garage Installation Only) ensure the fire damper doors are open and the fusible link is engaged for proper operation of the fire dampers. Fire Dampers are required for all garage applications.



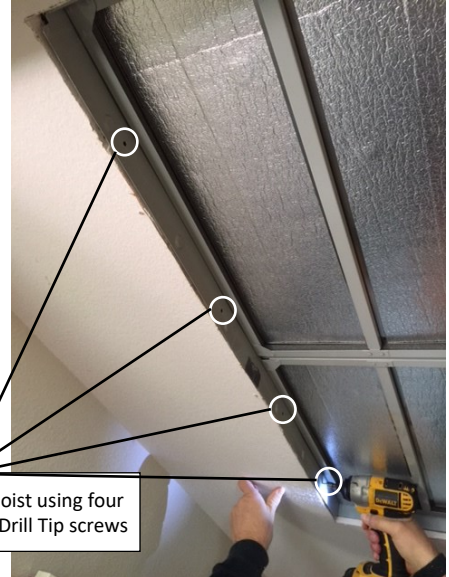
For the most current Installation Instructions, please visit [www.solatube.com/instructions](http://www.solatube.com/instructions)

Solatube International, Inc. | 2210 Oak Ridge Way | Vista, CA 92081-8341 | [www.solatube.com](http://www.solatube.com) | T: 888.SOLATUBE

## Alternate Instructions for WHF 4500 and WHF 6000

### Insert Damper Boxes into Ceiling

Ensure all sides of the damper boxes are centered on the hole and one side of the damper box is snug against the joist

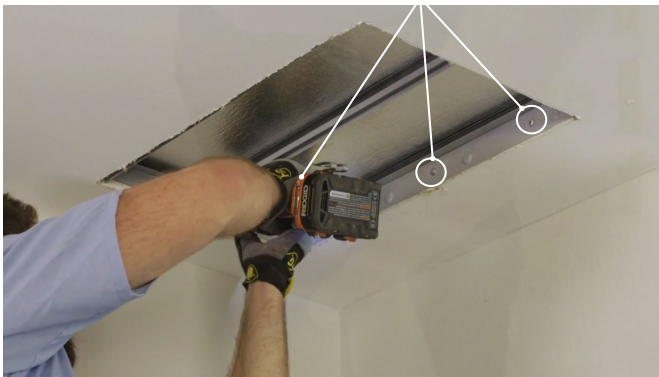


Secure the Damper Box to the joist using four evenly spaced 1.5 in Hex Head Drill Tip screws

7

### Fasten Damper Box to Joist

Secure the Damper Box to the joist using three evenly spaced 1.5 in Hex Head Drill Tip screws



8

### Insert Grill Frame

Slide Grill Frame into Damper Box



8a

### Insert Grill Frame for WHF 4500 or WHF 6000

Slide Grill Frame into Damper Box



9

### Fasten Grill Frame to Damper Box for WHF 1500 and WHF 3000

Press Grill Frame against the ceiling. While firmly grasping the Damper Box and Grill Frame together, fasten to Damper box using two (2) 5/8 in Hex Head Drill Tip screws on each side of Grill Frame (four (4) total)

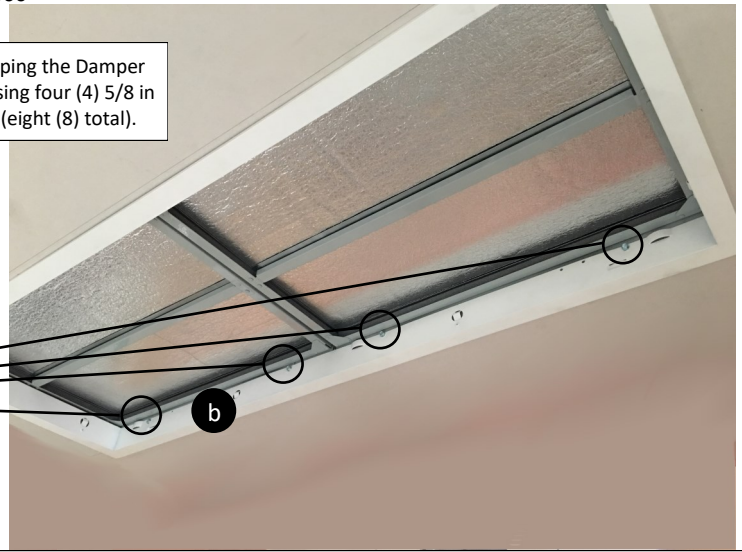


**⚠** Ensure Damper Box and frame are pulled tightly together to prevent vibration.

9a

Fasten Grill Frame to Damper Box for WHF 4500 and WHF 6000

Press Grill Frame against the ceiling. While firmly grasping the Damper Box and Grill Frame together, fasten to Damper box using four (4) 5/8 in Hex Head Drill Tip screws on each side of Grille Frame (eight (8) total).

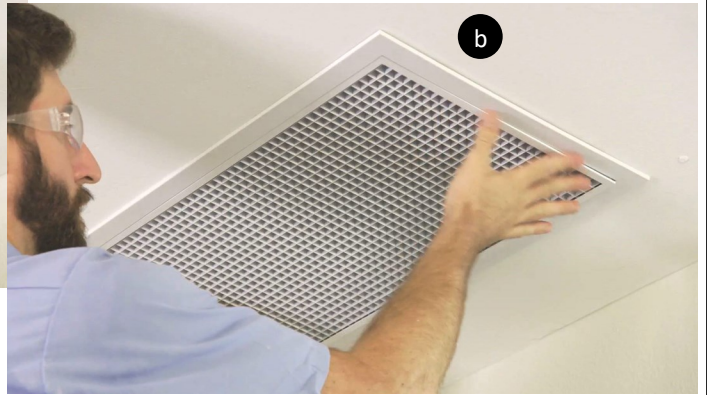


**NOTE:** Install screws high enough on Grill Frame to ensure they will not interfere with the Fan Grill installation.

10

Install Intake Grate

Slide Intake Grate into frame and snap into place.



The remaining steps are performed in the attic.

11

Place Ducting onto Damper Box

Ensure the duct air flow arrow is pointed towards the fan.



12

Fasten Ducting to Damper Box

Slide ducting collar over Damper Box and secure with three 5/8 in Hex Head Drill Tip screws evenly spaced around the circumference of the collar.



For the most current Installation Instructions, please visit [www.solatube.com/instructions](http://www.solatube.com/instructions)

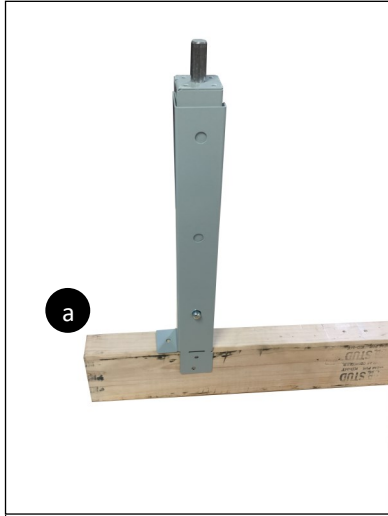


13

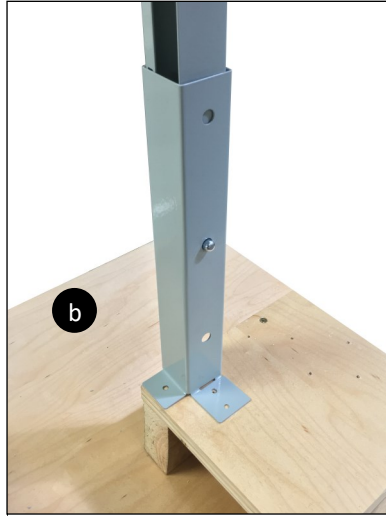
Install HushMount Assembly

Determine the best location to install the HushMount Assembly on the attic floor.

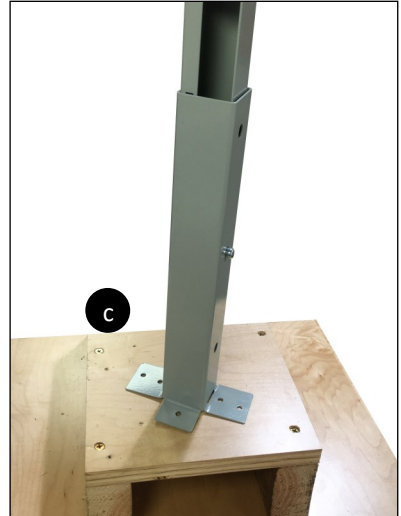
NOTE: Choose a location that will ensure no restrictions in the ducting.



Direct attachment to ceiling joist



Corner attachment to ceiling joist and plywood flooring

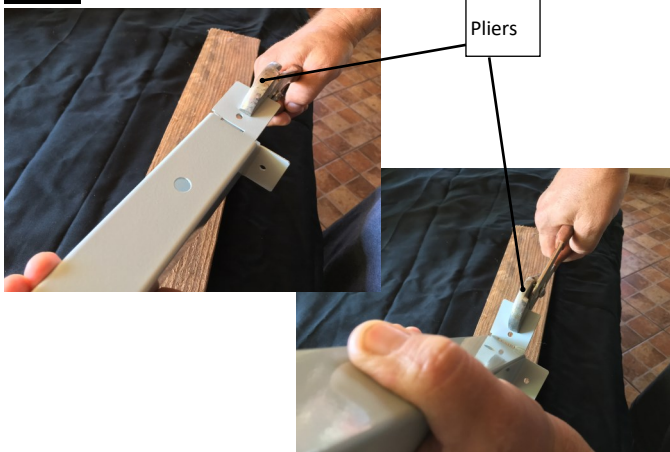


Flat attachment to plywood flooring

14

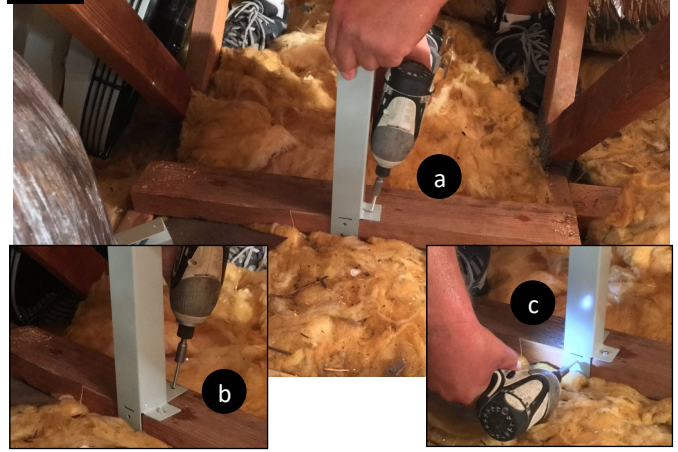
If Necessary Bend Leg(s)

Bend legs with pliers for proper attachment



15

Fasten HushMount to Ceiling Joist or Plywood Flooring with three (3) 1.5 in. Hex Head Screws

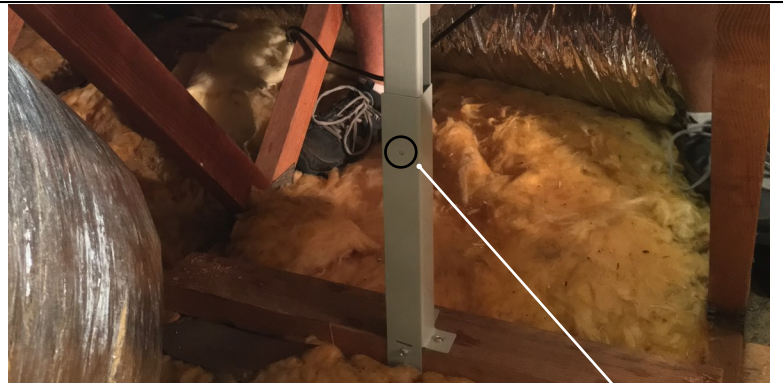


16

Adjust HushMount and Fasten Together



Adjust HushMount to appropriate height with spring clip



Once optimal height is located fasten HushMount Assembly with one 5/8 in Hex Head Drill Tip Screw

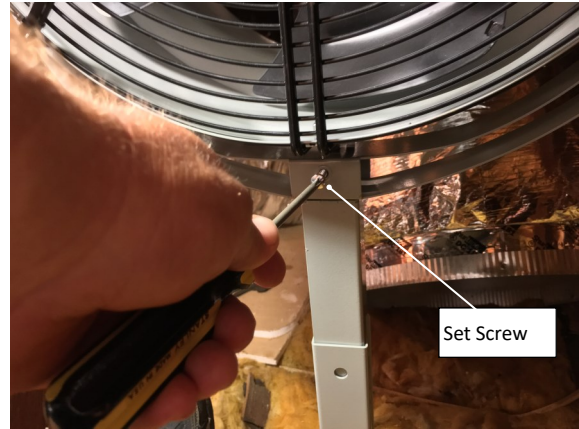
17

Place Fan Assembly onto HushMount Assembly



18

Position Fan to optimal location / direction and fasten Fan Assembly to HushMount using Set Screw



19

Fasten Ducting to Fan  
Slide ducting over the fan and secure with three 5/8 in Hex Head Drill Tip Screws evenly around the circumference of the collar.



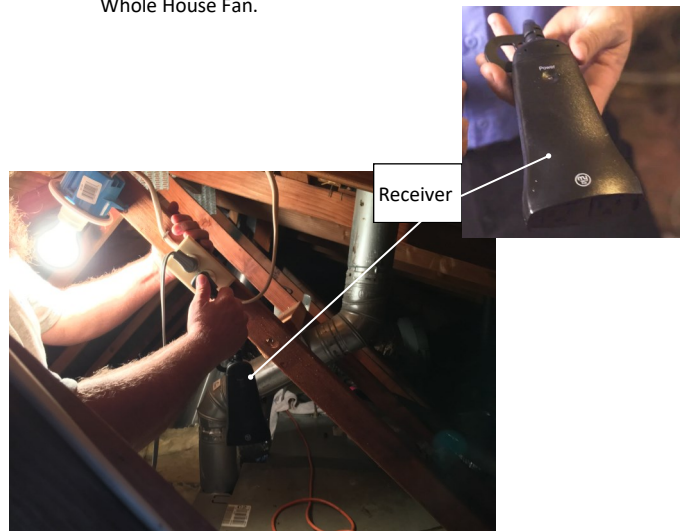
20

Install Strapping  
Use a custom length of strapping material to install a center strap on the ducting to keep the ducting in an optimum curve and maximizing air flow. Fasten each side of strapping with 1.5 in. Hex Head Drill Tip Screws and Washers.



21

Install Receiver  
Plug Receiver into power outlet.  
NOTE: If no power outlet is available, consult with a qualified licensed electrician to install an appropriate power outlet for the Whole House Fan.



22

Plug Fan into Receiver



23

You can now enjoy the benefits of the Solatube Whole House Fan and enjoy the fresh cool breeze. Please refer to the Whole House Fan Operating Instructions (Part Number 930010) for operation of your new Solatube Whole House Fan.



For the most current Installation Instructions, please visit [www.solatube.com/instructions](http://www.solatube.com/instructions)  
Solatube International, Inc. | 2210 Oak Ridge Way | Vista, CA 92081-8341 | [www.solatube.com](http://www.solatube.com) | T: 888.SOLATUBE



Solatube International, Inc.,  
2210 Oak Ridge Way, Vista CA 92081-8341  
Phone (800) 966-7652 • Fax (760) 599-5181  
[www.solatube.com](http://www.solatube.com) Part No. 941365 v1.3